



Owner's Manual Supplement

www.SeaFoxBoats.com

SEA FOX BOAT'S DISCLAIMER

The following Owner's Manual is provided for information and educational purposes only and is not intended to offer or provide legal advice or create a contractual relationship between Sea Fox Boat Company and the owner of any Sea Fox brand vessel. Please beware that as a vessel owner you have non-delegable responsibilities regarding the safety, maintenance, fitness, and operation of your vessel and the extent of such responsibilities is ultimately determined by Federal law and regulations, the general maritime law of the United States, the laws and regulations of the states and territories of the United States, or the laws and regulations of the country where you operate your vessel. To fully understand your responsibilities as a vessel owner, and before operating or letting any third-party operate your vessel, we recommend that you consult the services of a qualified lawyer in admiralty and maritime law.

TABLE OF CONTENTS

Introduction	3	Harness Liner w/ Kicker/Infin (P/N 6400)	15
Specifications	3	Harness ACC w/ Lenco Deutsch (P/N 6595)	16
Designated Occupant Seating	4	Trimtabs Electric Switch Standard (P/N 2895) – Optional	17
Plumbing Schematics	5	Harness Mood LT w/ Deutsch (P/N 6128) – Optional.	18
Avenger Fresh Water System	5	Harness Stereo Infinity Con (P/N 6129) – Optional.	19
Avenger Fuel System.	6	Harness Underwater Lt w/ Deutsch (P/N 6133) – Optional	20
Avenger Livewell System.	7	Harness Windlass Hull Aft Battery (P/N 6134) – Optional	21
Avenger Mister System	8	Harness Windlass Deck Option (P/N 6135) – Optional.	22
Avenger Raw Water System	9	Electric Flush-Discharge Switch Panel (P/N 6136) – Optional	23
Avenger Waste System	10	U Panel Switch Ultima (P/N 6463) – Optional.	24
Avenger Bilge System	11	Center Console Ultima Top – 2016 (P/N 6463, 6464 and 6476) – Optional	25
Avenger Drains	12	Electric Flush Switch Panel (P/N 6870) – Optional.	26
Electrical Schematics	13	Head Harness ORB 249AV (P/N 6871) – Optional	27
Typical 2-Battery Setup with Transom	13		
Panel Switch Deutsch (P/N 6114)	14		



This Page Intentionally Left Blank

INTRODUCTION

Congratulations and Welcome Aboard! With so many boat brands to choose from, we want to congratulate you on your decision to choose Sea Fox Boats. For more than 24 years, Sea Fox offers the finest hand-crafted saltwater boats carefully balanced with the build-quality, features, styling and performance for the fairest price. Our passion for boating is evident in every model we make and we appreciate that you've noticed the Sea Fox difference.

We share your love for the moments spent on the water with friends and family, which is why every Sea Fox boat offers a unique blend of fishing/family options, technologies and innovative features. Your choice of a Sea Fox affirms that you have performed your research and compared the value of your model with the competition.

Whether you are new to the boating lifestyle or an old salt, we ask that **you and all other operators** read the owner's manual, this supplement, and all other literature provided with the boat **before** operating the boat or any equipment. We also recommend that all operators enroll in a boating safety course available online - see References and Contact Information in this section for education resources online.

This supplement contains model-specific information not included with the owner's manual. This manual is not intended to be a replacement for specific product literature provided by engine, accessory or other major equipment manufacturers, but rather to supplement that information.

Because of our philosophy of continuous product improvement, this manual serves as a general guide only, so the specifications and illustrations used may not match the equipment on your boat and are intended only as general reference views.

We welcome you to the Sea Fox family and wish you many years of boating enjoyment!

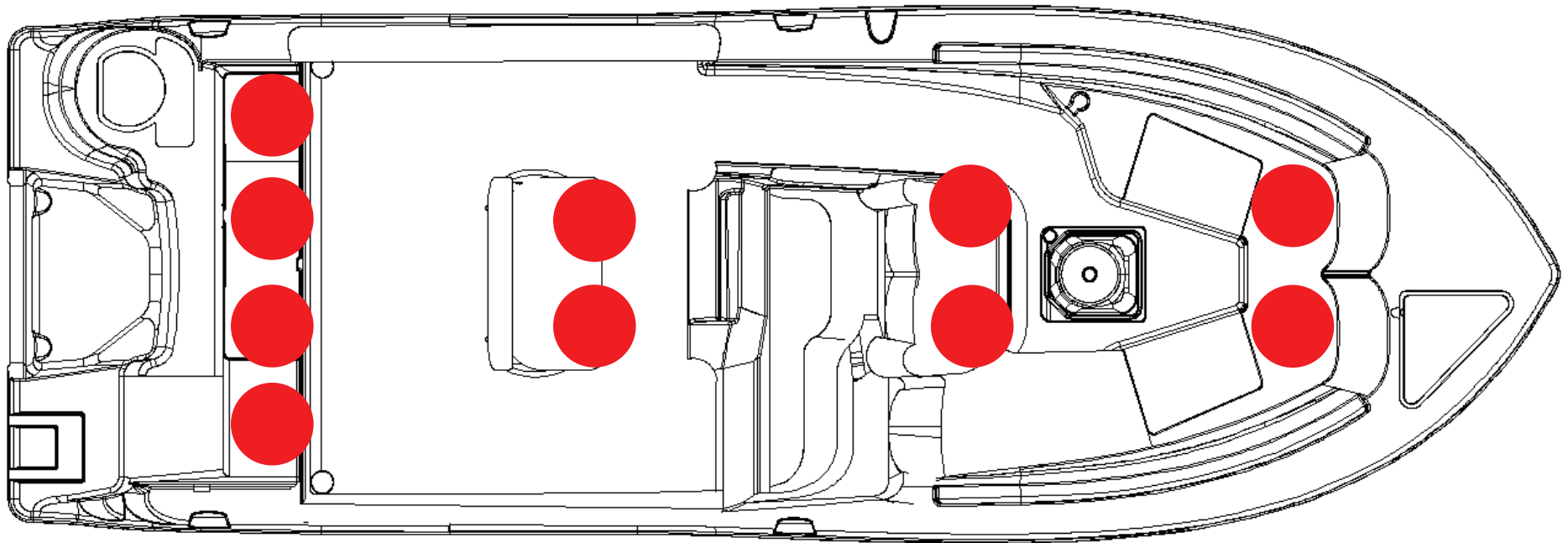
SPECIFICATIONS

Max. Weight Capacity	2500 lbs (1134 kg)
Persons	10
Persons Weight	1500 lbs (680 kg)
Max. HP	300 hp (224 kw)
L.O.A.	24' 4" (7.41 m)
Beam	8' 6" (2.59 m)
Draft	14 in. (0.36 m)
Height, Keel to Top (Light Folded)	115 in. (2.92 m)
Bridge Clearance Hard Top	99 in. (2.51 m)
Max. Weight Boat (w/ Fluids, Largest HP)	5146 lbs (2334 kg)
Fuel Tank Capacity	117 gal (443 L)
Freshwater Tank Capacity	12 gal (45 L)
Holding Tank Capacity	12 gal (45 L)



DESIGNATED OCCUPANT SEATING

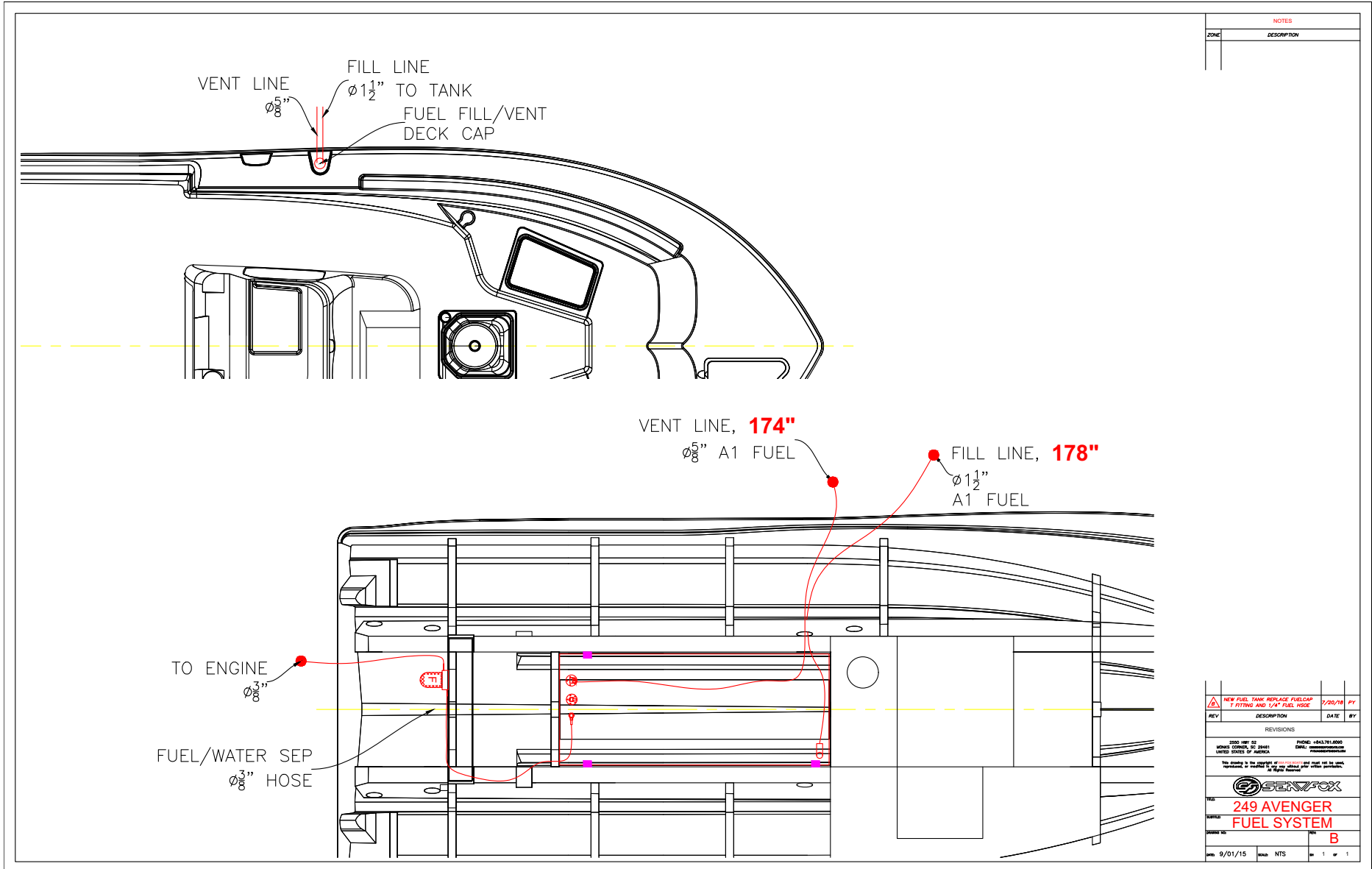
Be sure all passengers are properly seated in designated seating positions and not riding on the bow, bow pulpit, deck, gunwale or rear sun deck while underway. Passengers must use hand-holds and use caution when riding in the bow. Move to the aft passenger seats during rough water operation or if visibility is restricted.



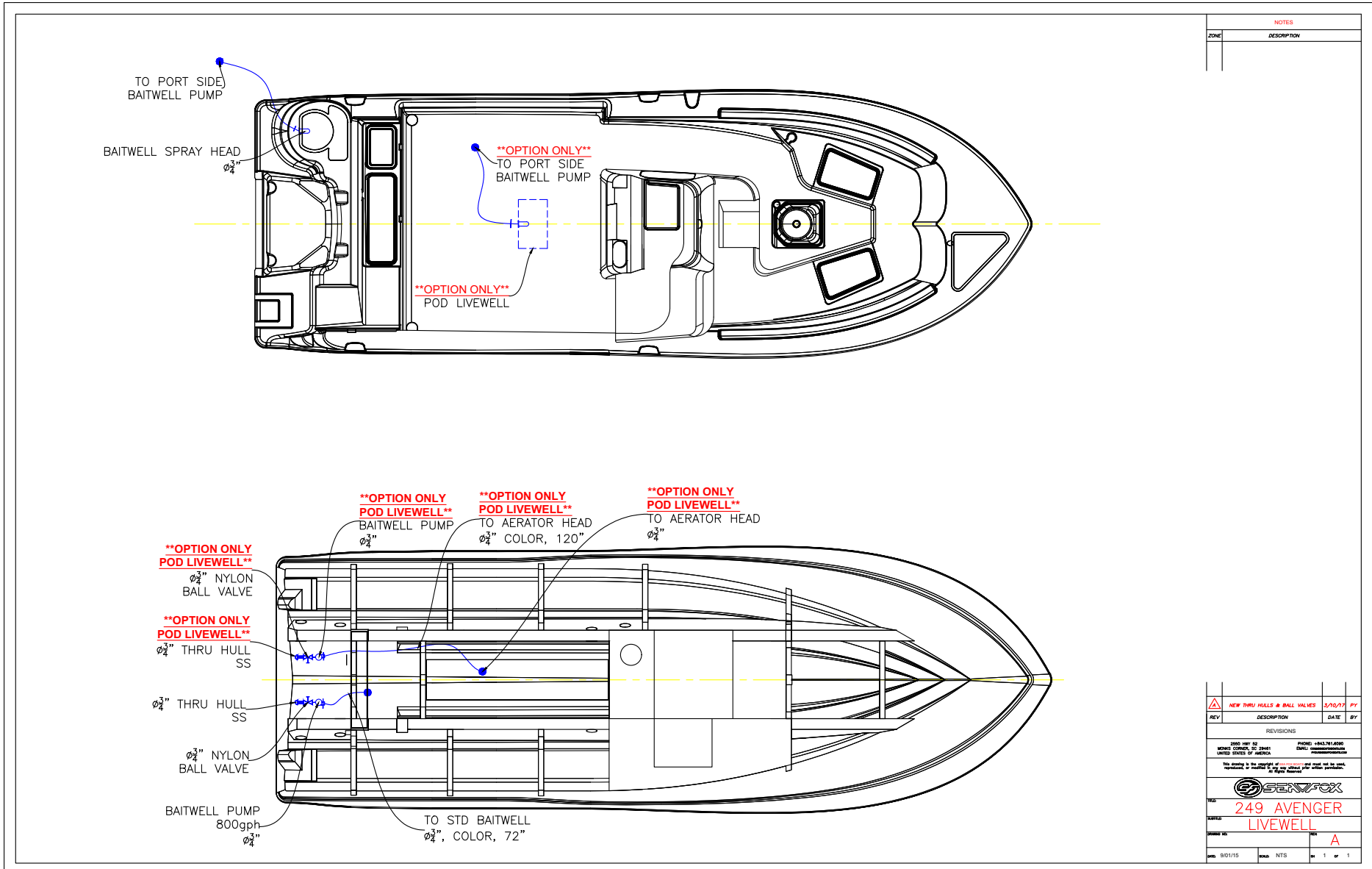
● = Seat position

SFOX-0023

AVENGER FUEL SYSTEM



AVENGER LIVEWELL SYSTEM



NOTES	
ZONE	DESCRIPTION

REV	DESCRIPTION	DATE	BY

REVISIONS	

2000 HWY 52 PHONE: +843.761.6800
 MONROE CORP., SC 29041 EMAIL: customerservice@seafox.com
 UNITED STATES OF AMERICA

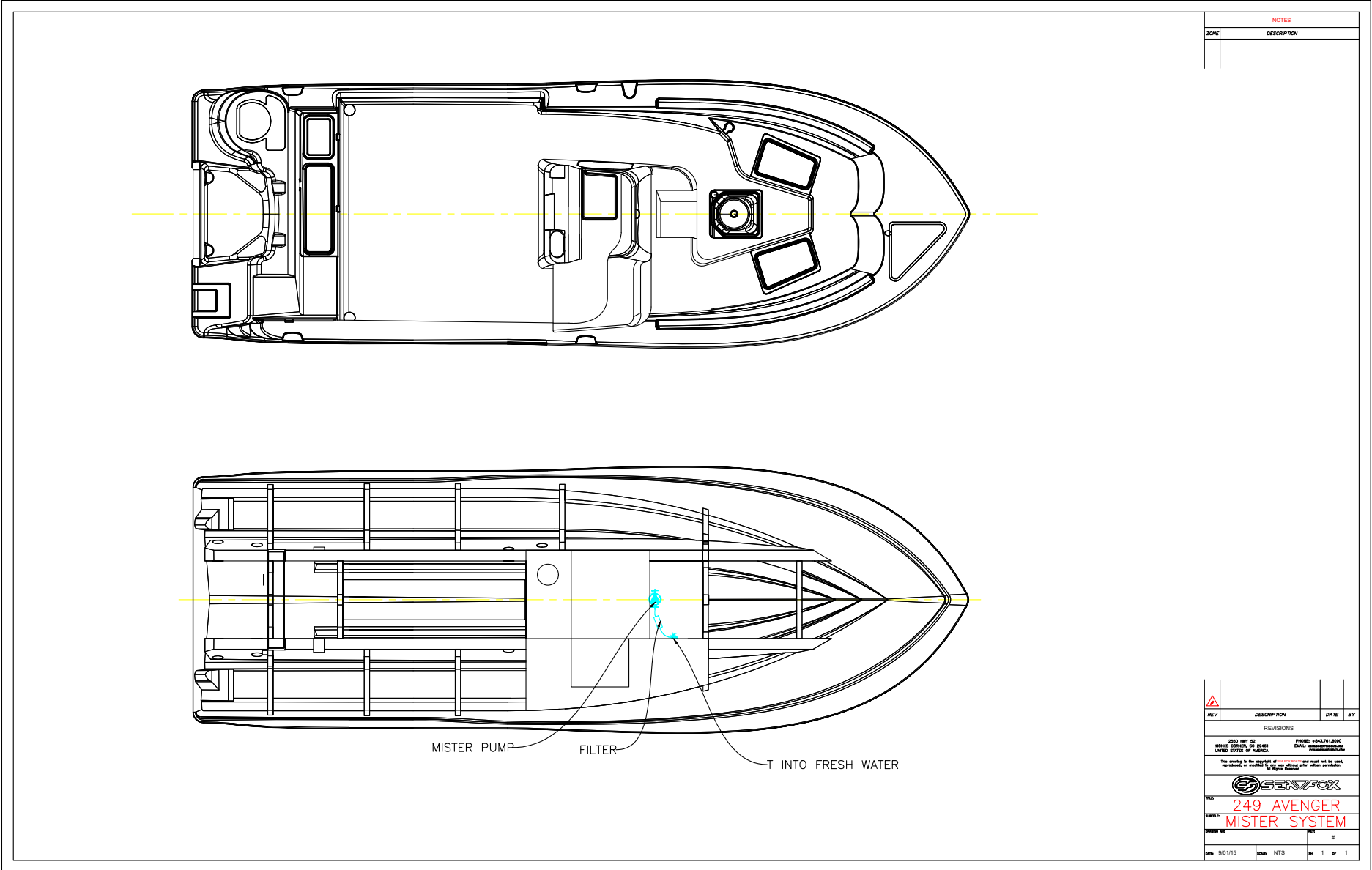
This drawing is the property of SeaFox and must not be used, reproduced or modified in any way without prior written permission. © 2015 SeaFox

249 AVENGER LIVEWELL

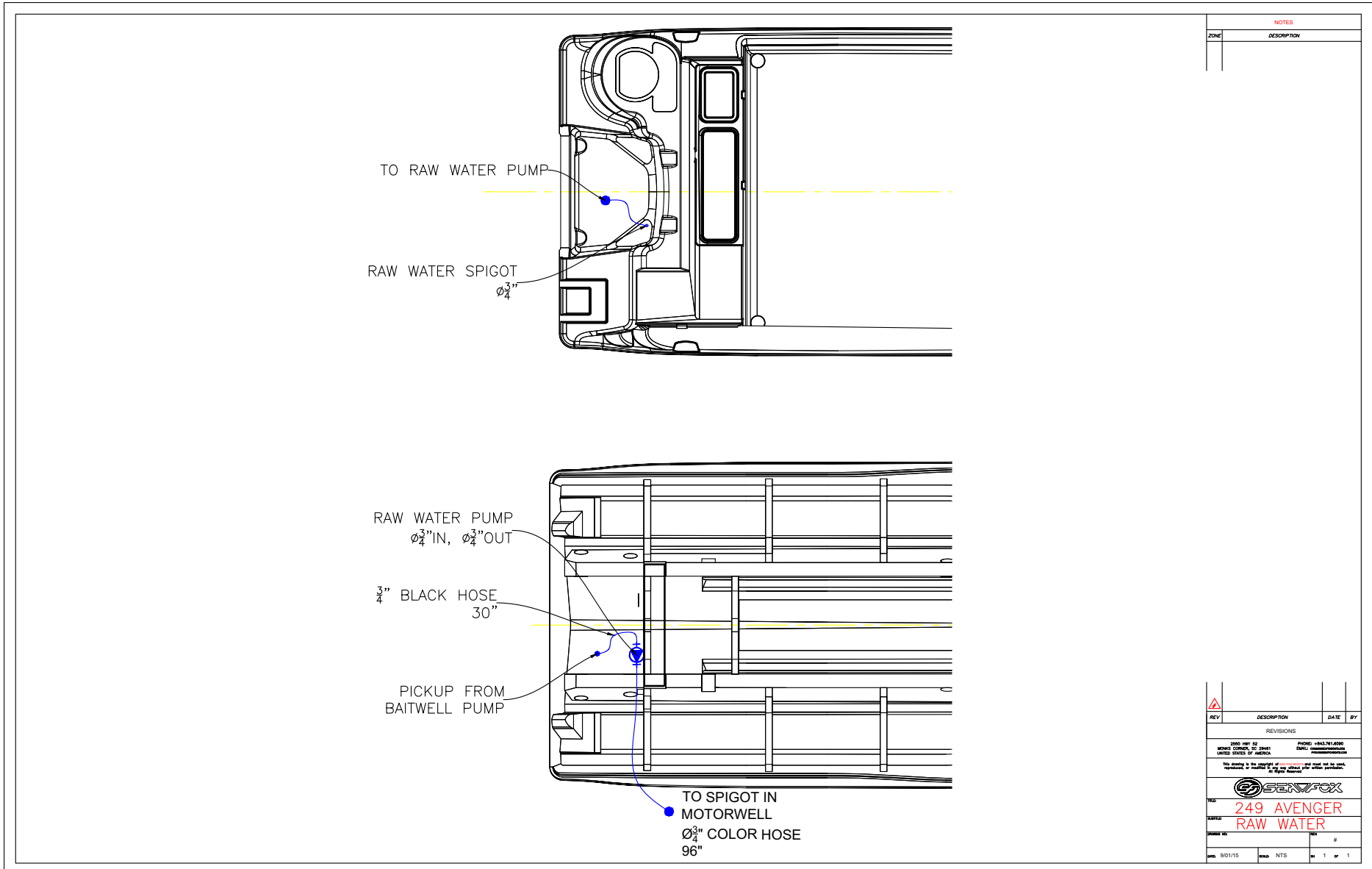
REVISED BY: **A**

DATE: 9/01/15 SCALE: NTS SHEET: 1 OF 1

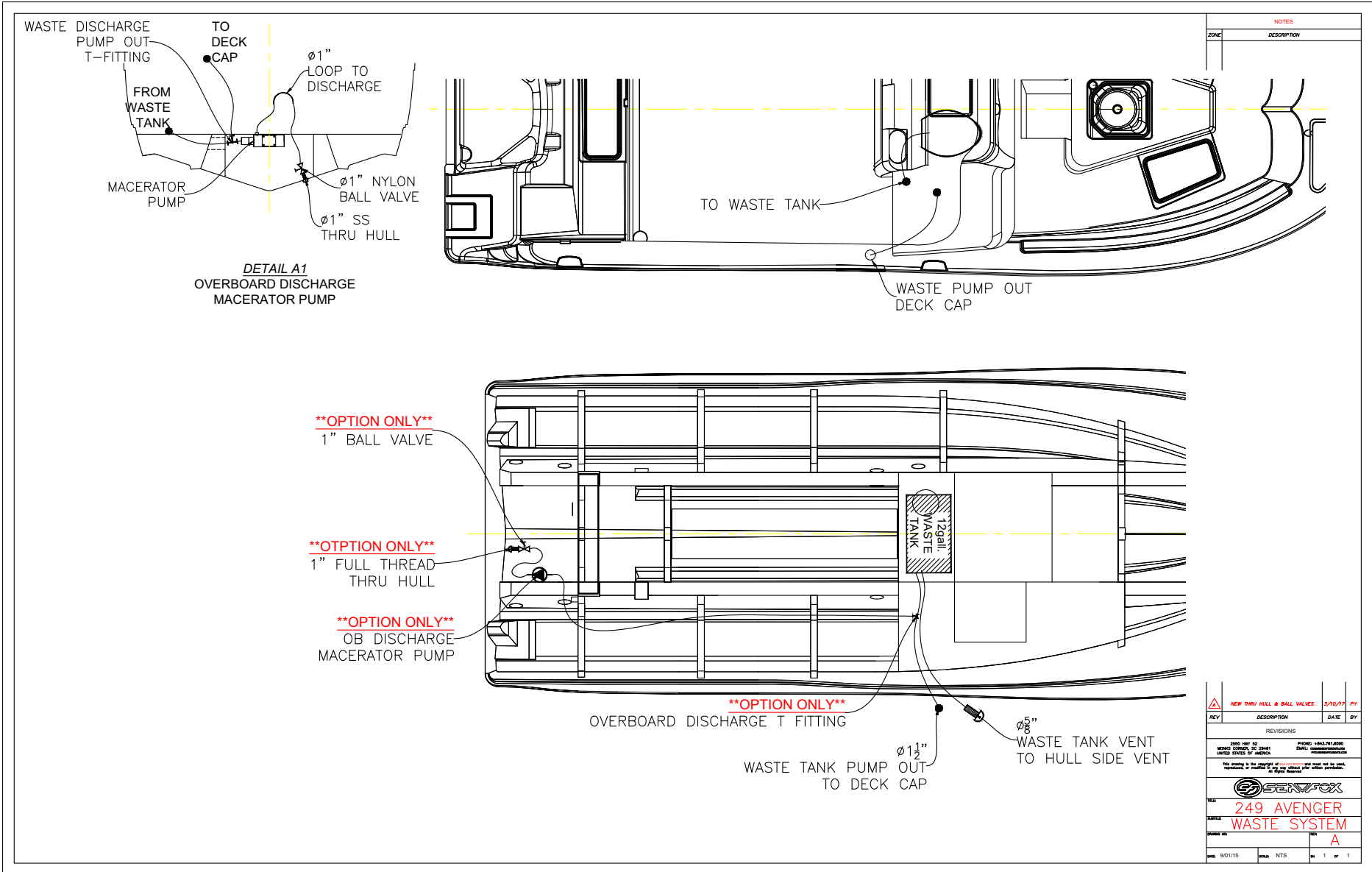
AVENGER MISTER SYSTEM



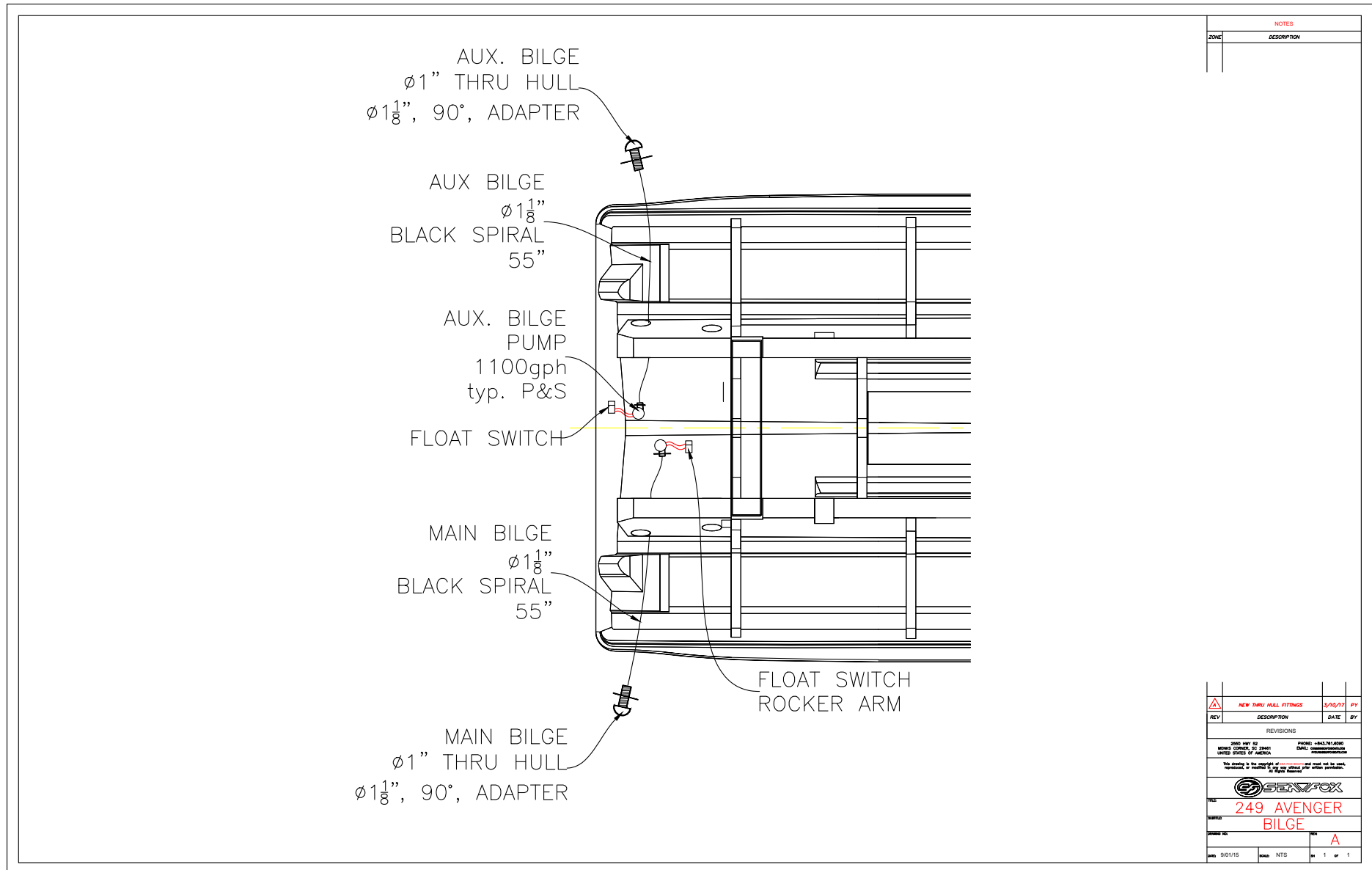
AVENGER RAW WATER SYSTEM



AVENGER WASTE SYSTEM

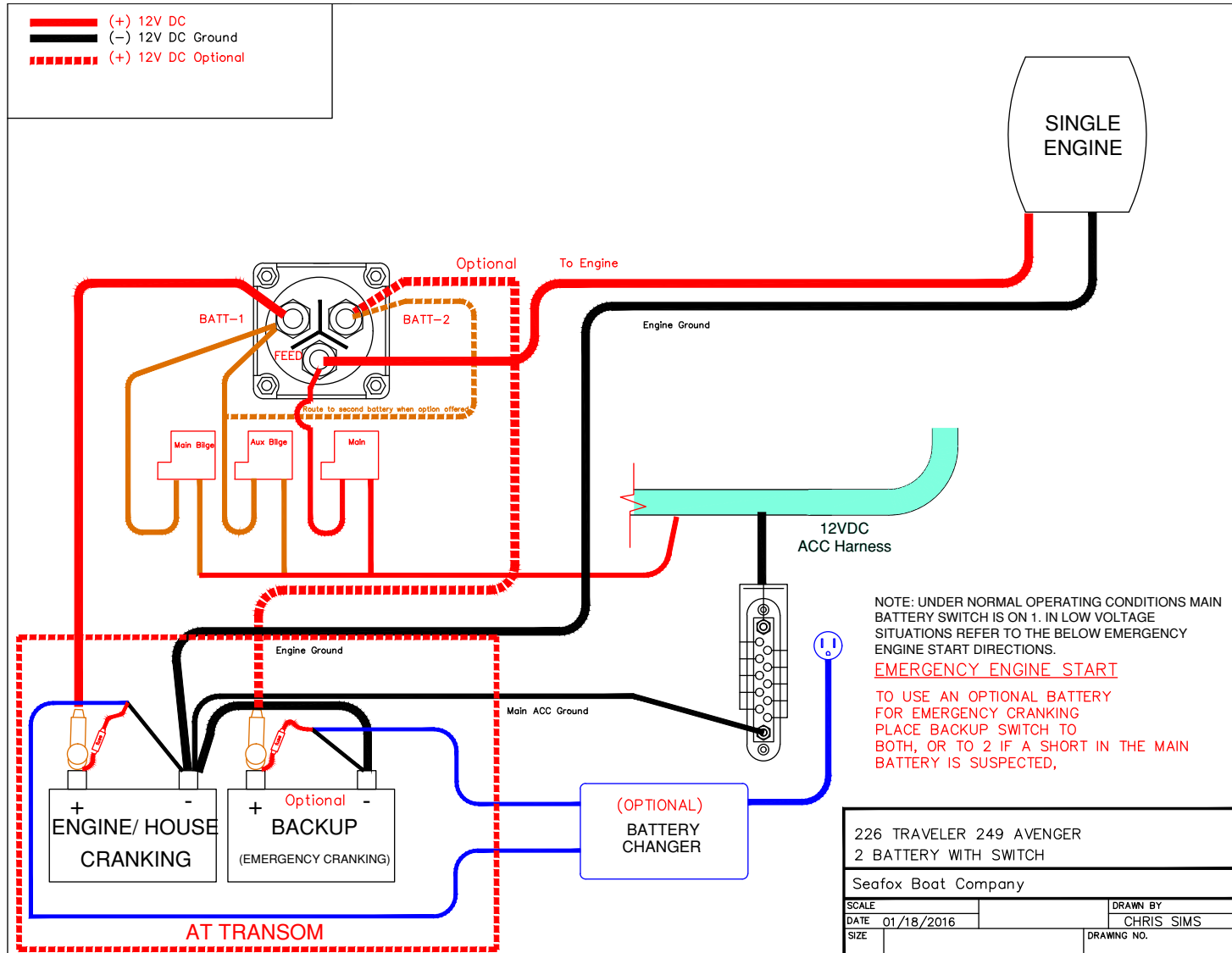


AVENGER BILGE SYSTEM



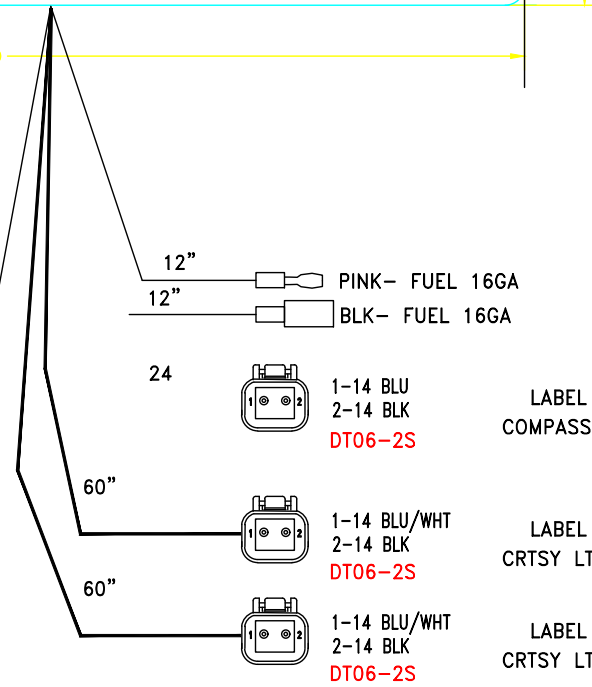
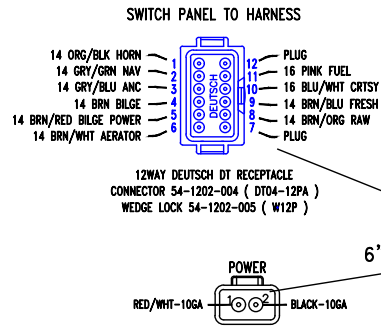
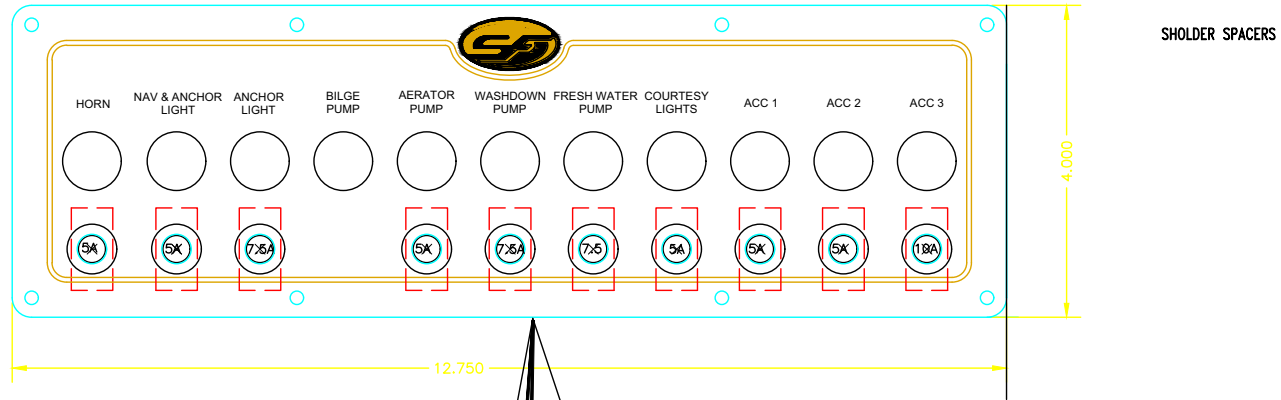
ELECTRICAL SCHEMATICS

TYPICAL 2-BATTERY SETUP WITH TRANSOM



PANEL SWITCH DEUTSCH (P/N 6114)

Start Use MY2016



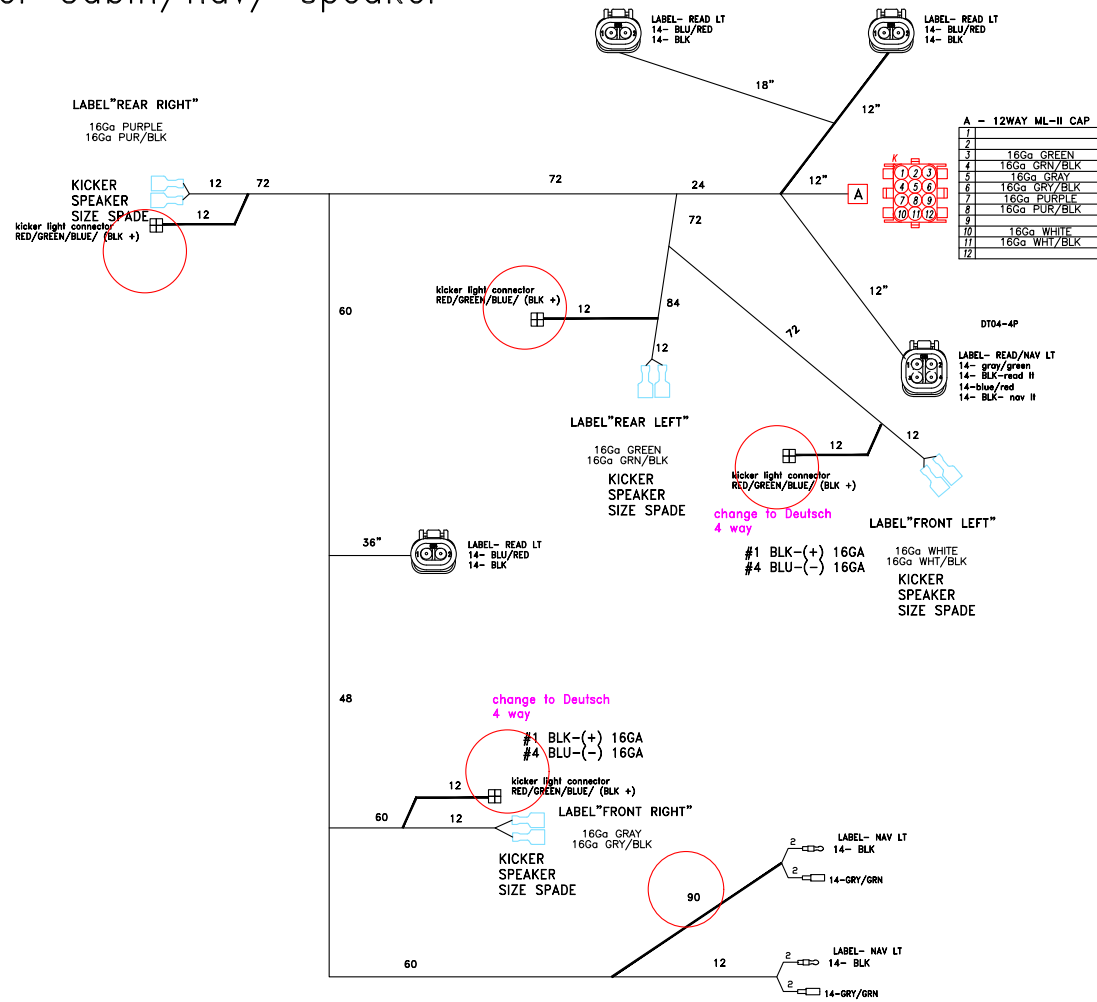
PANEL
186-206-249

ACC1- MOOD LIGHT
ACC2- UNDERWATER LT
ACC3- SPREADER LIGHT

SFX-249-80 (SEAFOX PT# 6114)

HARNES LINER W/ KICKER/INFIN (P/N 6400)

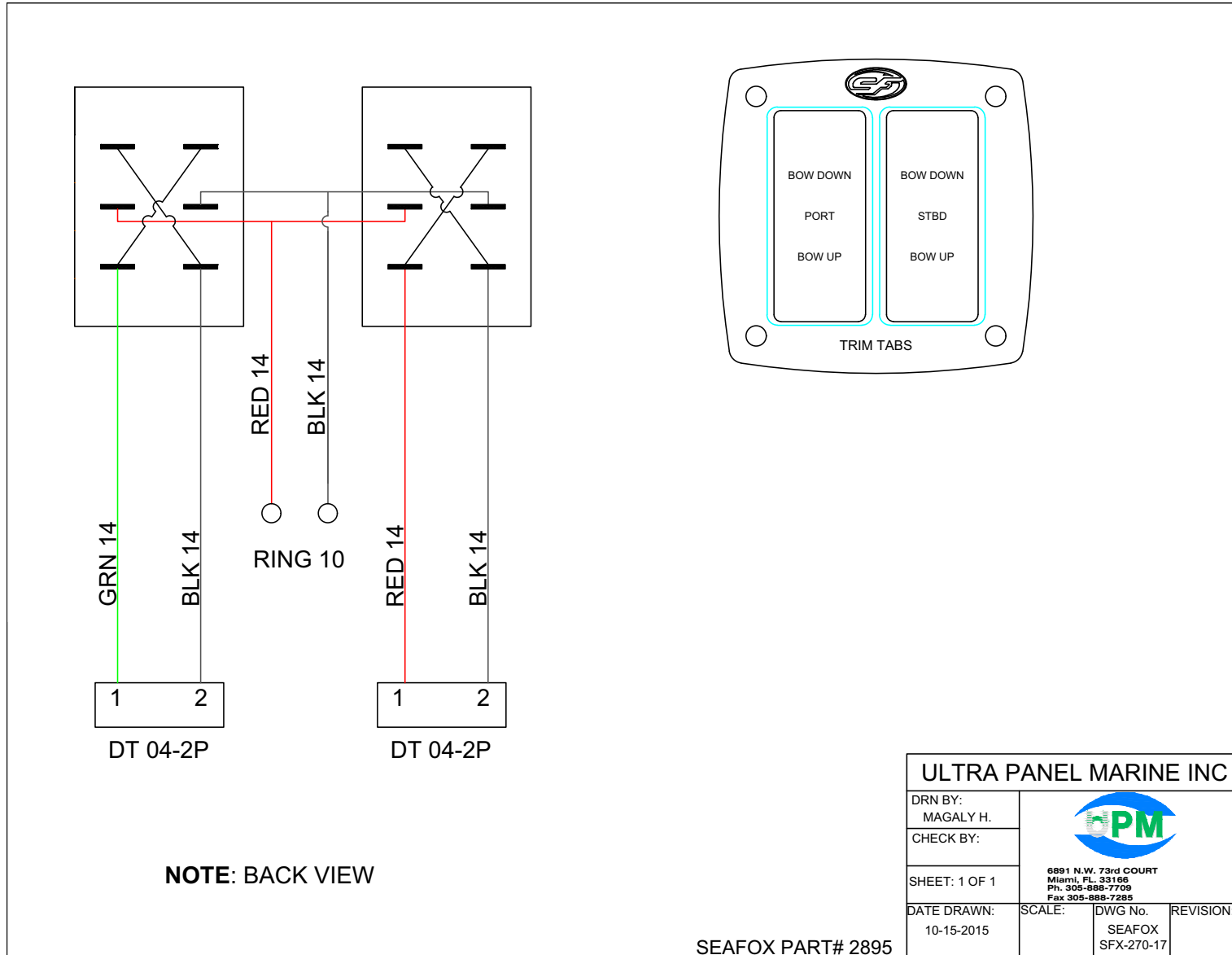
249 Avenger Cabin/nav/ speaker



sf# 6400, upm# sfx-676-10B

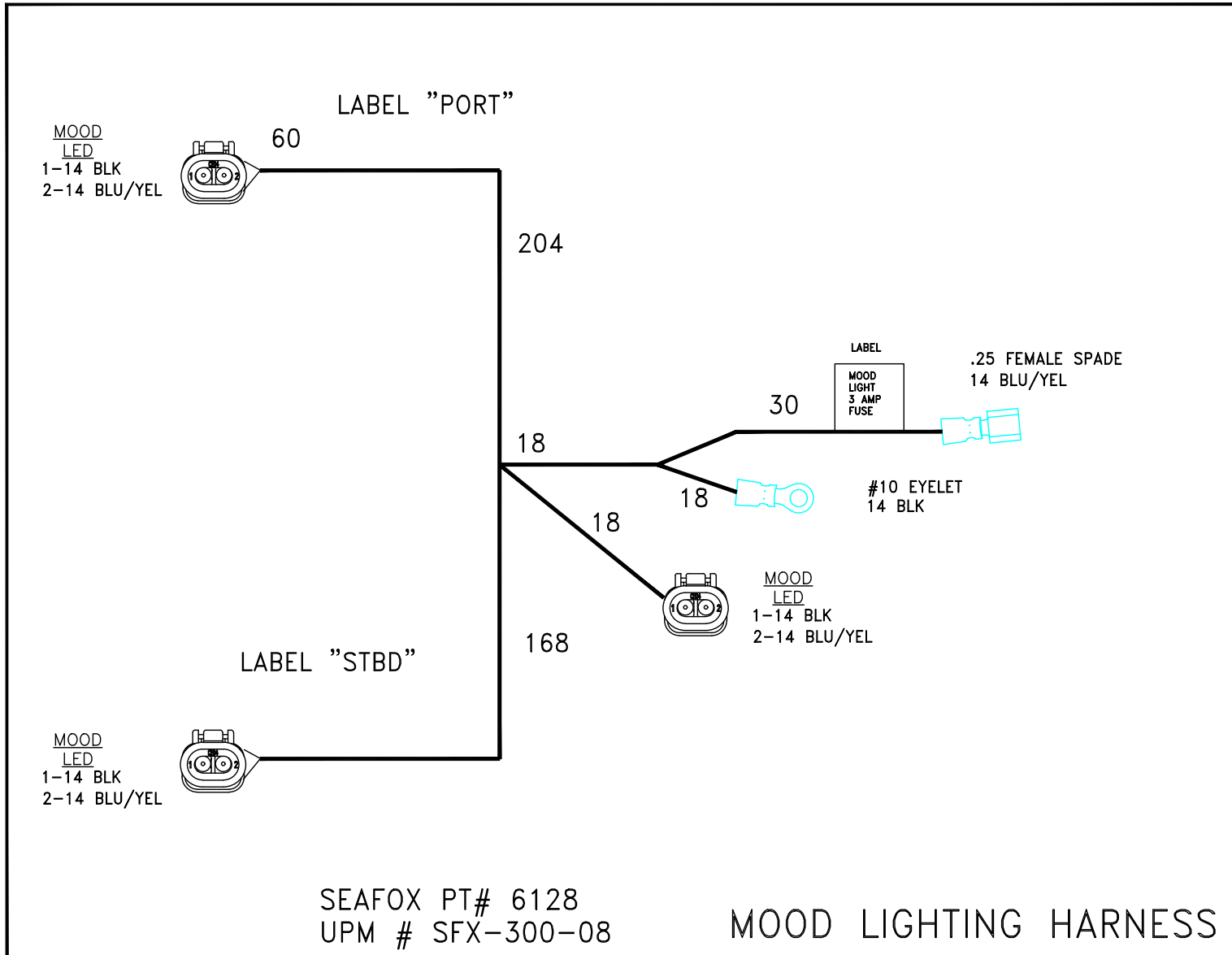
Avenger Cabin- Nav w/ kicker Harness

TRIMTABS ELECTRIC SWITCH STANDARD (P/N 2895) – OPTIONAL





HARNESS MOOD LT W/ DEUTSCH (P/N 6128) – OPTIONAL

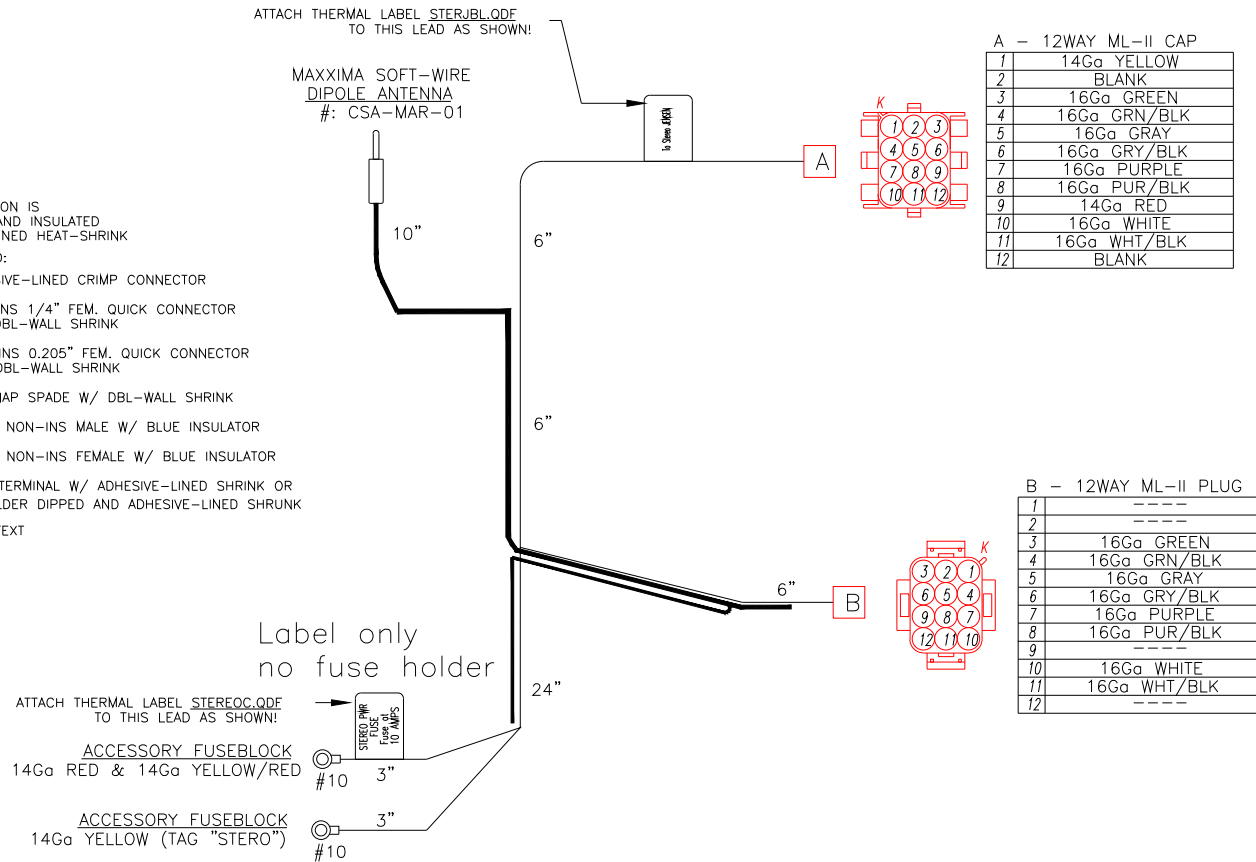


HARNES STEREO INFINITY CON (P/N 6129) – OPTIONAL

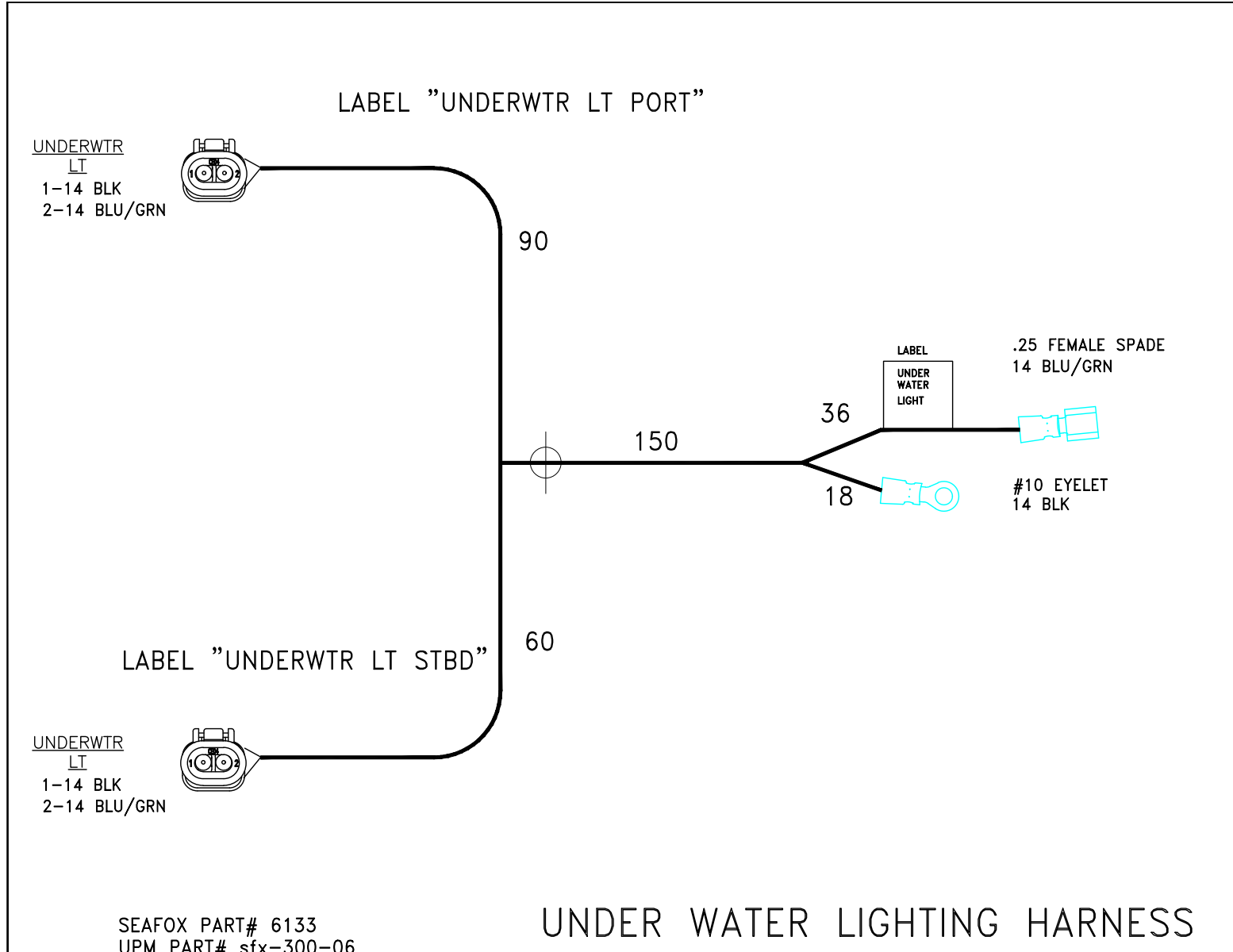
CUSTOMER SEAFOX BOAT CO. W/O # _____
 PART # 6129 UPM# SFX-300-09 DUE DATE _____
 FILENAME _____ MODEL ALL MODELS
 DESCRIPTION HARNES STEREO INFINITY/JENSEN

NOTES:

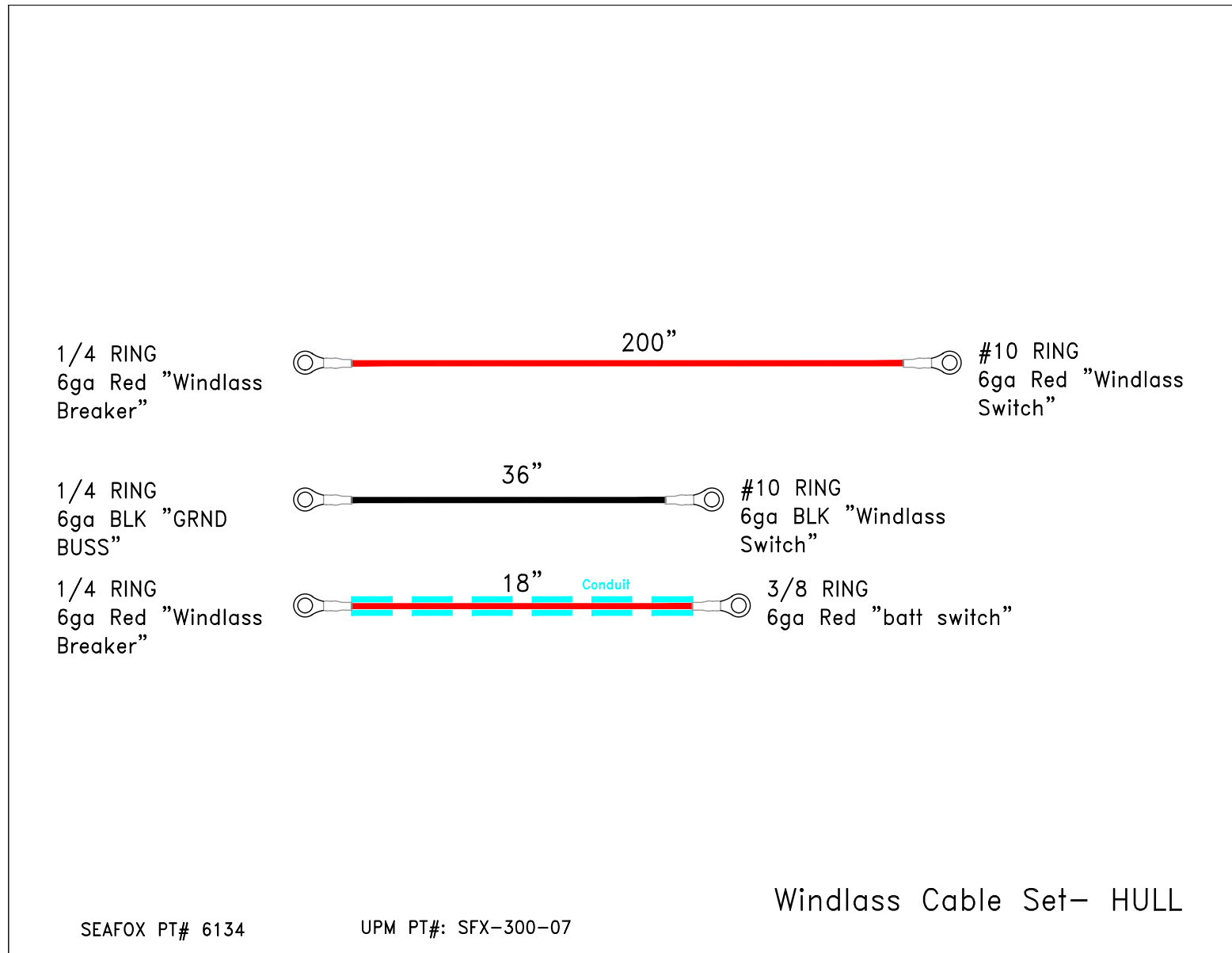
- (1) SPLICE CONNECTION IS SOLDER DIPPED AND INSULATED WITH ADHESIVE-LINED HEAT-SHRINK
- (2) TERMINAL LEGEND:
 - = ADHESIVE-LINED CRIMP CONNECTOR
 - = NON-INS 1/4" FEM. QUICK CONNECTOR W/ DBL-WALL SHRINK
 - = NON-INS 0.205" FEM. QUICK CONNECTOR W/ DBL-WALL SHRINK
 - = #8 SNAP SPADE W/ DBL-WALL SHRINK
 - = 0.156 NON-INS MALE W/ BLUE INSULATOR
 - = 0.156 NON-INS FEMALE W/ BLUE INSULATOR
 - = RING TERMINAL W/ ADHESIVE-LINED SHRINK OR SOLDER DIPPED AND ADHESIVE-LINED SHRUNK
- (3) " " = TAGGING TEXT



HARNESS UNDERWATER LT W/ DEUTSCH (P/N 6133) – OPTIONAL

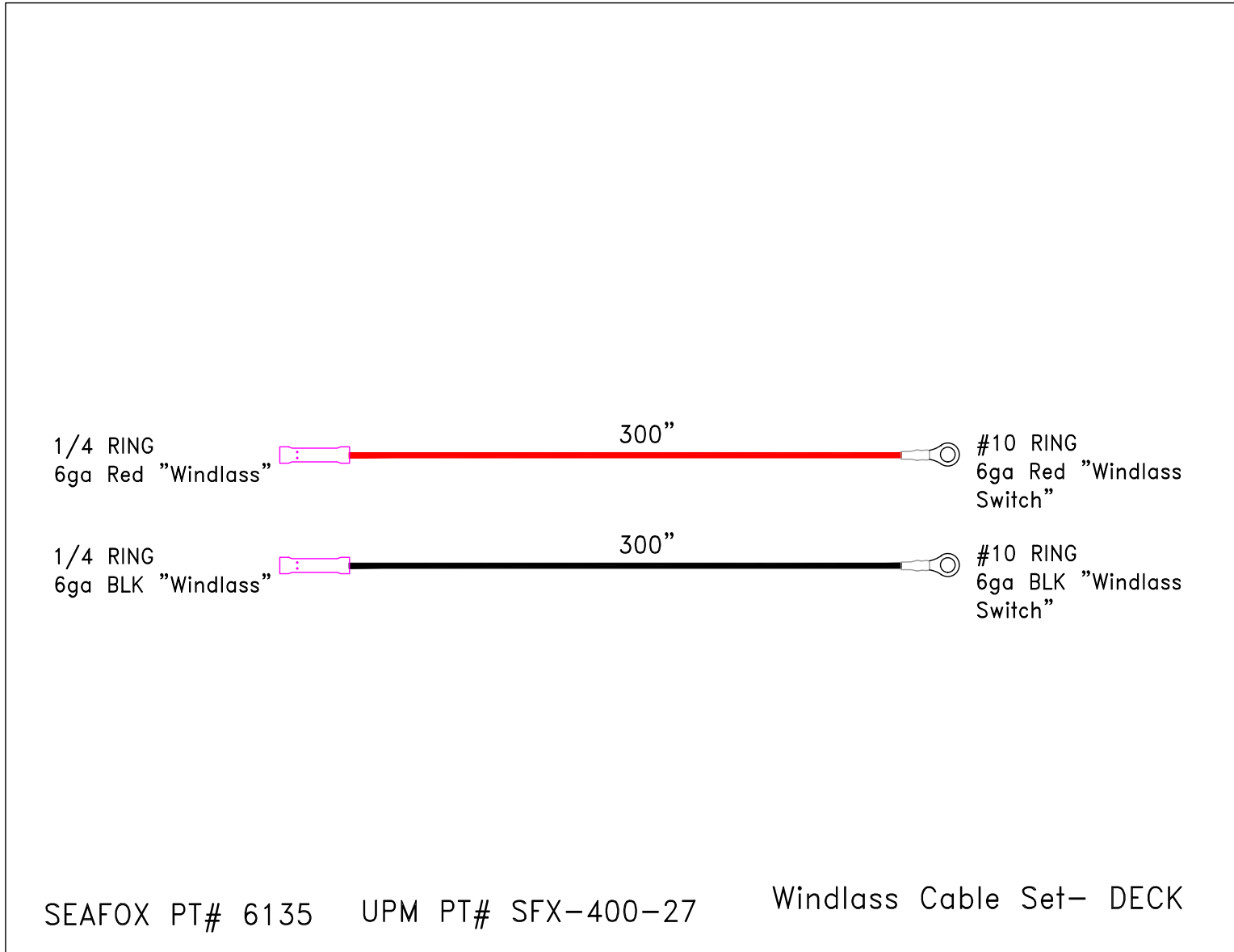


HARNESS WINDLASS HULL AFT BATTERY (P/N 6134) – OPTIONAL

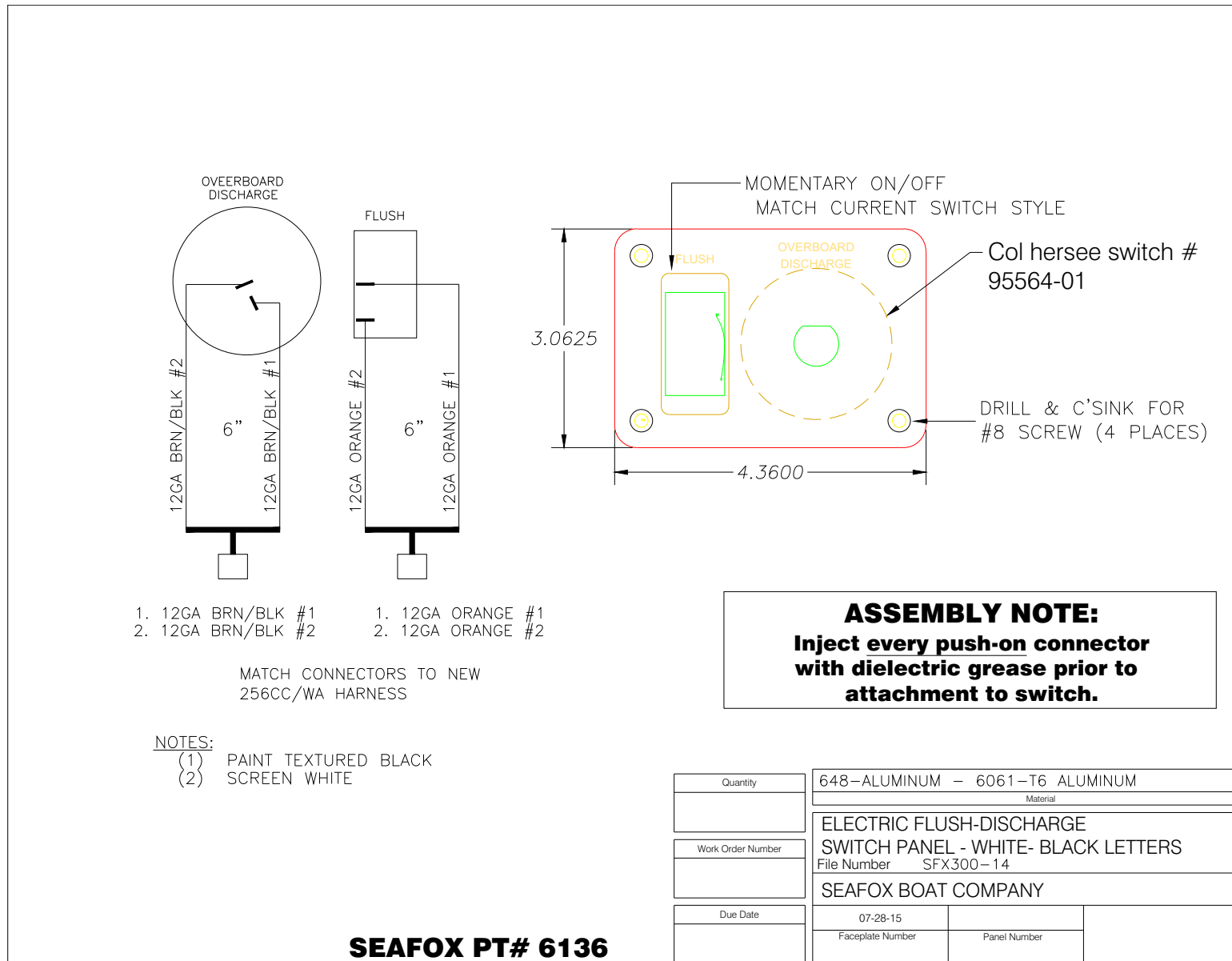




HARNESS WINDLASS DECK OPTION (P/N 6135) – OPTIONAL



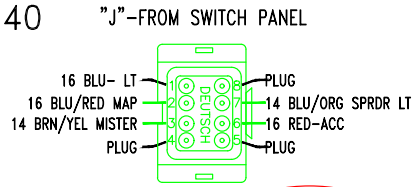
ELECTRIC FLUSH-DISCHARGE SWITCH PANEL (P/N 6136) – OPTIONAL



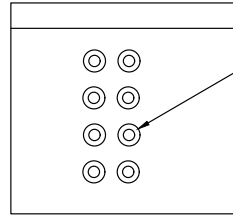
U PANEL SWITCH ULTIMA (P/N 6463) – OPTIONAL

SEAFOX PT# 6463
UPM PT# SFX-600-40

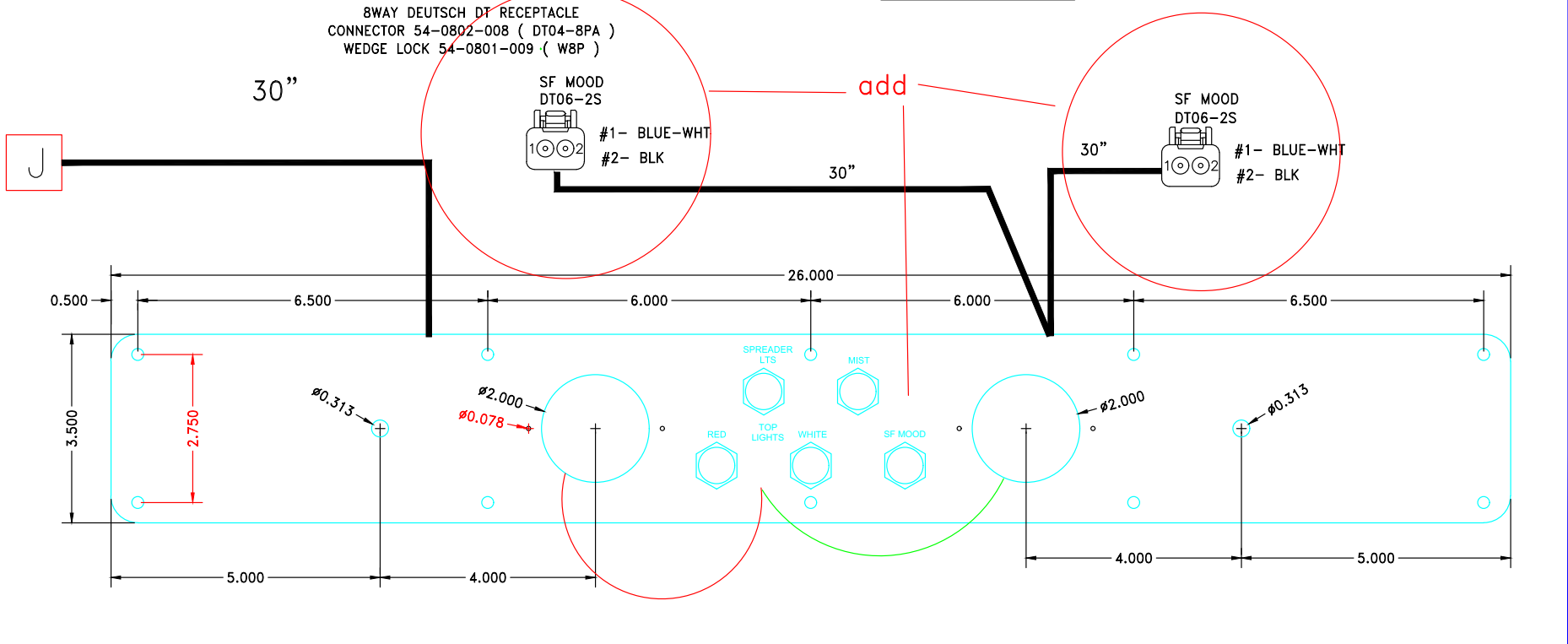
3 OF 3



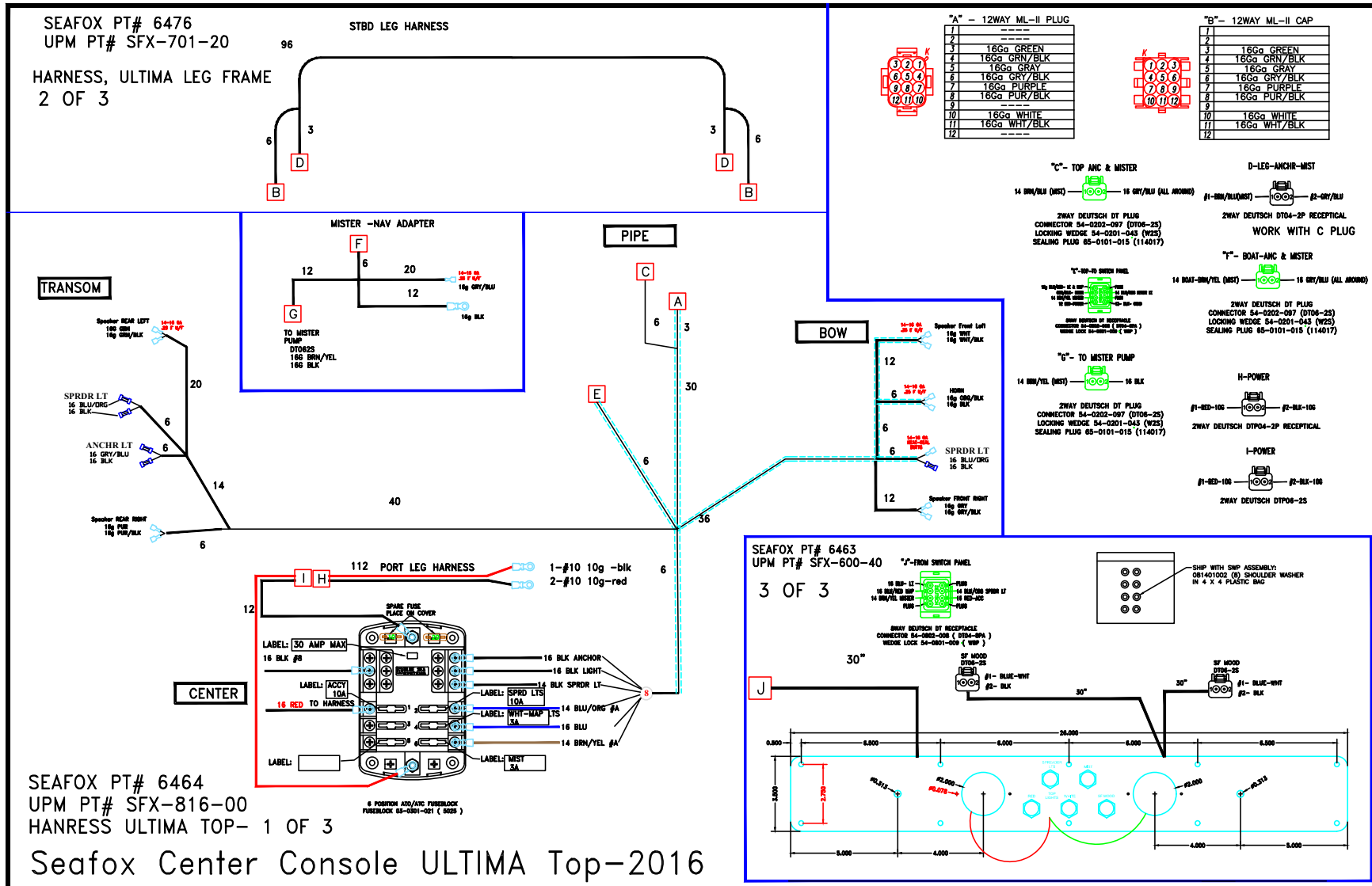
8WAY DEUTSCH DT RECEPTACLE
CONNECTOR 54-0802-008 (DT04-8PA)
WEDGE LOCK 54-0801-009 (W8P)



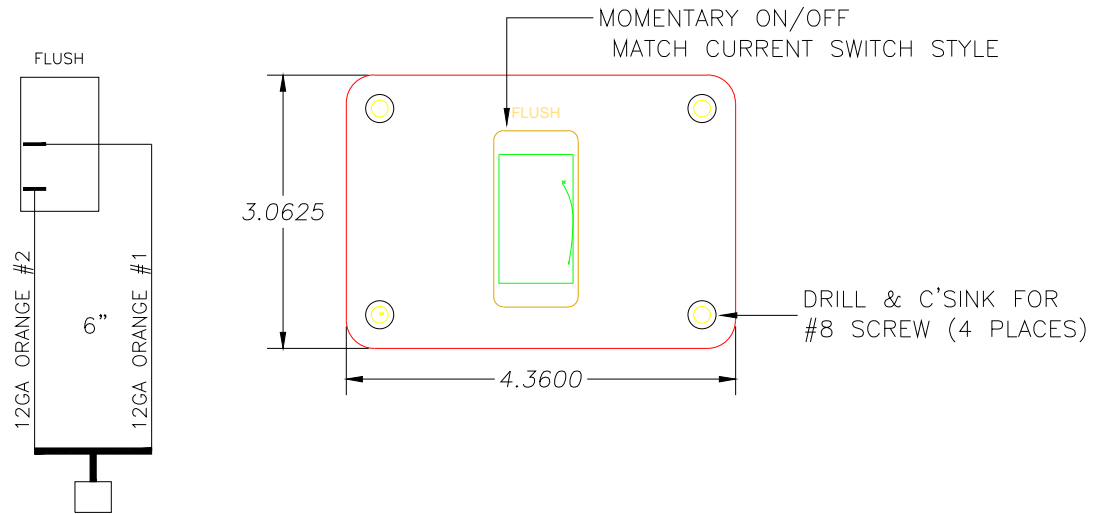
SHIP WITH SWP ASSEMBLY:
081401002 (8) SHOULDER WASHER
IN 4 X 4 PLASTIC BAG



CENTER CONSOLE ULTIMA TOP – 2016 (P/N 6463, 6464 AND 6476) – OPTIONAL



ELECTRIC FLUSH SWITCH PANEL (P/N 6870) – OPTIONAL



1. 12GA ORANGE #1
2. 12GA ORANGE #2

MATCH CONNECTORS TO NEW 256CC/WA HARNESS

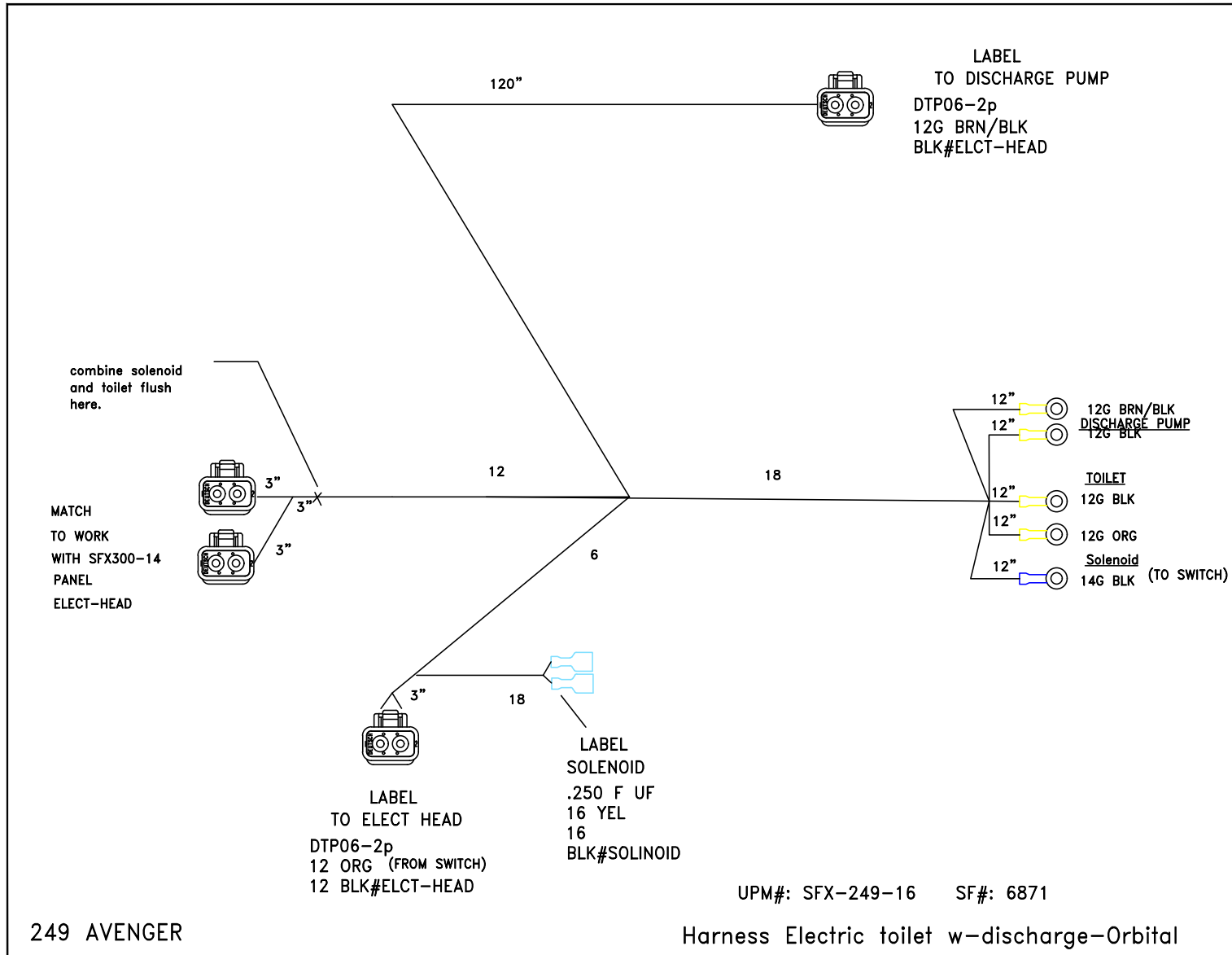
- NOTES:
- (1) PAINT TEXTURED BLACK
 - (2) SCREEN WHITE

ASSEMBLY NOTE:
Inject every push-on connector with dielectric grease prior to attachment to switch.

SF# 6870 UPM# SFX-028-11

Quantity	648-ALUMINUM - 6061-T6 ALUMINUM	
	<small>Material</small>	
Work Order Number	ELECTRIC FLUSH SWITCH PANEL - BLACK- WHITE LETTERS	
	<small>File Number</small>	
	SEAFOX BOAT COMPANY	
Due Date	07-28-15	
	<small>Faceplate Number</small>	<small>Panel Number</small>

HEAD HARNESS ORB 249AV (P/N 6871) – OPTIONAL





This Page Intentionally Left Blank



Sea Fox Boat Company, Inc.
2550 Highway 52
Moncks Corner, SC 29461-5024

Telephone: 843-761-6090
www.seafoxboats.com

Ken Cook Co.
Printed in U.S.A.
Rev 0819