



# Owner's Manual Supplement

[www.SeaFoxBoats.com](http://www.SeaFoxBoats.com)

## **SEA FOX BOAT'S DISCLAIMER**

The following Owner's Manual is provided for information and educational purposes only and is not intended to offer or provide legal advice or create a contractual relationship between Sea Fox Boat Company and the owner of any Sea Fox brand vessel. Please beware that as a vessel owner you have non-delegable responsibilities regarding the safety, maintenance, fitness, and operation of your vessel and the extent of such responsibilities is ultimately determined by Federal law and regulations, the general maritime law of the United States, the laws and regulations of the states and territories of the United States, or the laws and regulations of the country where you operate your vessel. To fully understand your responsibilities as a vessel owner, and before operating or letting any third-party operate your vessel, we recommend that you consult the services of a qualified lawyer in admiralty and maritime law.

# TABLE OF CONTENTS

Introduction . . . . .	3	Trimtabs Electrical Switch Standard (P/N 2895) – Optional . . . . .	20
Specifications . . . . .	3	Trimtabs Electrical Switch Standard (P/N 2895) – Optional (continued) . . . . .	21
Designated Occupant Seating . . . . .	4	Harness Mood Light w/Deutsch (P/N 6128) – Optional . . . . .	22
Plumbing Schematics . . . . .	5	Harness Stereo Infinity Con (P/N 6129) – Optional. . . . .	23
Commander Drains . . . . .	5	Harness Stereo Infinity Deck (P/N 6130) – Optional. . . . .	24
Commander Electric Head System . . . . .	6	Harness Underwater Light w/Deutsch (P/N 6133) – Optional . . . . .	25
Commander Fresh Water System . . . . .	7	Windlass Cable Set Deck (P/N 6135) – Optional . . . . .	26
Commander Fuel System . . . . .	8	Head Panel Switch ORB (P/N 6136) – Optional . . . . .	27
Commander Livewell System . . . . .	9	U Panel Switch Ultima (P/N 6463) – Optional. . . . .	28
Commander Raw Water System . . . . .	10	Center Console Ultima Top - 2016 (P/N 6463, 6464 and 6476) – Optional . . . . .	29
Commander Overboard Discharge System . . . . .	11	Kicker 8-Speaker Stereo Adapter Harness (P/N 6851) – Optional . . . . .	30
Commander Bilge System. . . . .	12	Harness Deck Speaker w/LED (P/N 6852) – Optional . . . . .	31
Electrical Schematics . . . . .	13	Panel (P/N 6861) – Optional . . . . .	32
Typical 2-Battery Setup in Console. . . . .	13	Electric Flush Switch Panel (P/N 6870) – Optional . . . . .	33
Panel Switch Shroud (P/N 6512). . . . .	14	Harness Electric Toilet and Discharge – Orbital Toilet (P/N 6874) – Optional . . . . .	34
Harness ACC w/ Lenco Deutsch (P/N 6593). . . . .	15		
Harness Nav Short. . . . .	16		
Windlass Cable Set - Hull . . . . .	17		
Panel . . . . .	18		
Kicker Only 6-Speaker Harness . . . . .	19		



This Page Intentionally Left Blank

## INTRODUCTION

**Congratulations and Welcome Aboard!** With so many boat brands to choose from, we want to congratulate you on your decision to choose Sea Fox Boats. For more than 24 years, Sea Fox offers the finest hand-crafted saltwater boats carefully balanced with the build-quality, features, styling and performance for the fairest price. Our passion for boating is evident in every model we make and we appreciate that you've noticed the Sea Fox difference.

We share your love for the moments spent on the water with friends and family, which is why every Sea Fox boat offers a unique blend of fishing/family options, technologies and innovative features. Your choice of a Sea Fox affirms that you have performed your research and compared the value of your model with the competition.

Whether you are new to the boating lifestyle or an old salt, we ask that **you and all other operators** read the owner's manual, this supplement, and all other literature provided with the boat **before** operating the boat or any equipment. We also recommend that all operators enroll in a boating safety course available online - see References and Contact Information in this section for education resources online.

This supplement contains model-specific information not included with the owner's manual. This manual is not intended to be a replacement for specific product literature provided by engine, accessory or other major equipment manufacturers, but rather to supplement that information.

Because of our philosophy of continuous product improvement, this manual serves as a general guide only, so the specifications and illustrations used may not match the equipment on your boat and are intended only as general reference views.

*We welcome you to the Sea Fox family and wish you many years of boating enjoyment!*

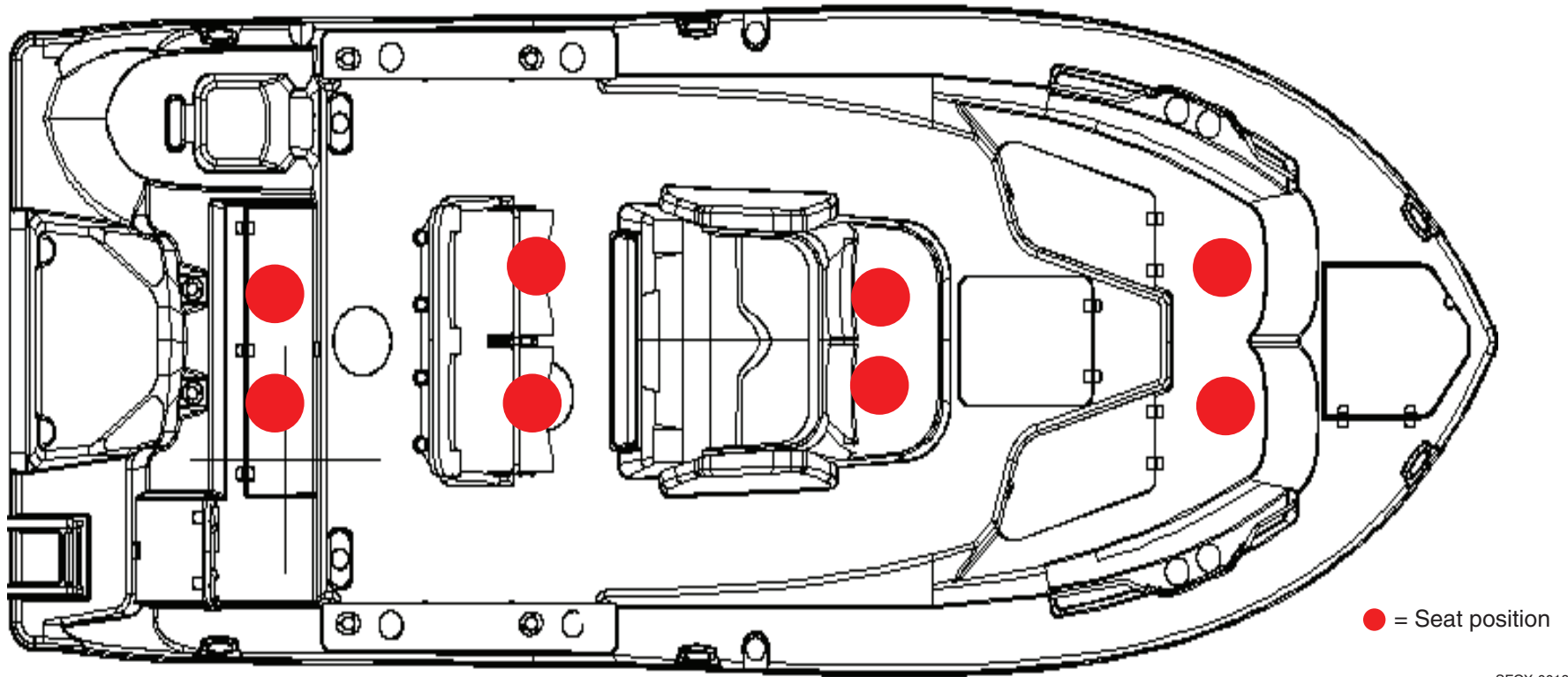
## SPECIFICATIONS

Max. Weight Capacity	2200 lbs (998 kg)
Persons	8
Persons Weight	1200 lbs (544 kg)
Max. HP	250 hp (186 kw)
L.O.A.	22' 4" (6.81 m)
Beam	8' 6" (2.59 m)
Draft	14 in. (0.36 m)
Height, Keel to Top (Light Folded)	115 in. (2.92 m)
Bridge Clearance Hard Top	99 in. (2.51 m)
Max. Weight Boat (w/ Fluids, Largest HP)	4508 lbs (2045 kg)
Fuel Tank Capacity	90 gal (341 L)
Freshwater Tank Capacity	12 gal (45 L)
Holding Tank Capacity	12 gal (45 L)



## DESIGNATED OCCUPANT SEATING

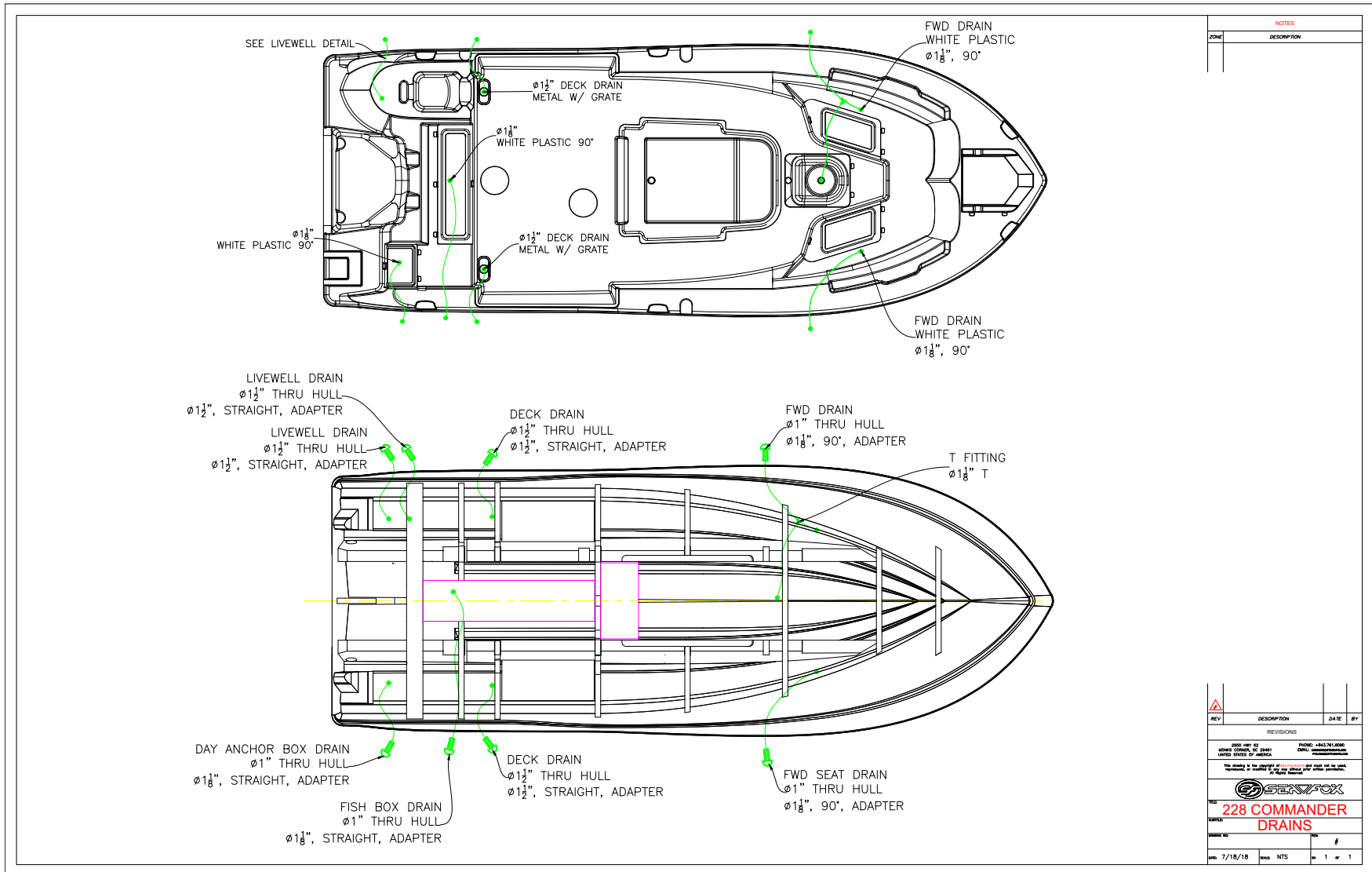
Be sure all passengers are properly seated in designated seating positions and not riding on the bow, bow pulpit, deck, gunwale or rear sun deck while underway. Passengers must use hand-holds and use caution when riding in the bow. Move to the aft passenger seats during rough water operation or if visibility is restricted.



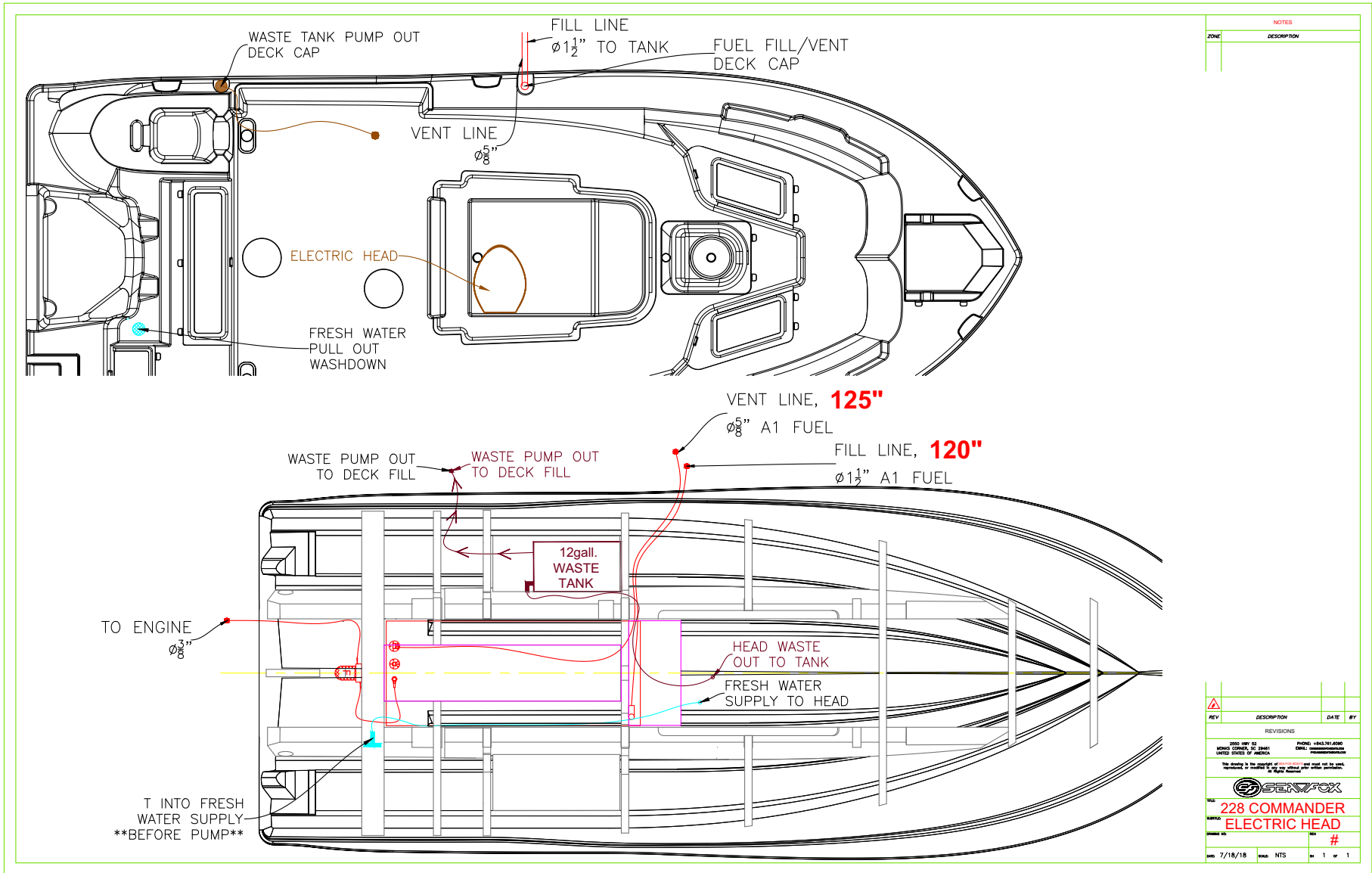
SFOX-0018

# PLUMBING SCHEMATICS

## COMMANDER DRAINS

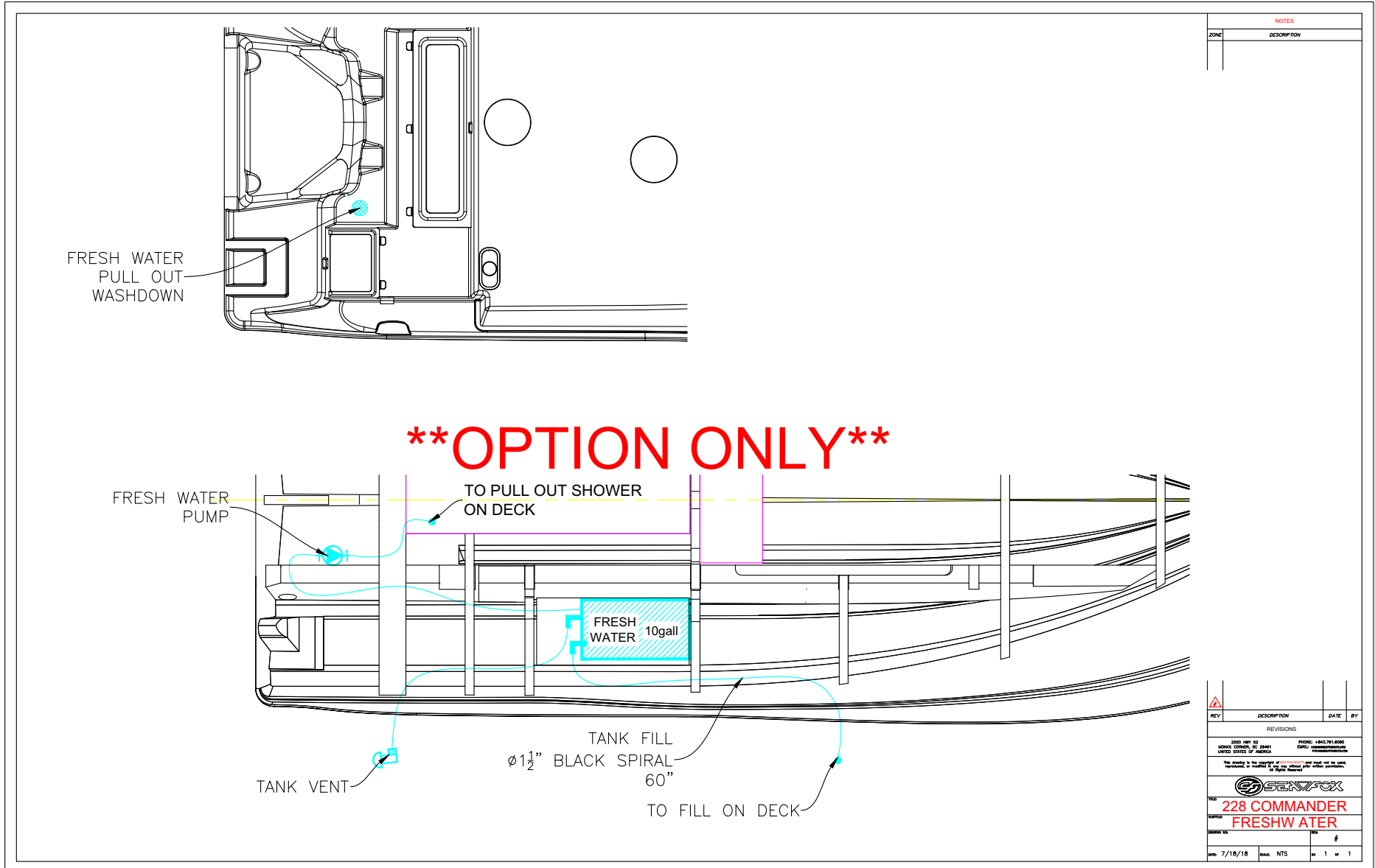


# COMMANDER ELECTRIC HEAD SYSTEM





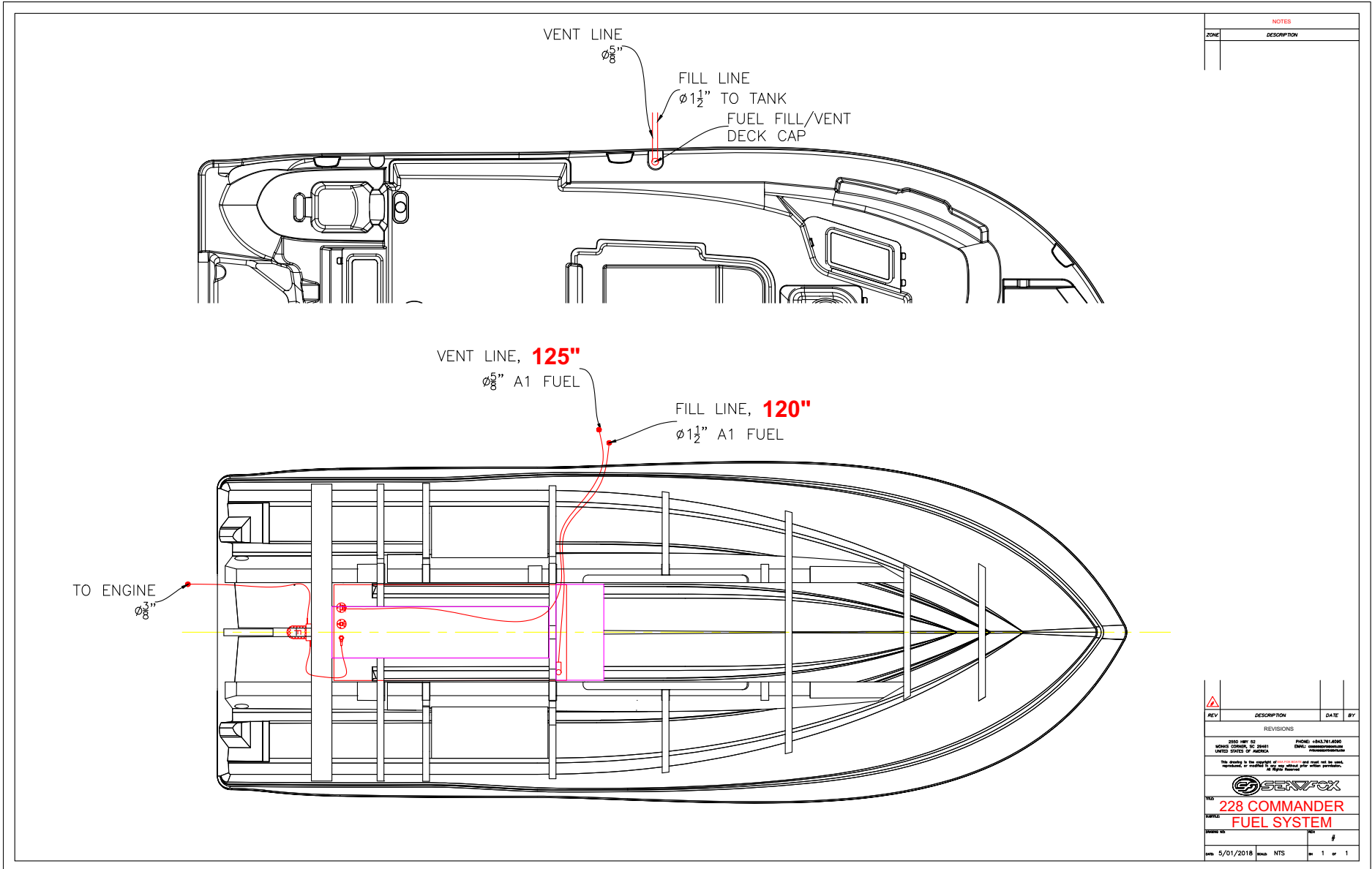
# COMMANDER FRESH WATER SYSTEM



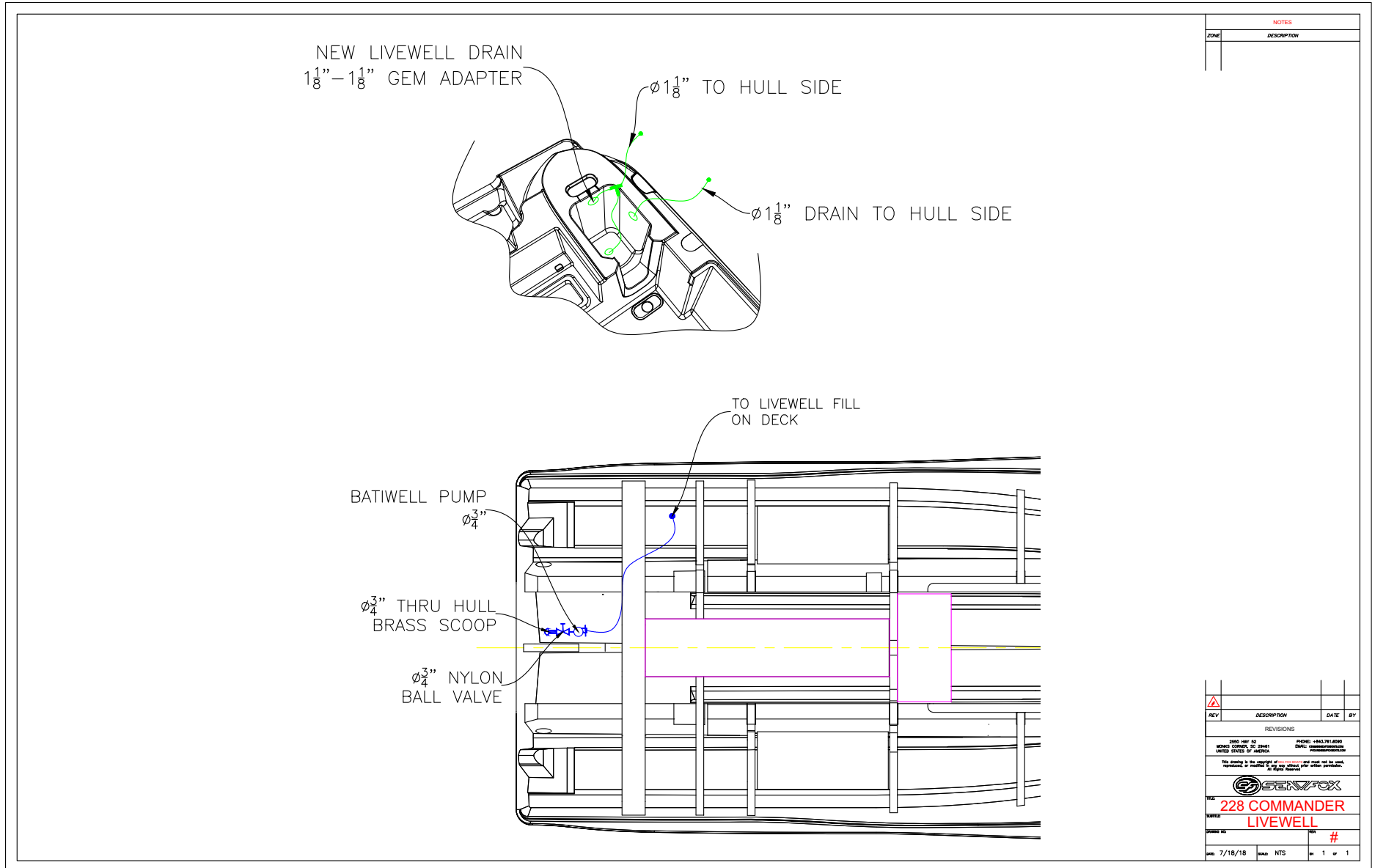
NOTES	
ZONE	DESCRIPTION

REV	DESCRIPTION	DATE	BY
REVISIONS			
<small>3500 HWY 52 PHONE: +843.761.6000            SEAFox BOATS, INC. 29941 FAX: +843.761.6000            UNITED STATES OF AMERICA</small>			
<small>This drawing is the property of SeaFoxBoats, Inc. and shall not be loaned, reproduced or modified in any way without the written consent of SeaFoxBoats, Inc.</small>			
<b>228 COMMANDER FRESHWATER</b>			
DATE	REV	#	
7/18/18	NTS	1 of 1	

# COMMANDER FUEL SYSTEM



# COMMANDER LIVEWELL SYSTEM



NOTES	
ZONE	DESCRIPTION

REV	DESCRIPTION	DATE	BY

REVISIONS

2000 HWY 52 PHONE: +843.761.6800  
 MONROE CORP., SC 29645 FAX: +843.761.6800  
 UNITED STATES OF AMERICA

This drawing is the property of SeaFox and must not be used, reproduced or modified in any way without prior written permission. All Rights Reserved.

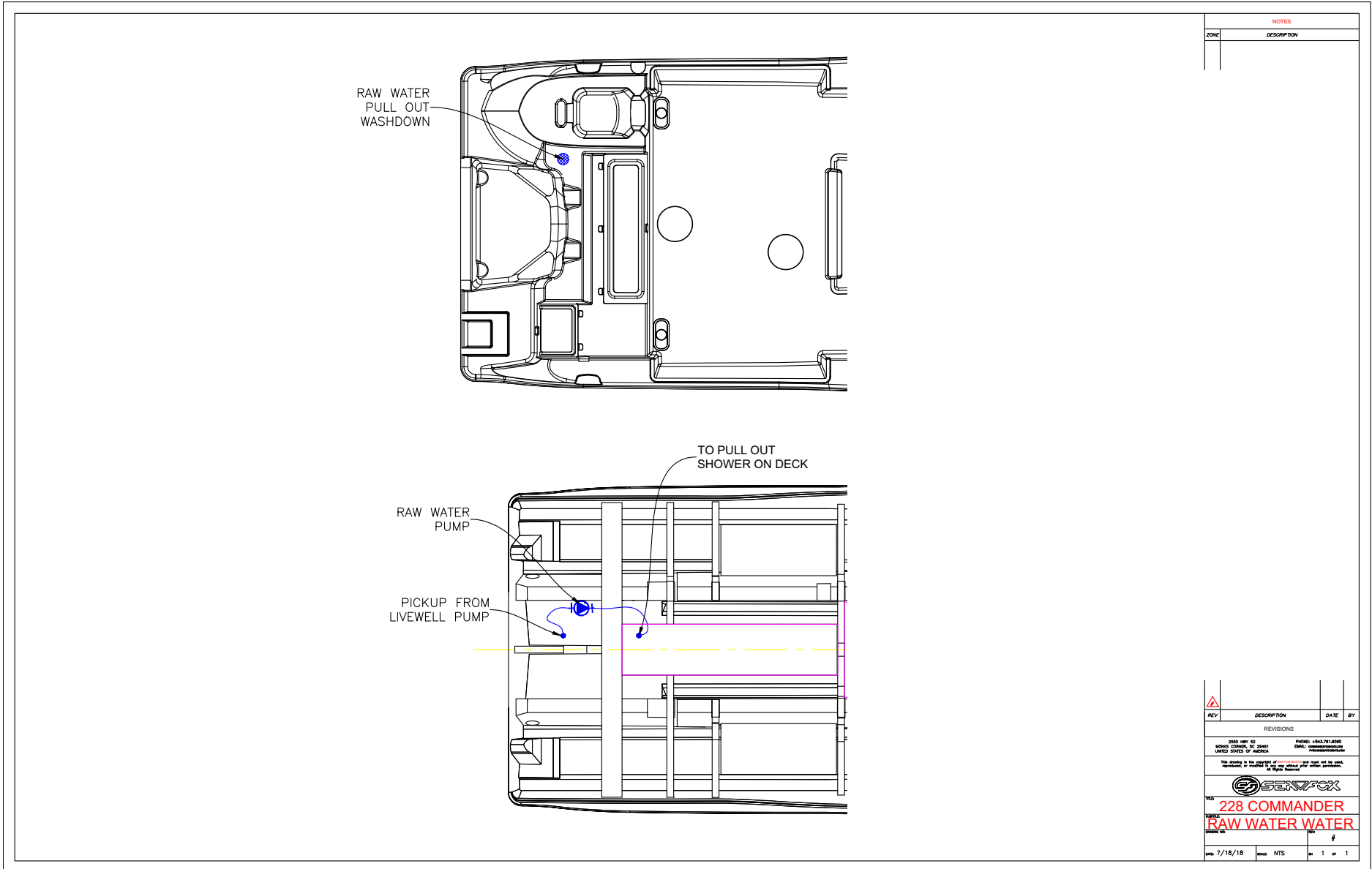
TITLE: **228 COMMANDER LIVEWELL**

DATE: 7/18/18

SCALE: INTS

PAGE: 1 of 1

# COMMANDER RAW WATER SYSTEM



NOTES	
ZONE	DESCRIPTION


REV	DESCRIPTION	DATE	BY

REVISIONS

DESIGNED BY: JIMMY COOPER, FC 22881  
 UNITED STATES OF AMERICA

ENGINEER: BILLY L. BROWN  
 EMAIL: bbrown@seafox.com  
 PHONE: 813-941-7100

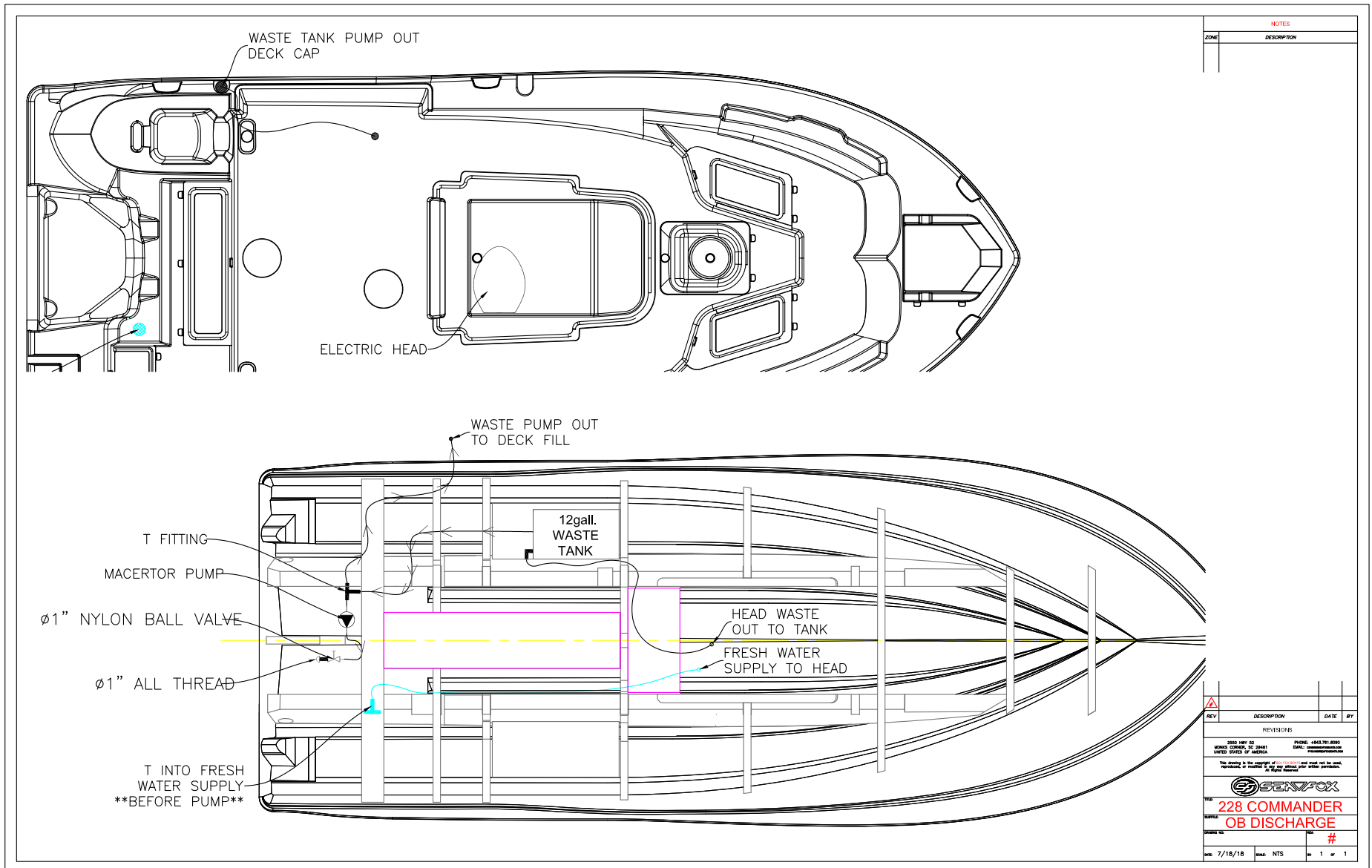
This drawing is the copyright of SeaFox and may not be used, reproduced or modified in any way without prior written permission of SeaFox.



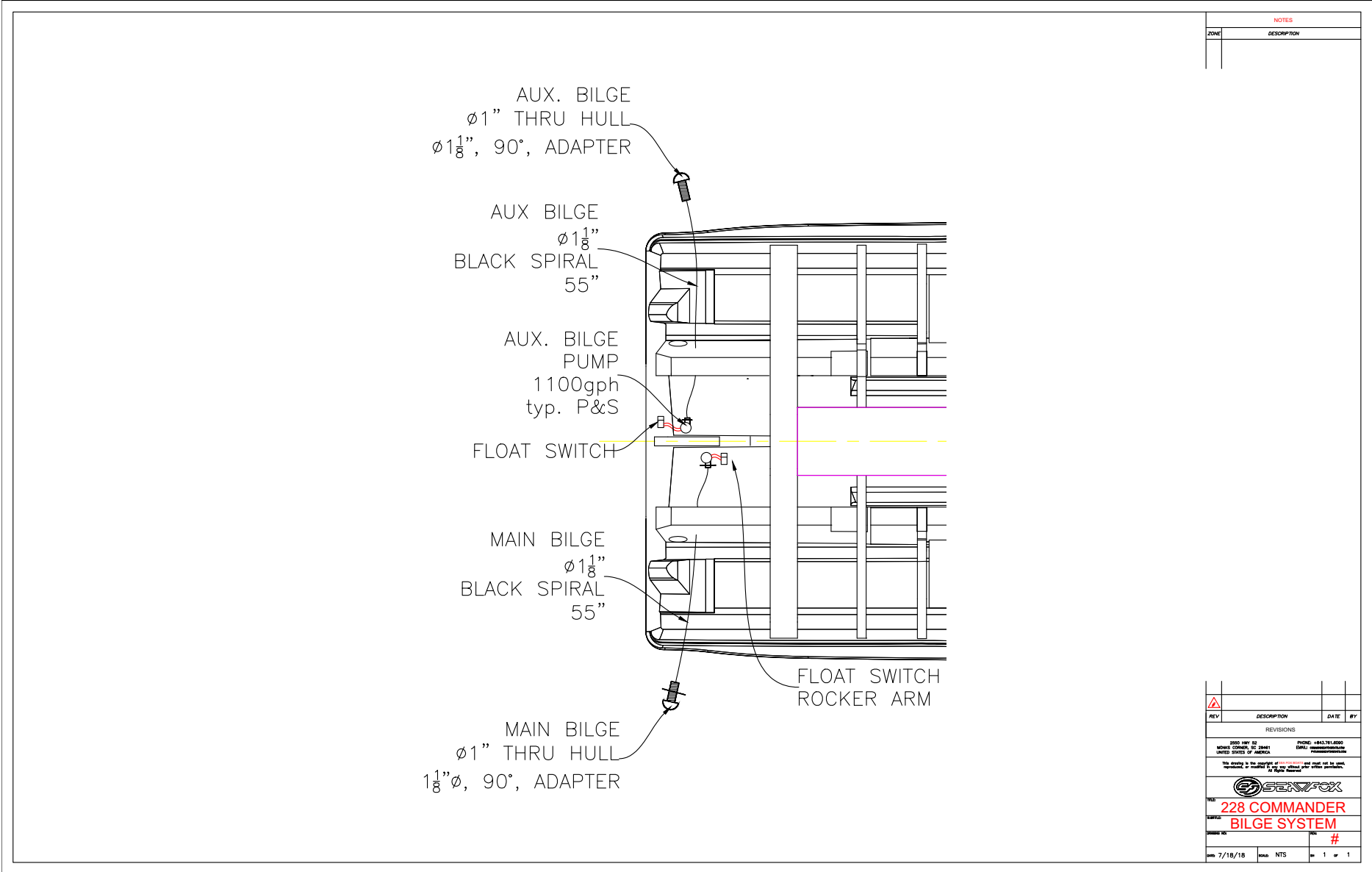
228 COMMANDER  
 RAW WATER WATER

DATE: 7/18/18    DRAWN: NTS    SHEET: 1 OF 1

# COMMANDER OVERBOARD DISCHARGE SYSTEM



### COMMANDER BILGE SYSTEM



NOTES	
ZONE	DESCRIPTION

REV	DESCRIPTION	DATE	BY

REVISIONS

1999 MAY 02 PHONE: 4843.7614000  
 2005 COMER, DC 28461 EMAIL: [mercom@seafox.com](mailto:mercom@seafox.com)  
 UNITED STATES OF AMERICA

This drawing is the property of SeaFox and must not be used, reproduced or modified in any way without prior written permission.  
 All Rights Reserved.

228 COMMANDER  
 BILGE SYSTEM

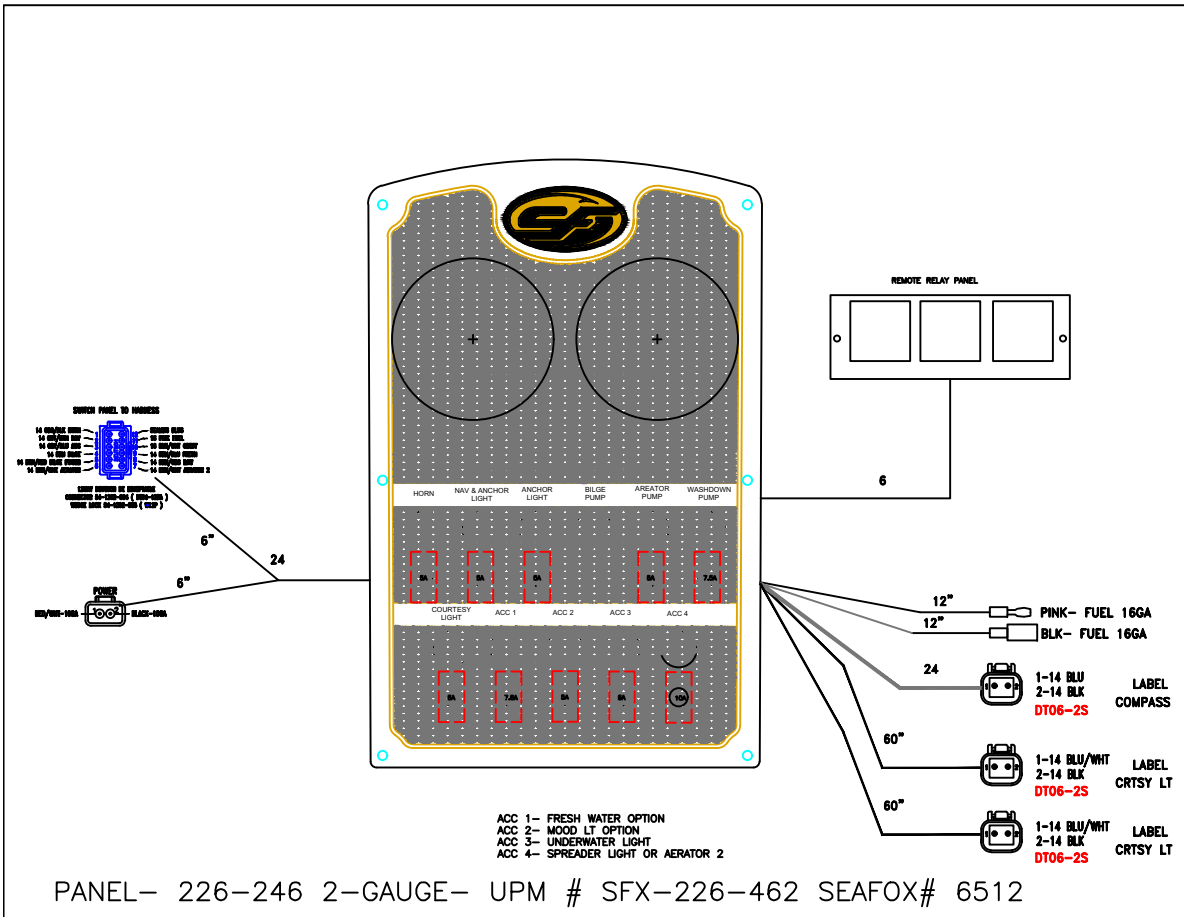
#

REV: 7/18/18  
 DATE: NTS  
 OF: 1 OF 1





# PANEL SWITCH SHROUD (P/N 6512)

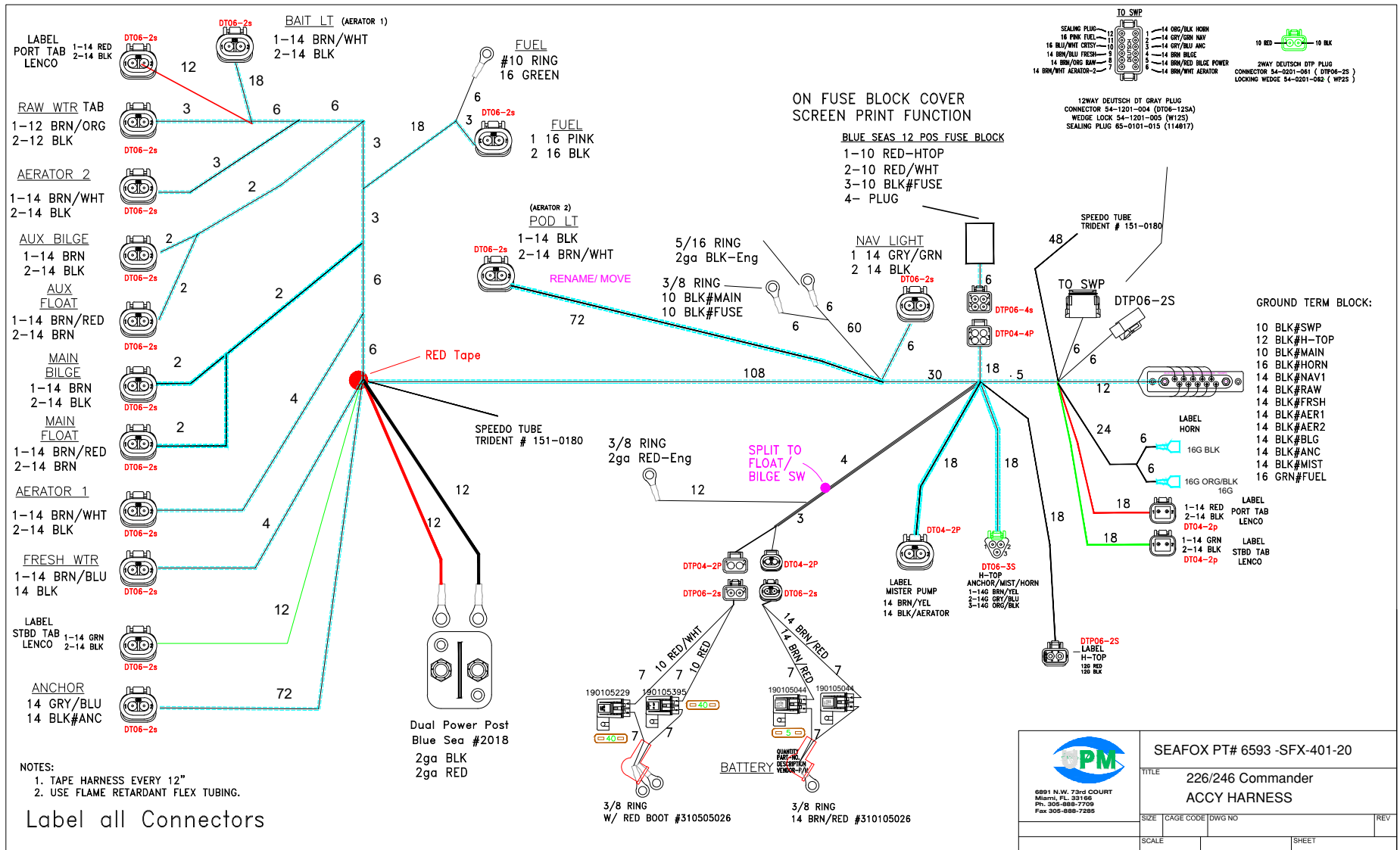


ADD #7- AERATOR 2 TO ACC #4

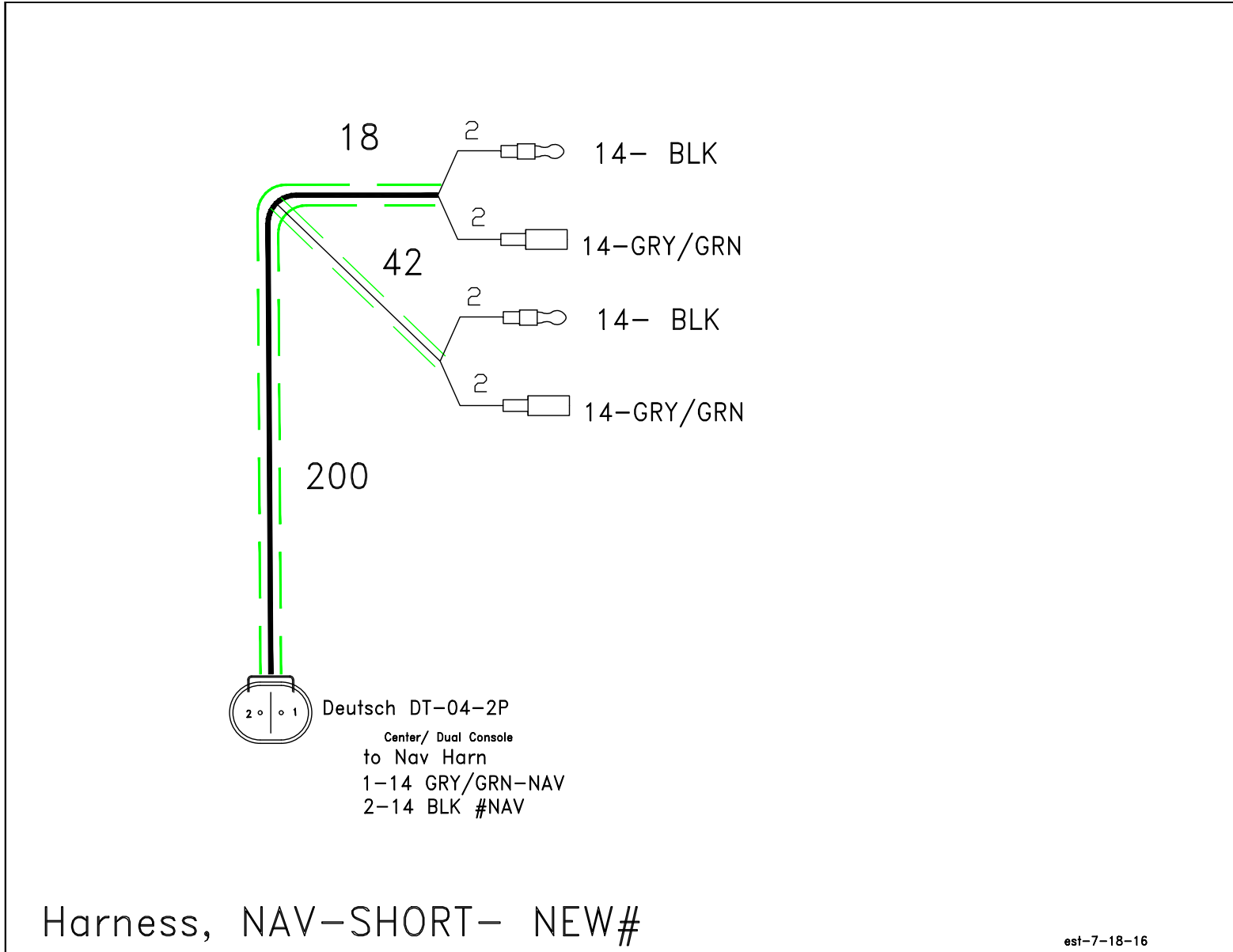
SFX-226-462-A: MOVE SWITCHES UP, MAKE RELAYS REMOTE MOUNTABLE  
SFX-226-462-B: ADD 14G BRN/WHT #7 TO SWITCH ACC #4



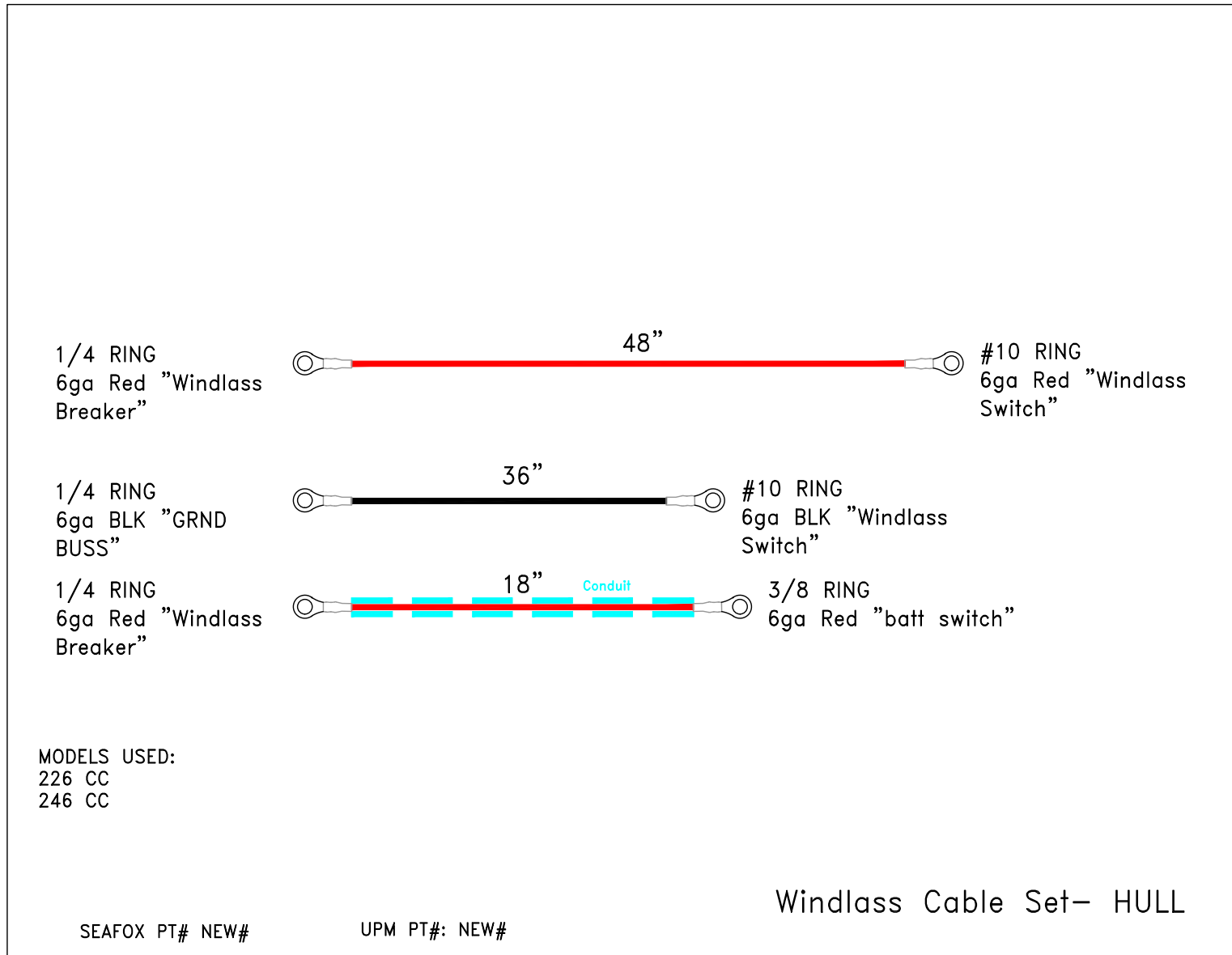
# HARNES ACC W/ Lenco DEUTSCH (P/N 6593)



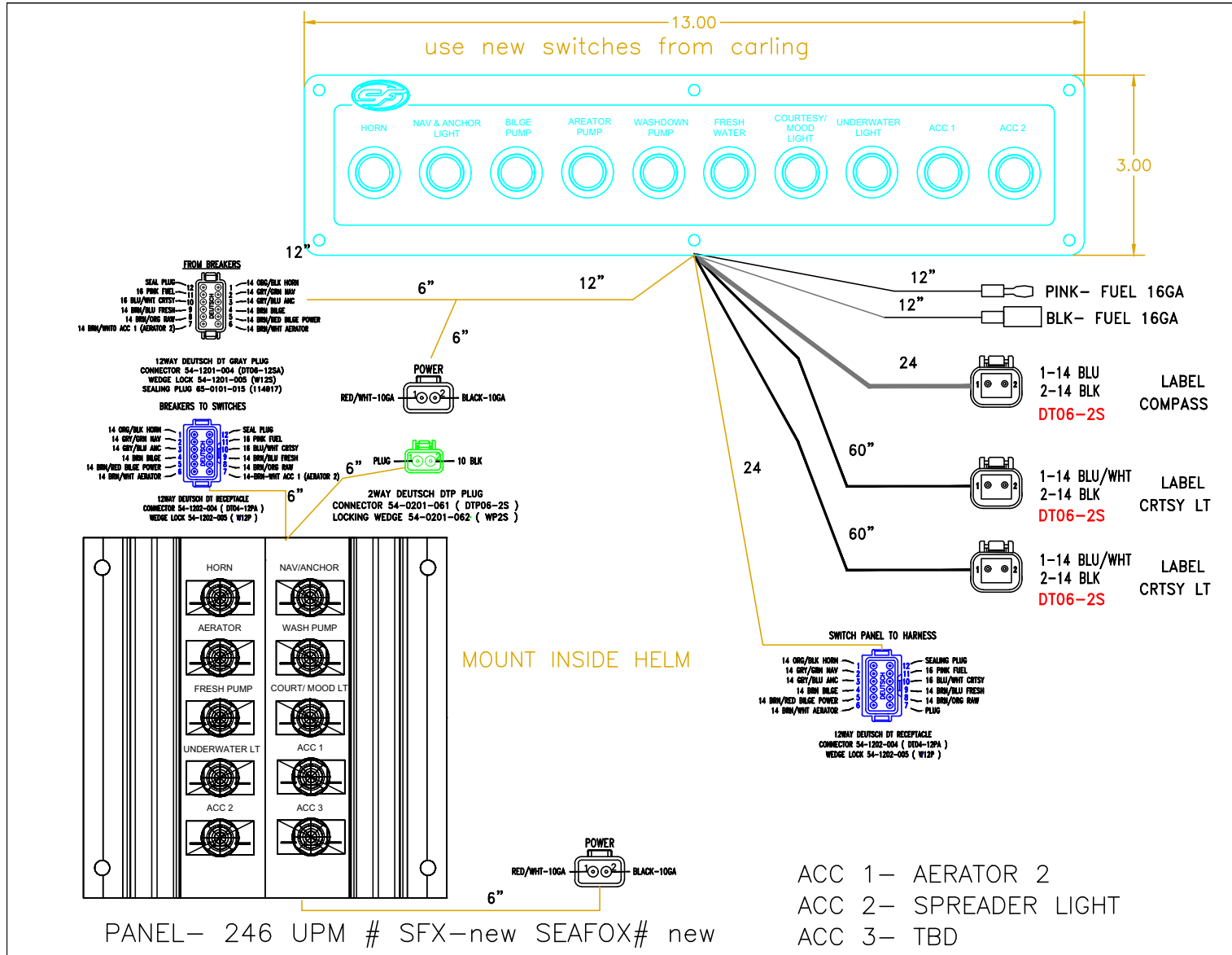
HARNES NAV SHORT



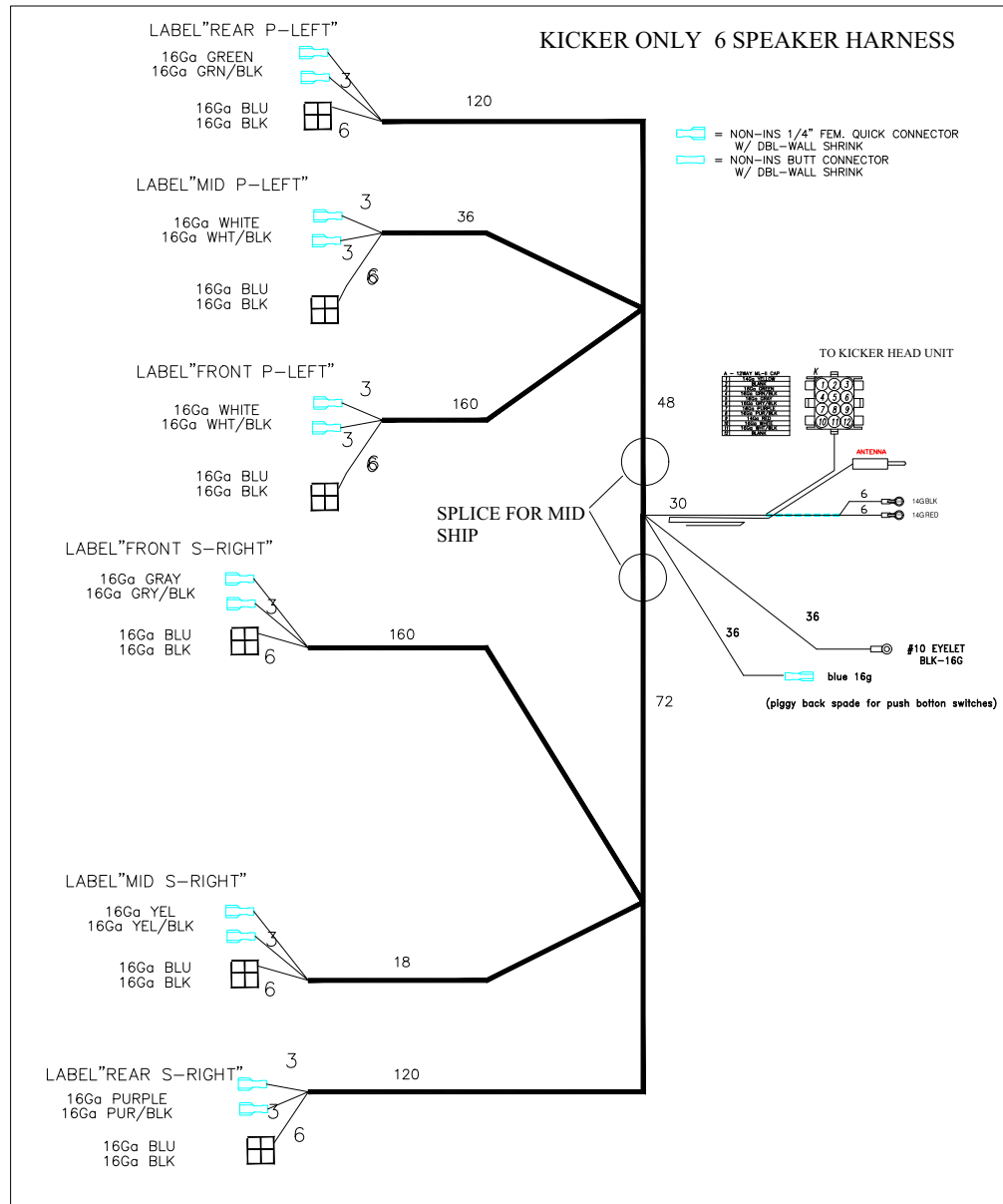
**WINDLASS CABLE SET - HULL**



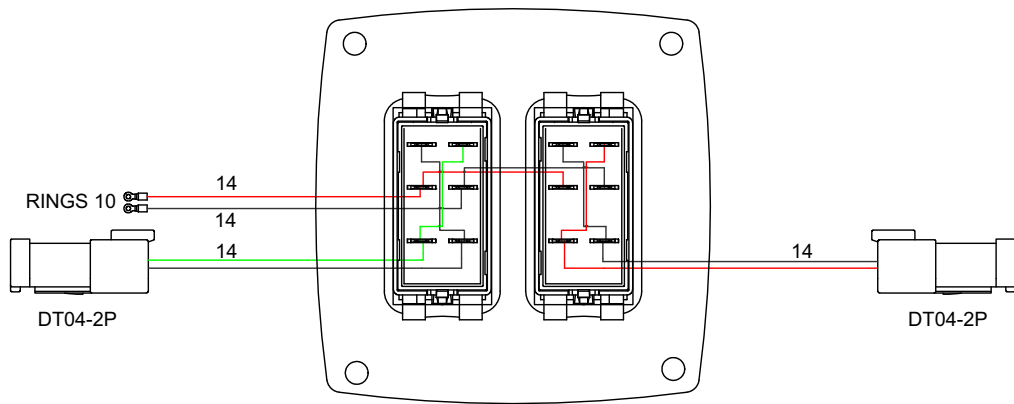
PANEL



# KICKER ONLY 6-SPEAKER HARNESS




TRIMTABS ELECTRICAL SWITCH STANDARD (P/N 2895) – OPTIONAL

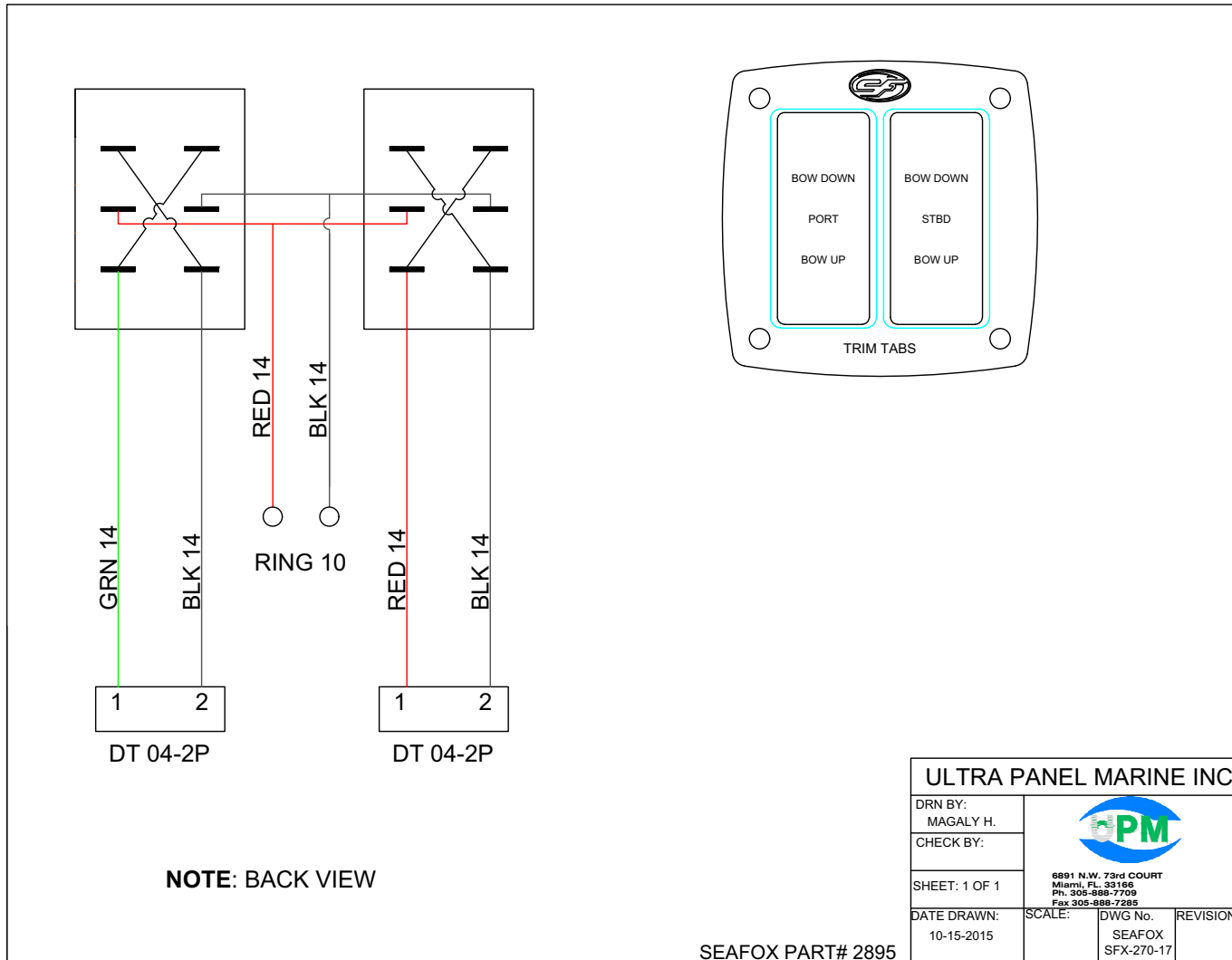


NOTE: BACK VIEW

SEAFox PT# 2895

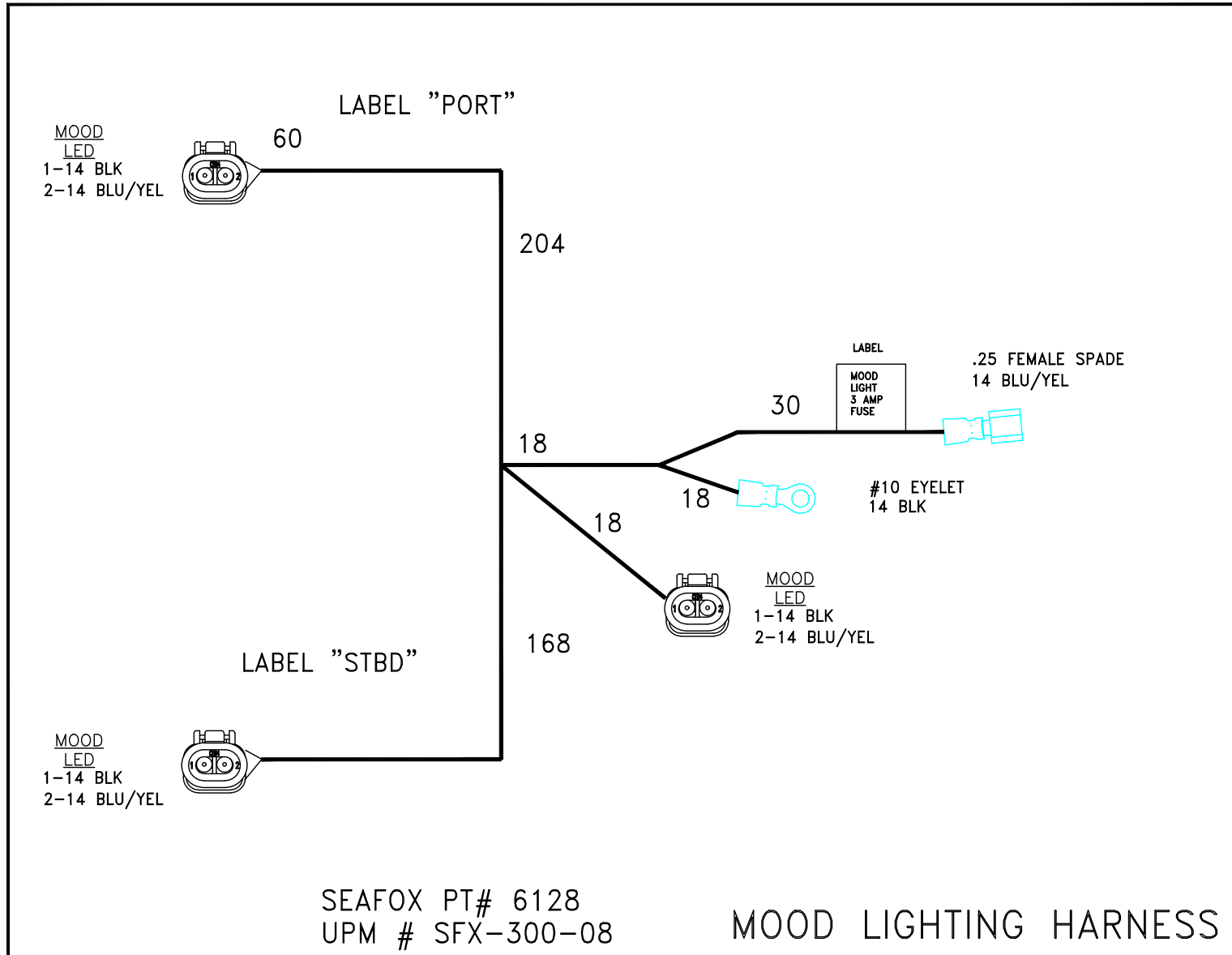
<b>ULTRA PANEL MARINE INC</b>			
DRN BY: MAGALY H.			
CHECK BY:			
SHEET: 1 OF 1	6891 N.W. 73rd COURT Miami, FL. 33166 Ph. 305-888-7709 Fax 305-888-7295		
DATE DRAWN: 12-11-2015	SCALE:	DWG No. SFX 270-17	REVISION:

TRIMTABS ELECTRICAL SWITCH STANDARD (P/N 2895) – OPTIONAL (CONTINUED)





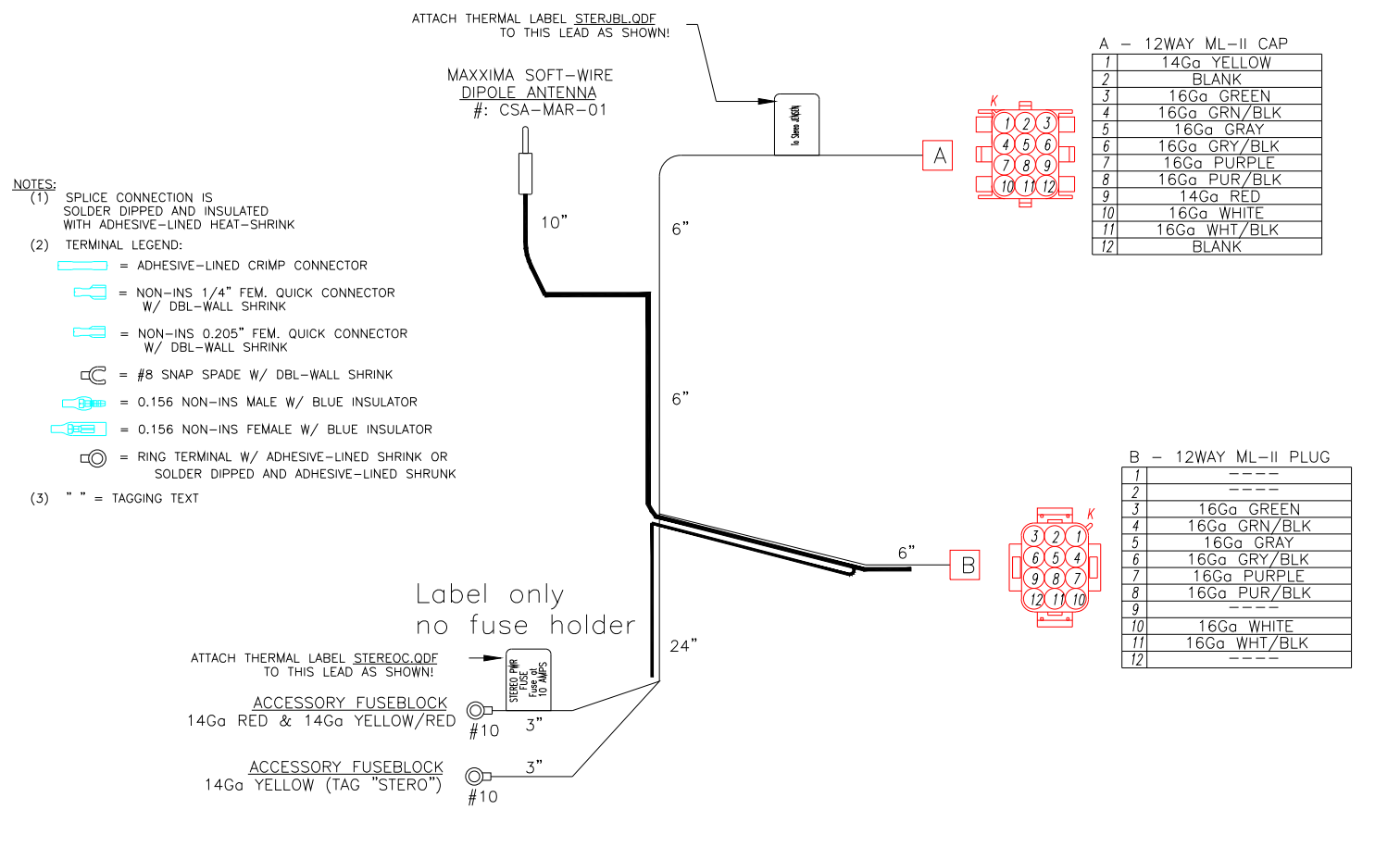
HARNESS MOOD LIGHT W/DEUTSCH (P/N 6128) – OPTIONAL





# HARNES STEREO INFINITY CON (P/N 6129) – OPTIONAL

CUSTOMER SEAFOX BOAT CO. W/O # \_\_\_\_\_  
 PART # 6129 UPM# SFX-300-09 DUE DATE \_\_\_\_\_  
 FILENAME \_\_\_\_\_ MODEL ALL MODELS  
 DESCRIPTION HARNES STEREO INFINITY/JENSEN





**HARNES STEREO INFINITY DECK (P/N 6130) – OPTIONAL**

CUSTOMER SEAFOX BOAT CO.

PART # 6130 UPM# SFX-300-04

FILENAME \_\_\_\_\_


W/O # \_\_\_\_\_

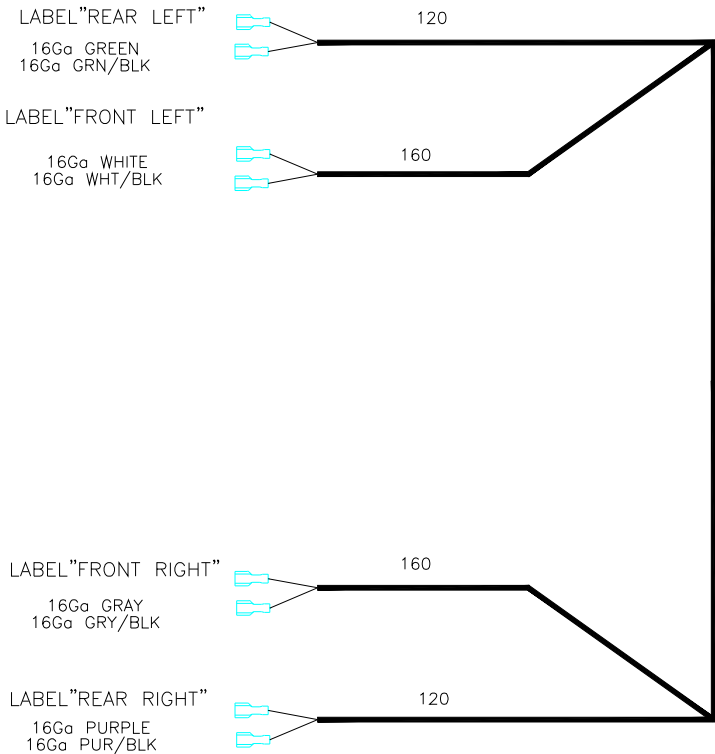
DUE DATE \_\_\_\_\_

MODEL ALL MODELS

DESCRIPTION HARNES DECK INFINTY STEREO

**NOTES:**

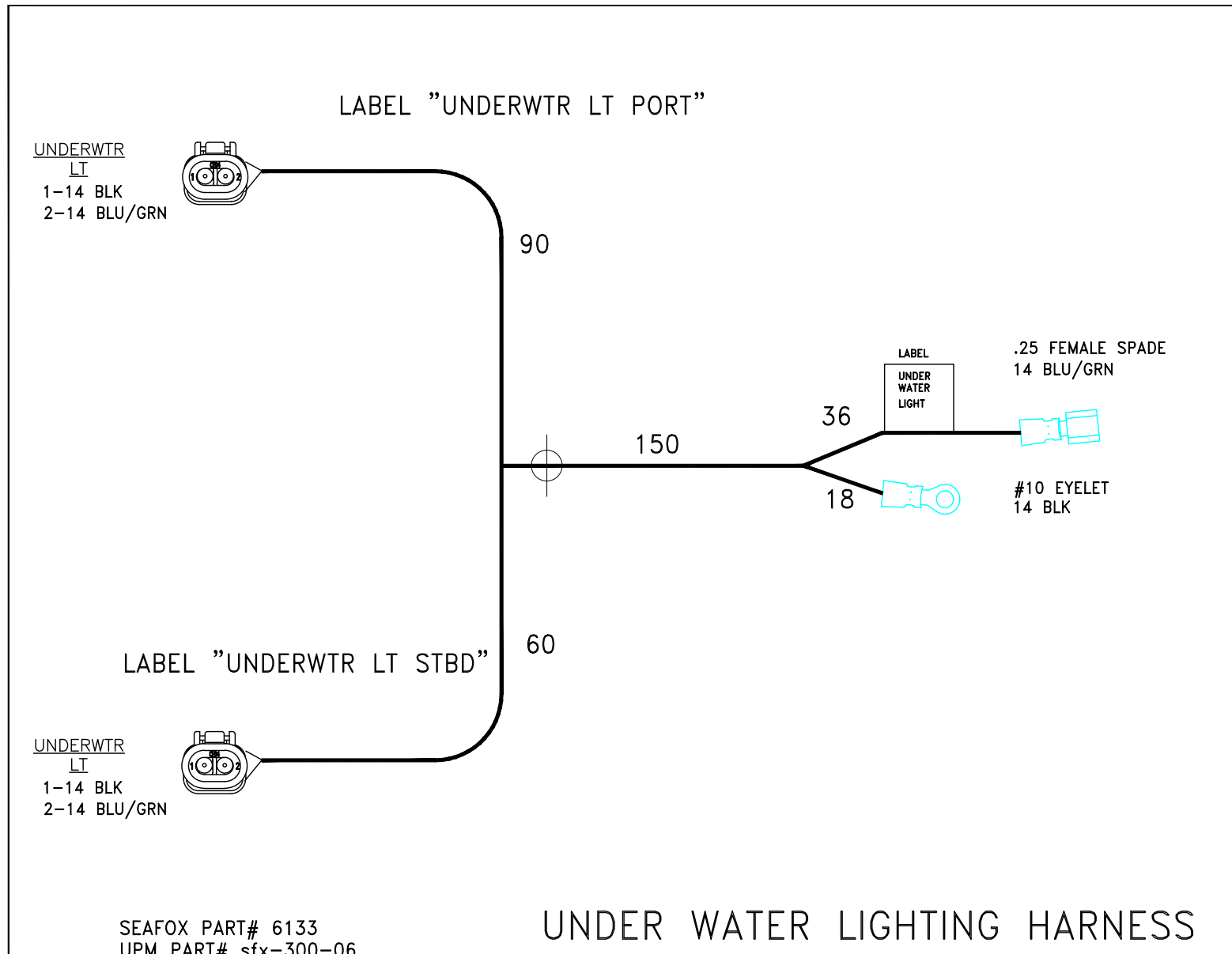
 = NON-INS 1/4" FEM. QUICK CONNECTOR  
W/ DBL-WALL SHRINK



B - 12WAY ML-II PLUG

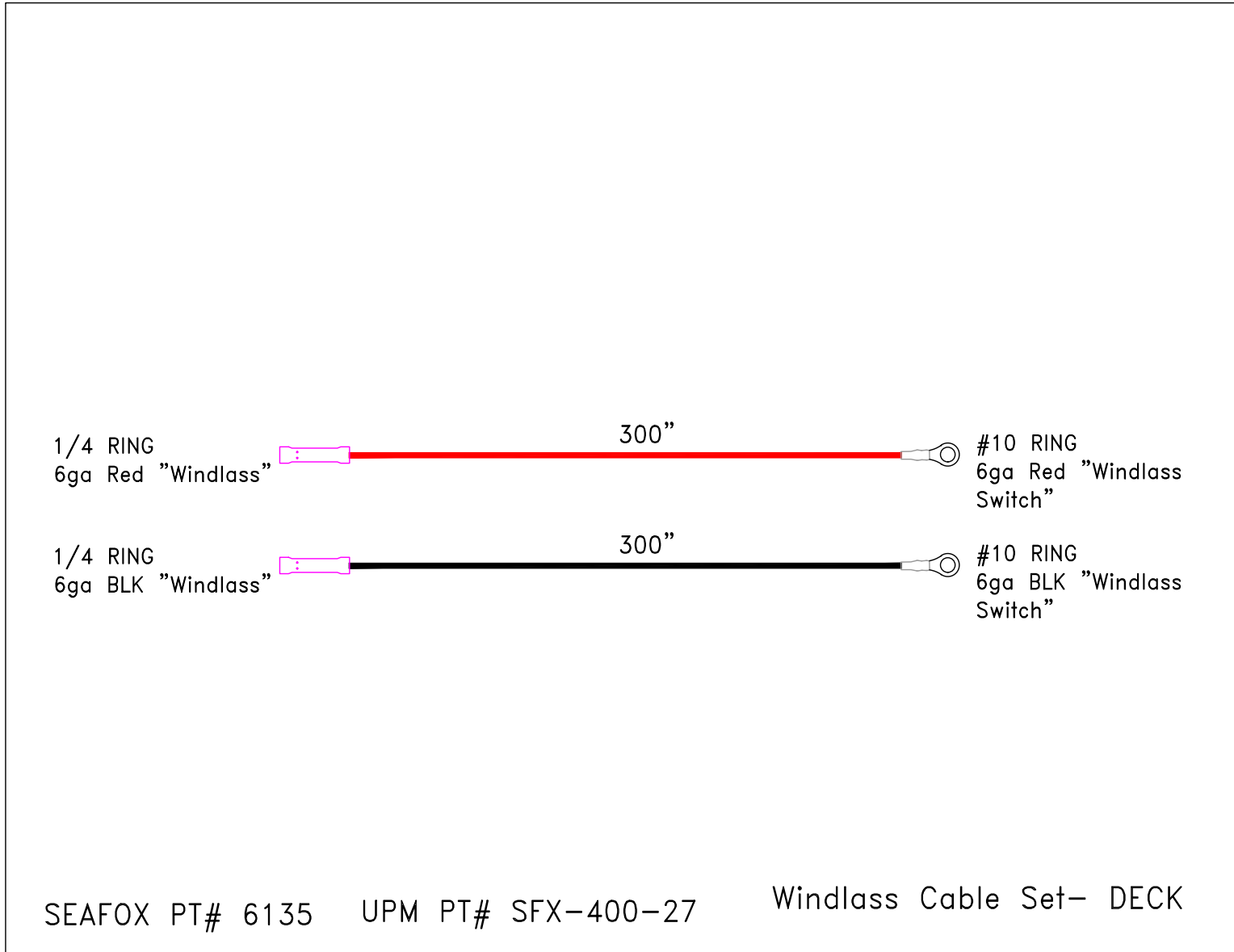
1	----
2	----
3	16Ga GREEN
4	16Ga GRN/BLK
5	16Ga GRAY
6	16Ga GRY/BLK
7	16Ga PURPLE
8	16Ga PUR/BLK
9	----
10	16Ga WHITE
11	16Ga WHT/BLK
12	----

**HARNES UNDERWATER LIGHT W/DEUTSCH (P/N 6133) – OPTIONAL**

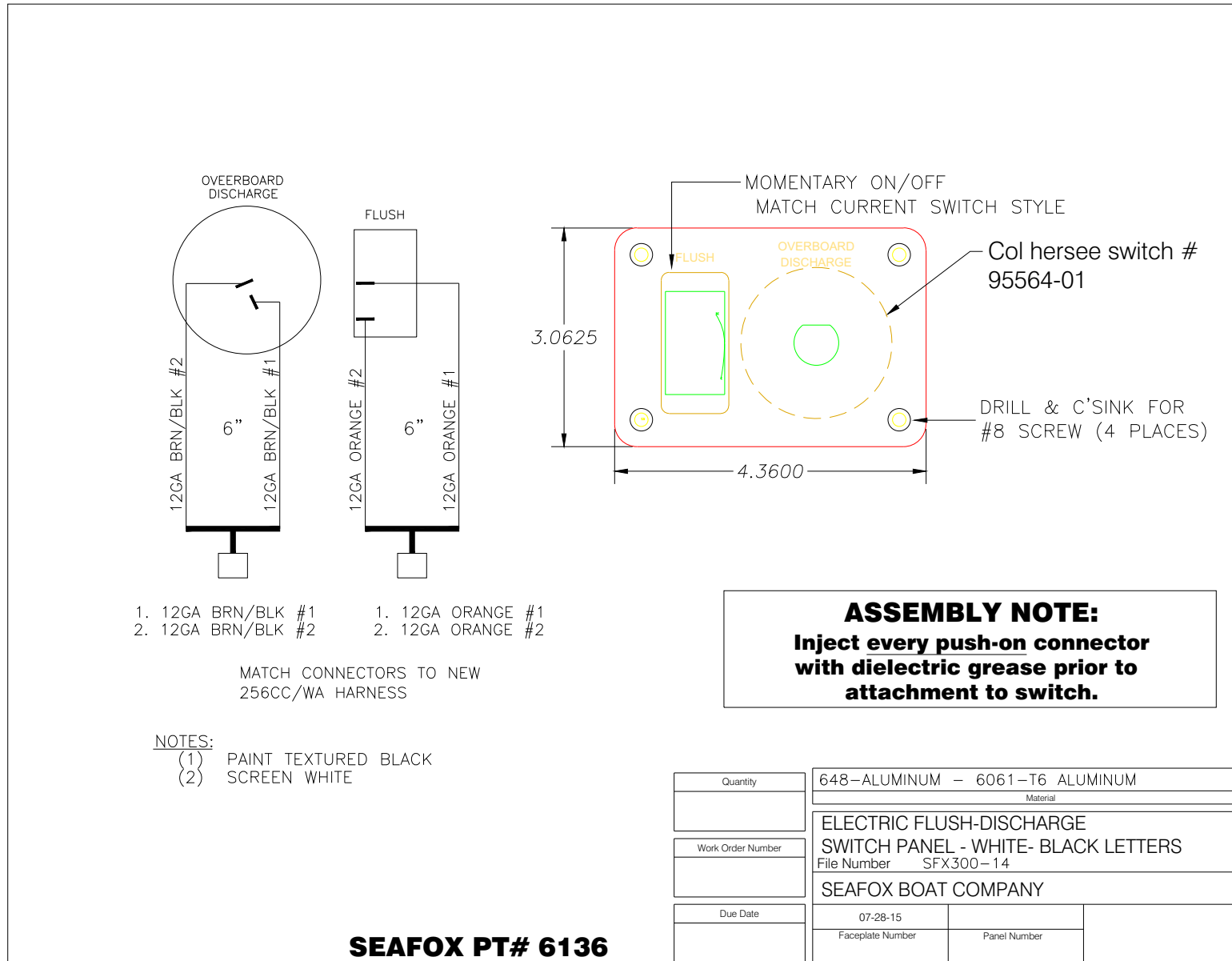




WINDLASS CABLE SET DECK (P/N 6135) – OPTIONAL



### HEAD PANEL SWITCH ORB (P/N 6136) – OPTIONAL

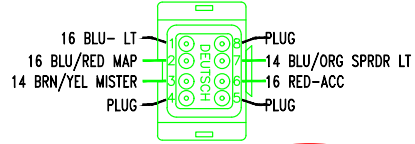


**U PANEL SWITCH ULTIMA (P/N 6463) – OPTIONAL**

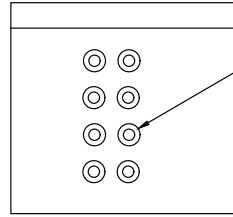
SEAFOX PT# 6463  
UPM PT# SFX-600-40

3 OF 3

"J"-FROM SWITCH PANEL



8WAY DEUTSCH DT RECEPTACLE  
CONNECTOR 54-0802-008 ( DT04-8PA )  
WEDGE LOCK 54-0801-009 ( W8P )



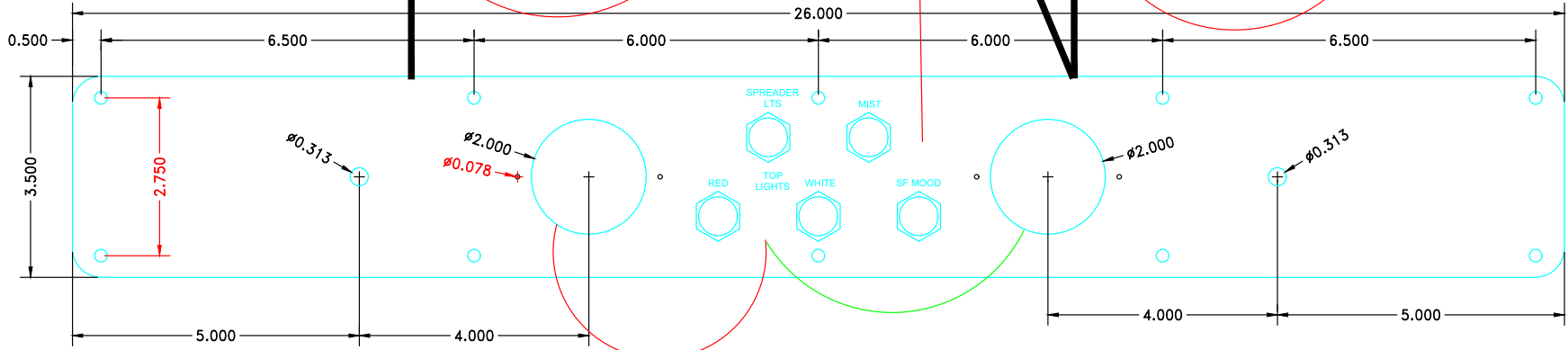
SHIP WITH SWP ASSEMBLY:  
081401002 (8) SHOULDER WASHER  
IN 4 X 4 PLASTIC BAG

30"

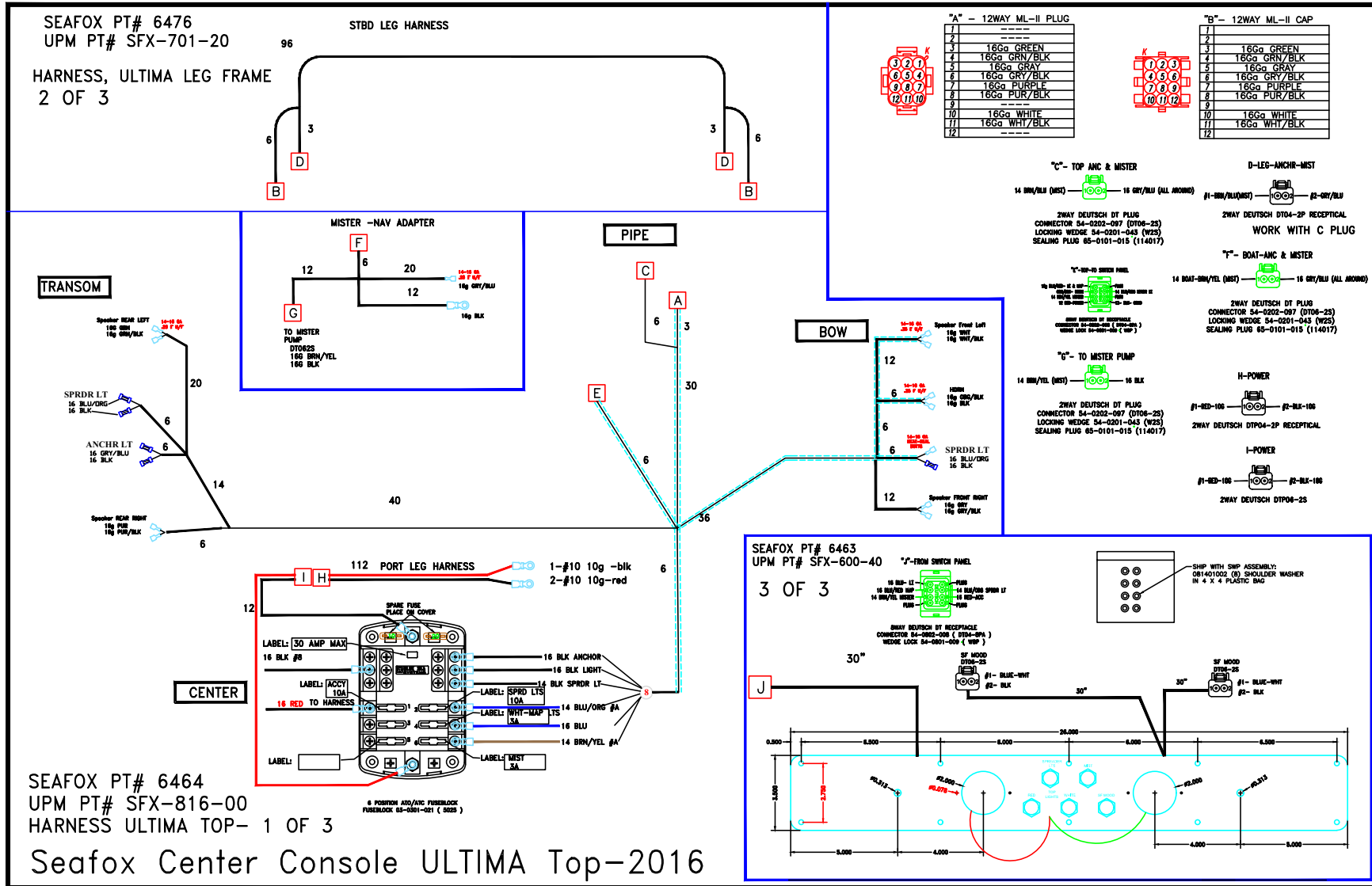


add

30"



**CENTER CONSOLE ULTIMA TOP - 2016 (P/N 6463, 6464 AND 6476) – OPTIONAL**



### KICKER 8-SPEAKER STEREO ADAPTER HARNESS (P/N 6851) – OPTIONAL

**NOTES:**

(1) SPLICE CONNECTION IS SOLDER DIPPED AND INSULATED WITH ADHESIVE-LINED HEAT-SHRINK

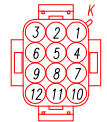
(2) TERMINAL LEGEND:

- = ADHESIVE-LINED CRIMP CONNECTOR
- = NON-INS 1/4" FEM. QUICK CONNECTOR W/ DBL-WALL SHRINK
- = NON-INS 0.205" FEM. QUICK CONNECTOR W/ DBL-WALL SHRINK
- = #8 SNAP SPADE W/ DBL-WALL SHRINK
- = 0.156 NON-INS MALE W/ BLUE INSULATOR
- = 0.156 NON-INS FEMALE W/ BLUE INSULATOR
- = RING TERMINAL W/ ADHESIVE-LINED SHRINK OR SOLDER DIPPED AND ADHESIVE-LINED SHRUNK

(3) " " = TAGGING TEXT

**B - 12WAY ML-II PLUG**

1	---
2	---
3	16Ga GREEN
4	16Ga GRN/BLK
5	16Ga GRAY
6	16Ga GRY/BLK
7	16Ga PURPLE
8	16Ga PUR/BLK
9	---
10	16Ga WHITE
11	16Ga WHI/BLK
12	---



TO- ULTIMA TOP HARNESS

ATTACH THERMAL LABEL STERJBL.QDF TO THIS LEAD AS SHOWN!

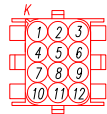
MAXXIMA SOFT-WIRE DIPOLE ANTENNA #: CSA-MAR-01

ATTACH THERMAL LABEL STEREOC.QDF TO THIS LEAD AS SHOWN!

- ACCESSORY FUSEBLOCK 14Ga RED #10 3"
- ACCESSORY FUSEBLOCK 14Ga YELLOW (TAG "STERO") #10 3"

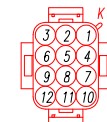
**A - 12WAY ML-II CAP**

1	14Ga RED
2	16Ga WHI/BLK
3	16Ga WHITE
4	BLANK
5	16Ga GRY/BLK
6	16Ga GRAY
7	BLANK
8	16Ga GRN/BLK
9	16Ga GREEN
10	14Ga BLACK
11	16Ga PUR/BLK
12	16Ga PURPLE



**B - 12WAY ML-II PLUG**

1	---
2	---
3	16Ga GREEN
4	16Ga GRN/BLK
5	16Ga GRAY
6	16Ga GRY/BLK
7	16Ga PURPLE
8	16Ga PUR/BLK
9	---
10	16Ga WHITE
11	16Ga WHI/BLK
12	---



TO- DECK HARNESS

<p>6891 N.W. 73rd COURT Miami, FL 33166 Ph. 305-888-7709 Fax 305-888-7285</p>	<b>SEA FOX SFX-818-016</b>	
	<b>TITLE</b> KICKER 8-SPEAKER STEREO ADAPTER HARNESS	
SIZE	CAGE CODE	DWG NO
SCALE	SHEET	

SEAFXQX PT# 6851

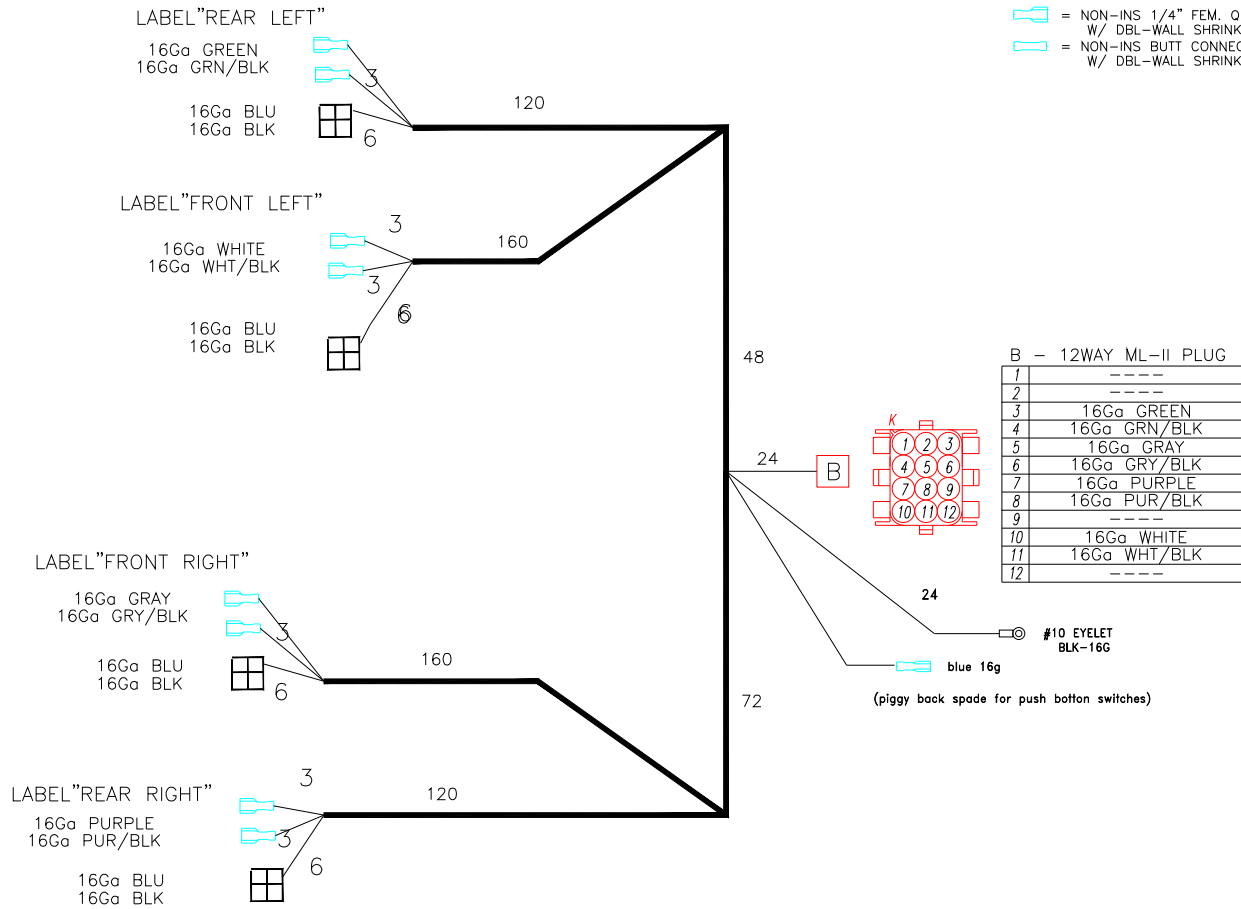


### HARNESS DECK SPEAKER W/LED (P/N 6852) – OPTIONAL

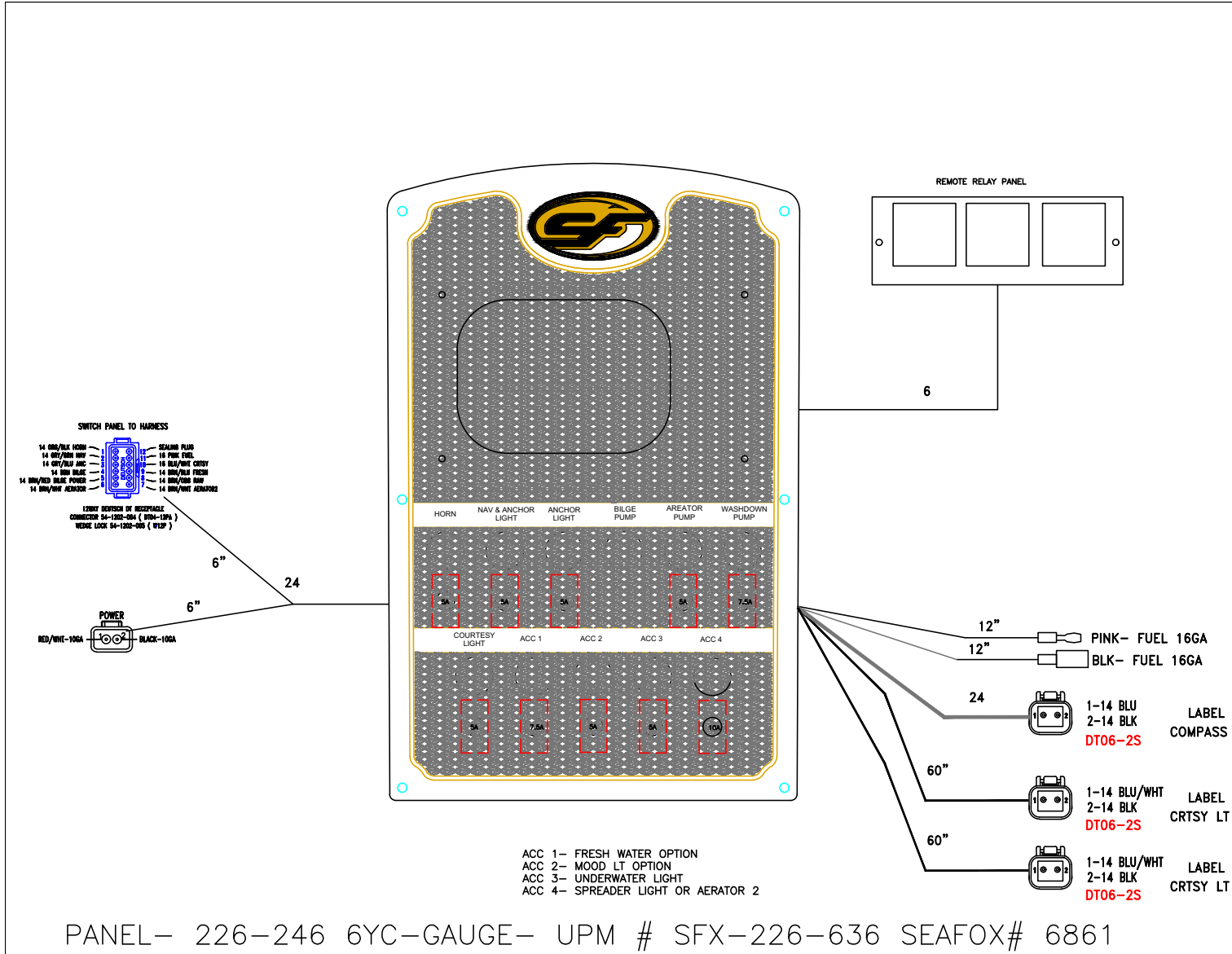
CUSTOMER SEAFOX BOAT CO. W/O # \_\_\_\_\_  
 PART # SF# 6852-UPM# SFX-489-13 DUE DATE \_\_\_\_\_  
 FILENAME \_\_\_\_\_ MODEL ALL CENTER CONSOLES  
 DESCRIPTION HARNESS DECK SPEAKER W/LED

**NOTES:**

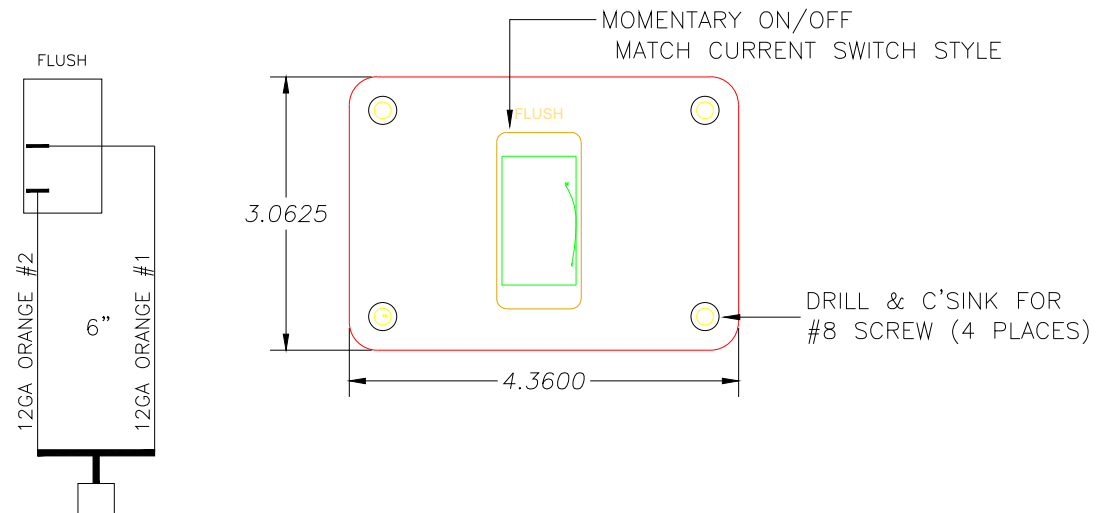
- = NON-INS 1/4" FEM. QUICK CONNECTOR W/ DBL-WALL SHRINK
- = NON-INS BUTT CONNECTOR W/ DBL-WALL SHRINK



PANEL (P/N 6861) – OPTIONAL



**ELECTRIC FLUSH SWITCH PANEL (P/N 6870) – OPTIONAL**



- 1. 12GA ORANGE #1
- 2. 12GA ORANGE #2

MATCH CONNECTORS TO NEW  
256CC/WA HARNESS

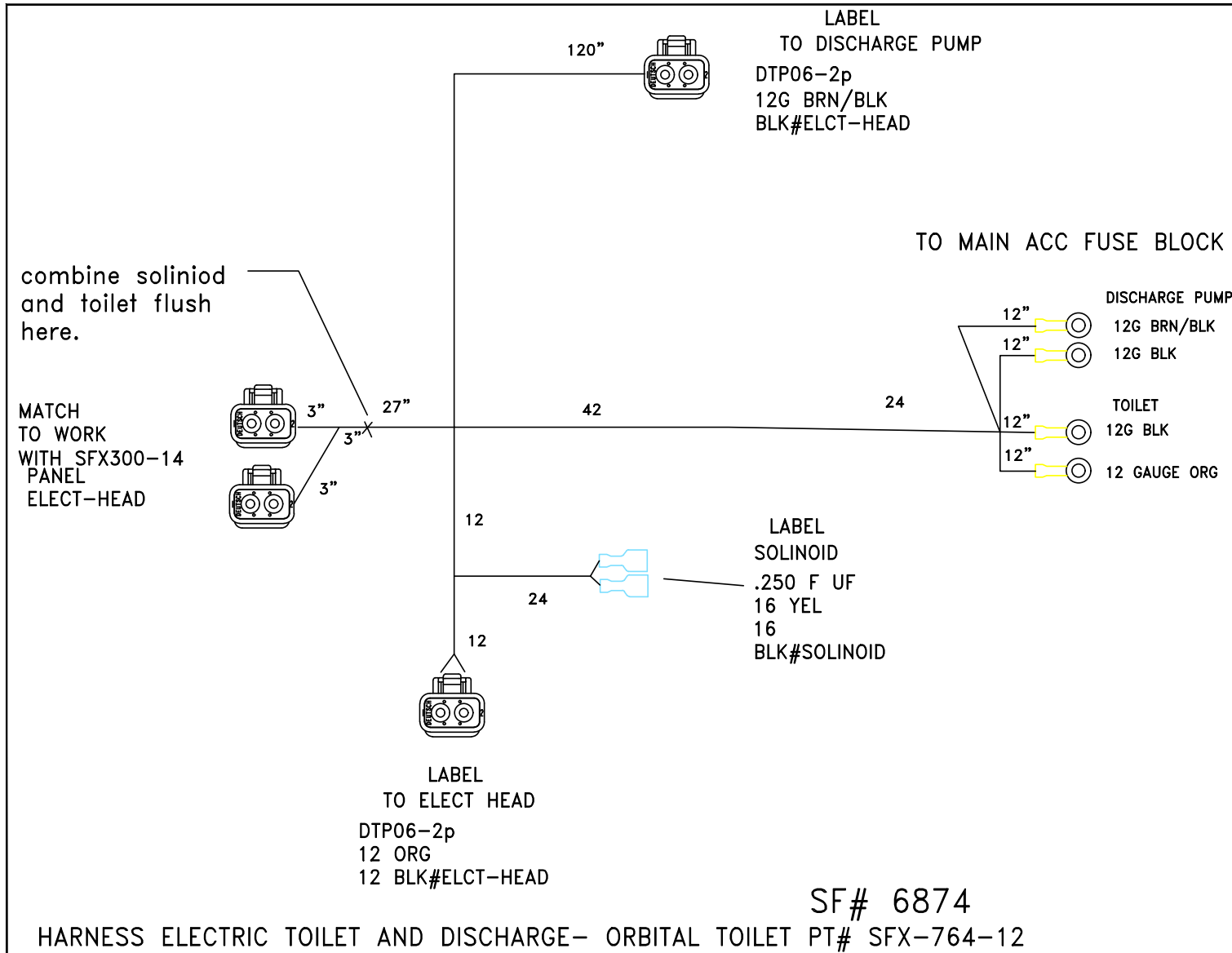
- NOTES:
- (1) PAINT TEXTURED BLACK
  - (2) SCREEN WHITE

**ASSEMBLY NOTE:**  
Inject every push-on connector  
with dielectric grease prior to  
attachment to switch.

**SF# 6870 UPM# SFX-028-11**

Quantity	648-ALUMINUM - 6061-T6 ALUMINUM	
	Material	
Work Order Number	ELECTRIC FLUSH SWITCH PANEL - BLACK- WHITE LETTERS	
	File Number	
	SEAFOX BOAT COMPANY	
Due Date	07-28-15	
	Faceplate Number	Panel Number

**HARNES ELECTRIC TOILET AND DISCHARGE – ORBITAL TOILET (P/N 6874) – OPTIONAL**



This Page Intentionally Left Blank



This Page Intentionally Left Blank





**Sea Fox Boat Company, Inc.**  
2550 Highway 52  
Moncks Corner, SC 29461-5024

Telephone: 843-761-6090  
[www.seafoxboats.com](http://www.seafoxboats.com)

Ken Cook Co.  
Printed in U.S.A.  
Rev 0819