



Owner's Manual Supplement

www.SeaFoxBoats.com

SEA FOX BOAT'S DISCLAIMER

The following Owner's Manual is provided for information and educational purposes only and is not intended to offer or provide legal advice or create a contractual relationship between Sea Fox Boat Company and the owner of any Sea Fox brand vessel. Please beware that as a vessel owner you have non-delegable responsibilities regarding the safety, maintenance, fitness, and operation of your vessel and the extent of such responsibilities is ultimately determined by Federal law and regulations, the general maritime law of the United States, the laws and regulations of the states and territories of the United States, or the laws and regulations of the country where you operate your vessel. To fully understand your responsibilities as a vessel owner, and before operating or letting any third-party operate your vessel, we recommend that you consult the services of a qualified lawyer in admiralty and maritime law.

TABLE OF CONTENTS

Introduction	3	Typical 2-Battery Setup with Transom	12
Specifications	3	DC Accessory Harness (P/N 6446)	13
Designated Occupant Seating	4	Harness Deck/Liner Kick/Infin (P/N 6898)	14
Plumbing Schematics	5	Harness Dual Console Ultima Top	15
Traveler Bilge System	5	Trimtabs Electric Switch Standard (P/N 2895) – Optional	16
Traveler Drains	6	Harness Mood Light w/ Deutsch (P/N 6128) – Optional.	17
Traveler Electric Head	7	Harness Stereo Infinity Con (P/N 6129) – Optional.	18
Traveler Fresh Water System	8	Harness Underwater Light w/ Deutsch (P/N 6133) – Optional	19
Traveler Fuel System	9	Harness Windlass Hull Aft Battery (P/N 6134) – Optional	20
Traveler Livewell System	10	Harness Windlass Deck Option (P/N 6135) – Optional.	21
Traveler Raw Water System	11	Head Panel Switch ORB (P/N 6870) – Optional	22
Electrical Schematics	12	Head Harness ORB 226DC (P/N 6906) – Optional.	23



This Page Intentionally Left Blank

INTRODUCTION

Congratulations and Welcome Aboard! With so many boat brands to choose from, we want to congratulate you on your decision to choose Sea Fox Boats. For more than 24 years, Sea Fox offers the finest hand-crafted saltwater boats carefully balanced with the build-quality, features, styling and performance for the fairest price. Our passion for boating is evident in every model we make and we appreciate that you've noticed the Sea Fox difference.

We share your love for the moments spent on the water with friends and family, which is why every Sea Fox boat offers a unique blend of fishing/family options, technologies and innovative features. Your choice of a Sea Fox affirms that you have performed your research and compared the value of your model with the competition.

Whether you are new to the boating lifestyle or an old salt, we ask that **you and all other operators** read the owner's manual, this supplement, and all other literature provided with the boat **before** operating the boat or any equipment. We also recommend that all operators enroll in a boating safety course available online - see References and Contact Information in this section for education resources online.

This supplement contains model-specific information not included with the owner's manual. This manual is not intended to be a replacement for specific product literature provided by engine, accessory or other major equipment manufacturers, but rather to supplement that information.

Because of our philosophy of continuous product improvement, this manual serves as a general guide only, so the specifications and illustrations used may not match the equipment on your boat and are intended only as general reference views.

We welcome you to the Sea Fox family and wish you many years of boating enjoyment!

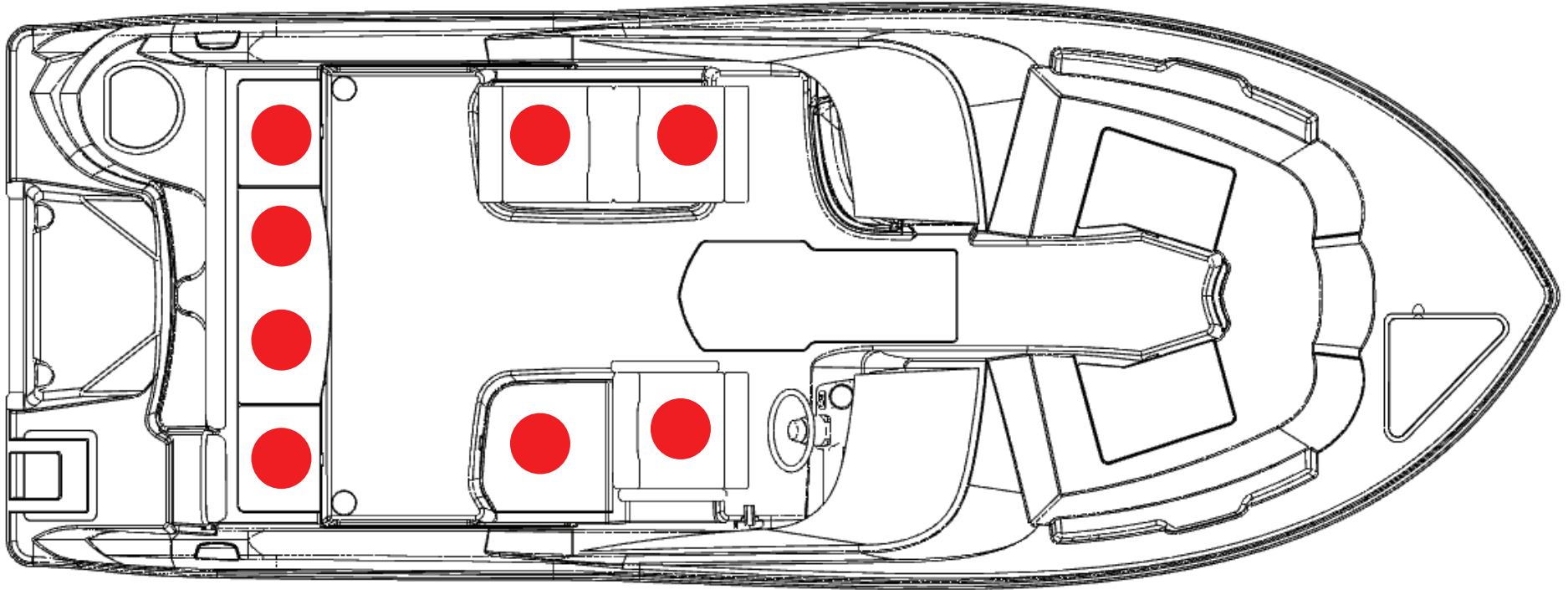
SPECIFICATIONS

Max. Weight Capacity	2200 lbs (998 kg)
Persons	8
Persons Weight	1200 lbs (544 kg)
Max. HP	250 hp (186 kw)
L.O.A.	22' 4" (6.81 m)
Beam	8' 6" (2.59 m)
Draft	16 in. (0.41 m)
Height, Keel to Top (Light Folded)	115 in. (2.92 m)
Bridge Clearance Hard Top	99 in. (2.51 m)
Max. Weight Boat (w/ Fluids, Largest HP)	4489 lbs (2036 kg)
Fuel Tank Capacity	106 gal (401 L)
Freshwater Tank Capacity	12 gal (45 L)
Holding Tank Capacity	6 gal (23 L)



DESIGNATED OCCUPANT SEATING

Be sure all passengers are properly seated in designated seating positions and not riding on the bow, bow pulpit, deck, gunwale or rear sun deck while underway. Passengers must use hand-holds and use caution when riding in the bow. Move to the aft passenger seats during rough water operation or if visibility is restricted.

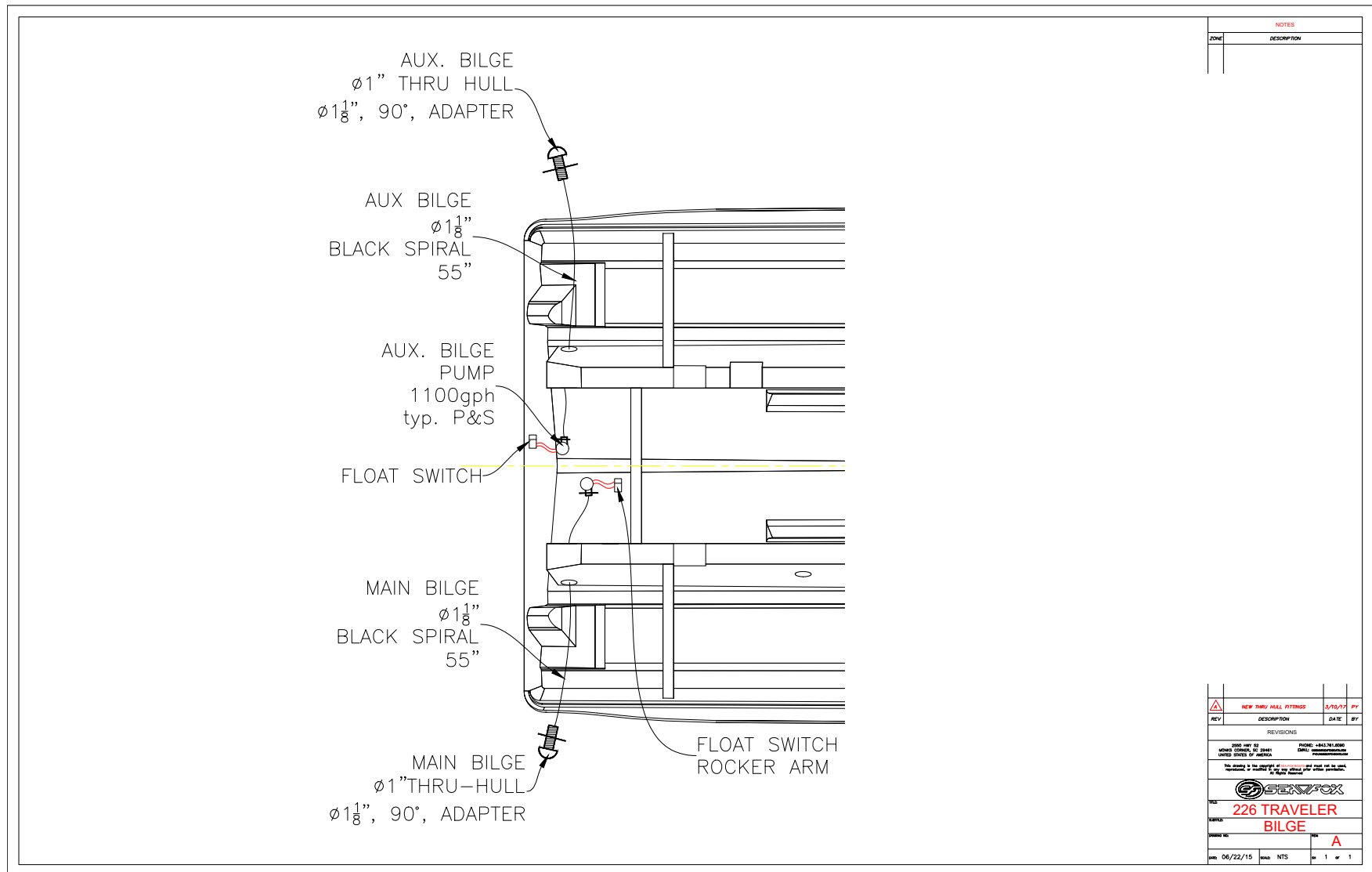


● = Seat position

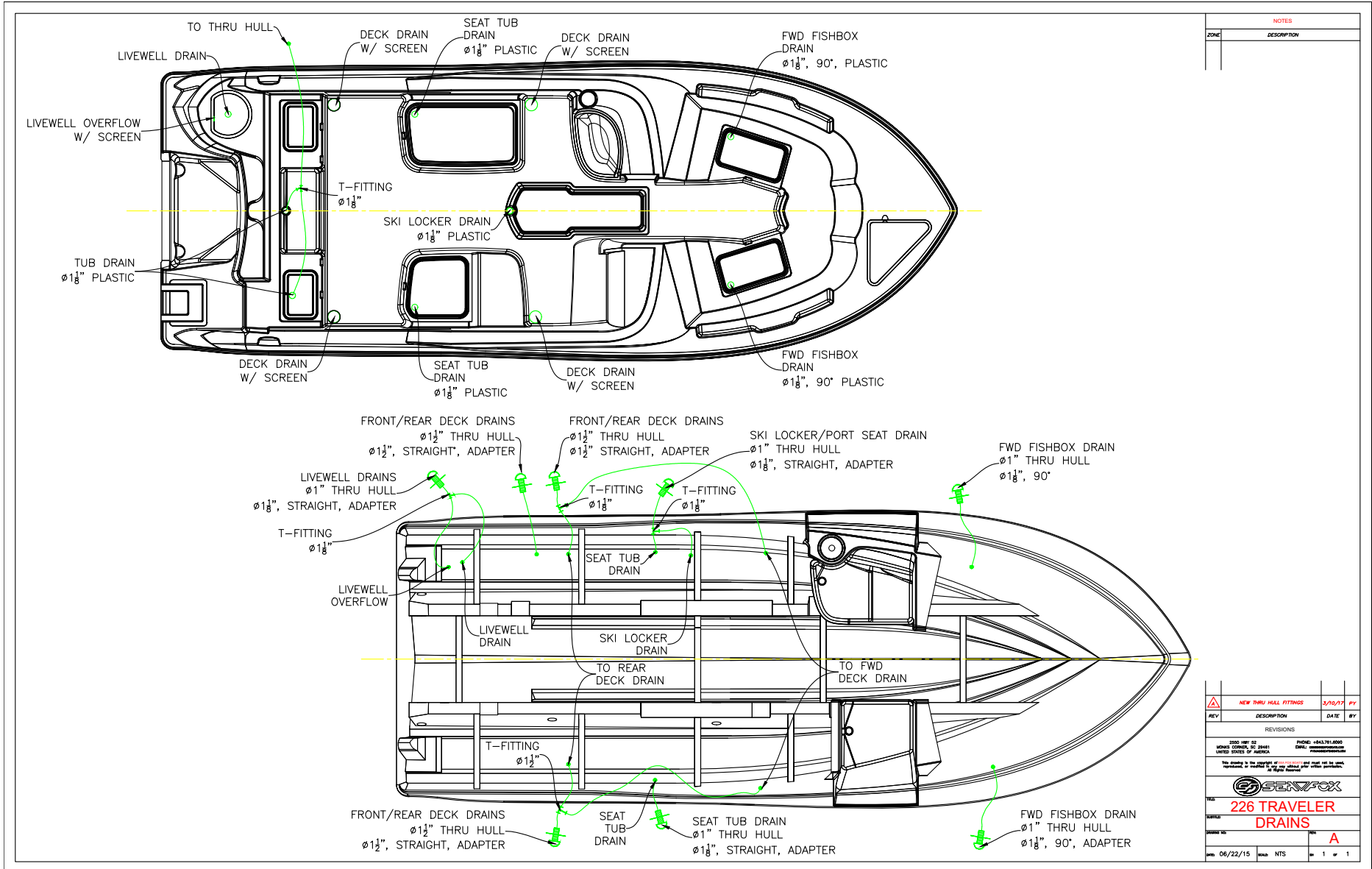
SFOX-0022

PLUMBING SCHEMATICS

TRAVELER BILGE SYSTEM



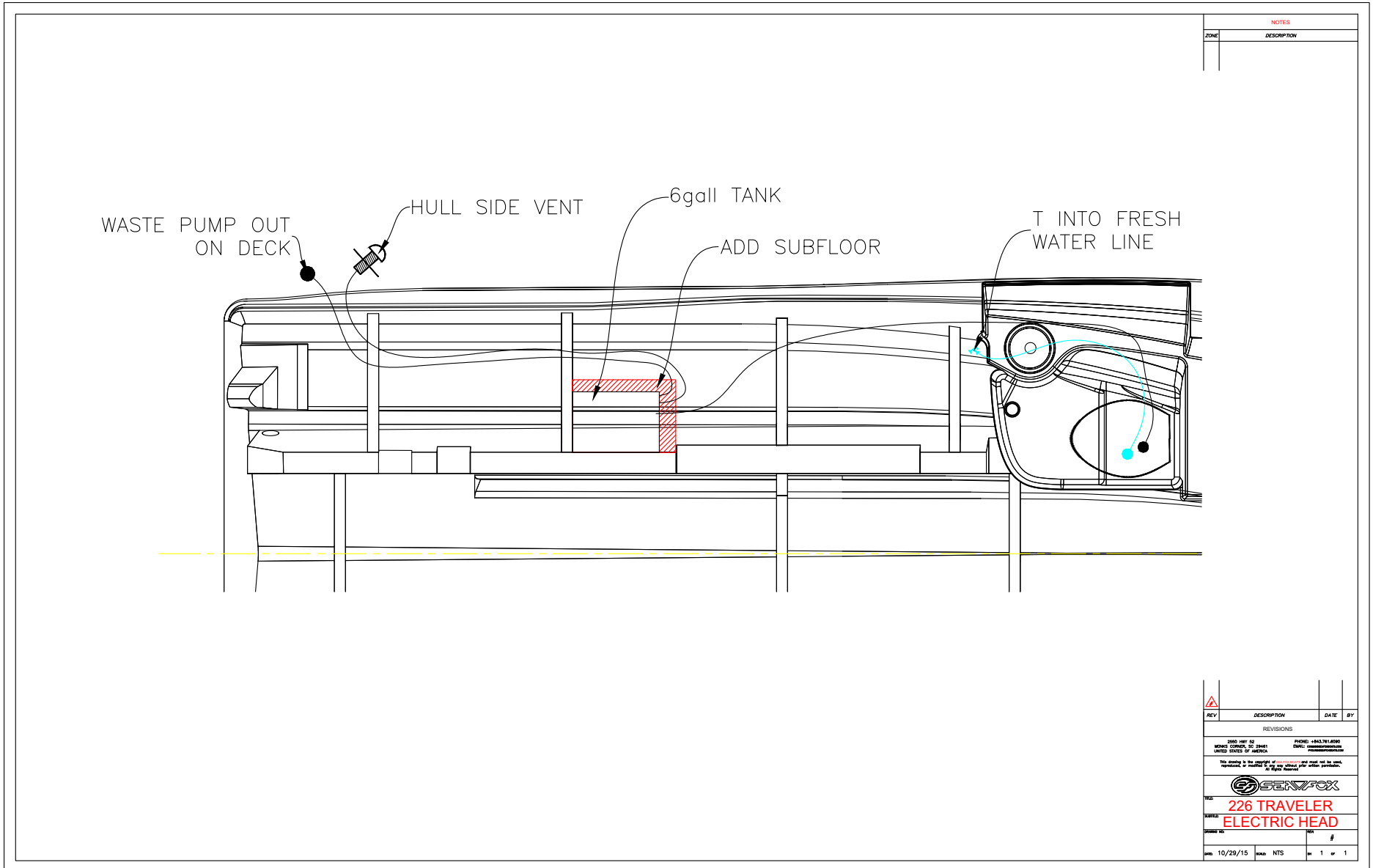
TRAVELER DRAINS



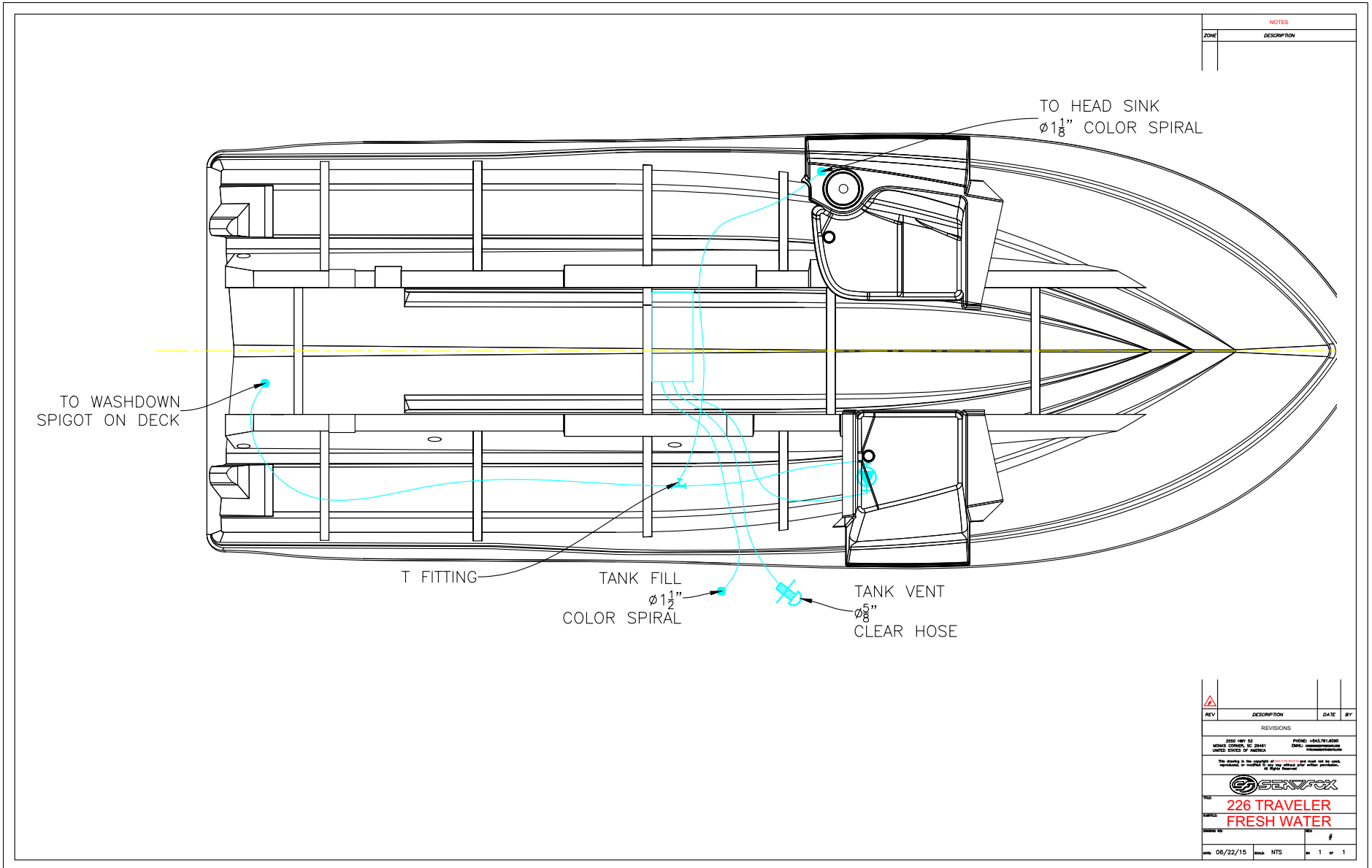
NOTES	
ZONE	DESCRIPTION

NEW THRU HULL FITTINGS			
REV	DESCRIPTION	DATE	BY
REVISIONS			
2000 HWY 52 PHONE: +647.91.4000			
SERVING CUSTOMERS SINCE 1981 EMAIL: info@seafox.com			
UNITED STATES OF AMERICA			
This drawing is the property of SeaFox and shall not be loaned, reproduced or altered in any way without prior written permission. All Rights Reserved.			
226 TRAVELER DRAINS			
SCALE: NTS			
PAGE: 1 OF 1			

TRAVELER ELECTRIC HEAD



TRAVELER FRESH WATER SYSTEM



NOTES	
ZONE	DESCRIPTION

REV	DESCRIPTION	DATE	BY

REVISIONS

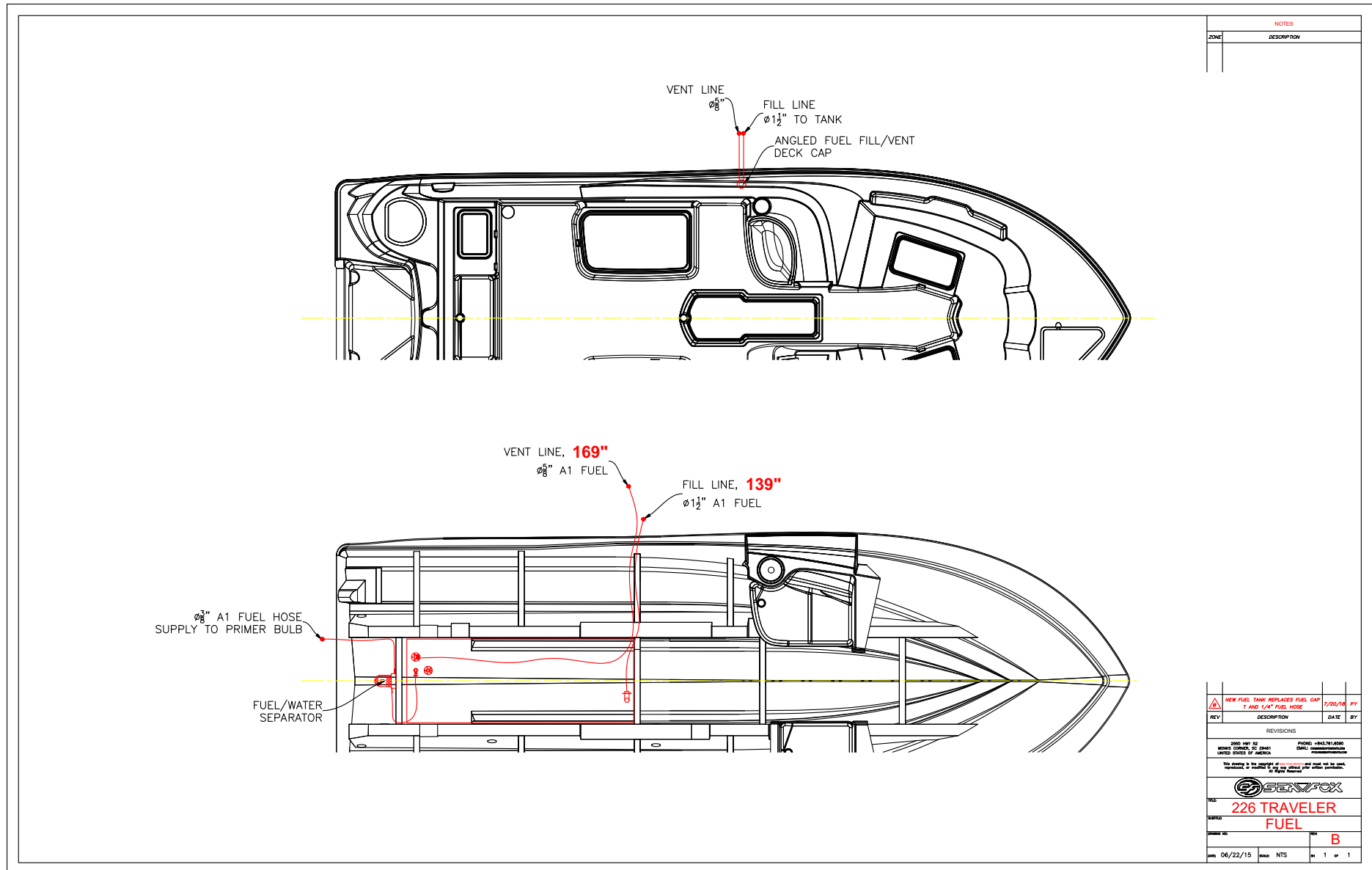
THIS COPY IS UNLESS OTHERWISE SPECIFIED
 UNLESS OTHERWISE SPECIFIED
 UNITED STATES OF AMERICA

THIS DRAWING IS THE PROPERTY OF SEAFOX BOATS AND SHALL NOT BE REPRODUCED OR TRANSMITTED IN ANY FORM OR BY ANY MEANS, ELECTRONIC OR MECHANICAL, WITHOUT THE WRITTEN PERMISSION OF SEAFOX BOATS.

226 TRAVELER FRESH WATER

DATE: 06/22/15 DRAWN: NTS SHEET: 1 OF 1

TRAVELER FUEL SYSTEM



NOTES	
ZONE	DESCRIPTION

REV	DESCRIPTION	DATE	BY

REVISIONS

2000 HWY 52 PHONE: +843.761.6800
 MONROE CORP., SC 29615 EMAIL: customerservice@seafox.com
 UNITED STATES OF AMERICA

This drawing is the property of SeaFox and must not be used, reproduced or modified in any way without prior written permission. © 2015 SeaFox

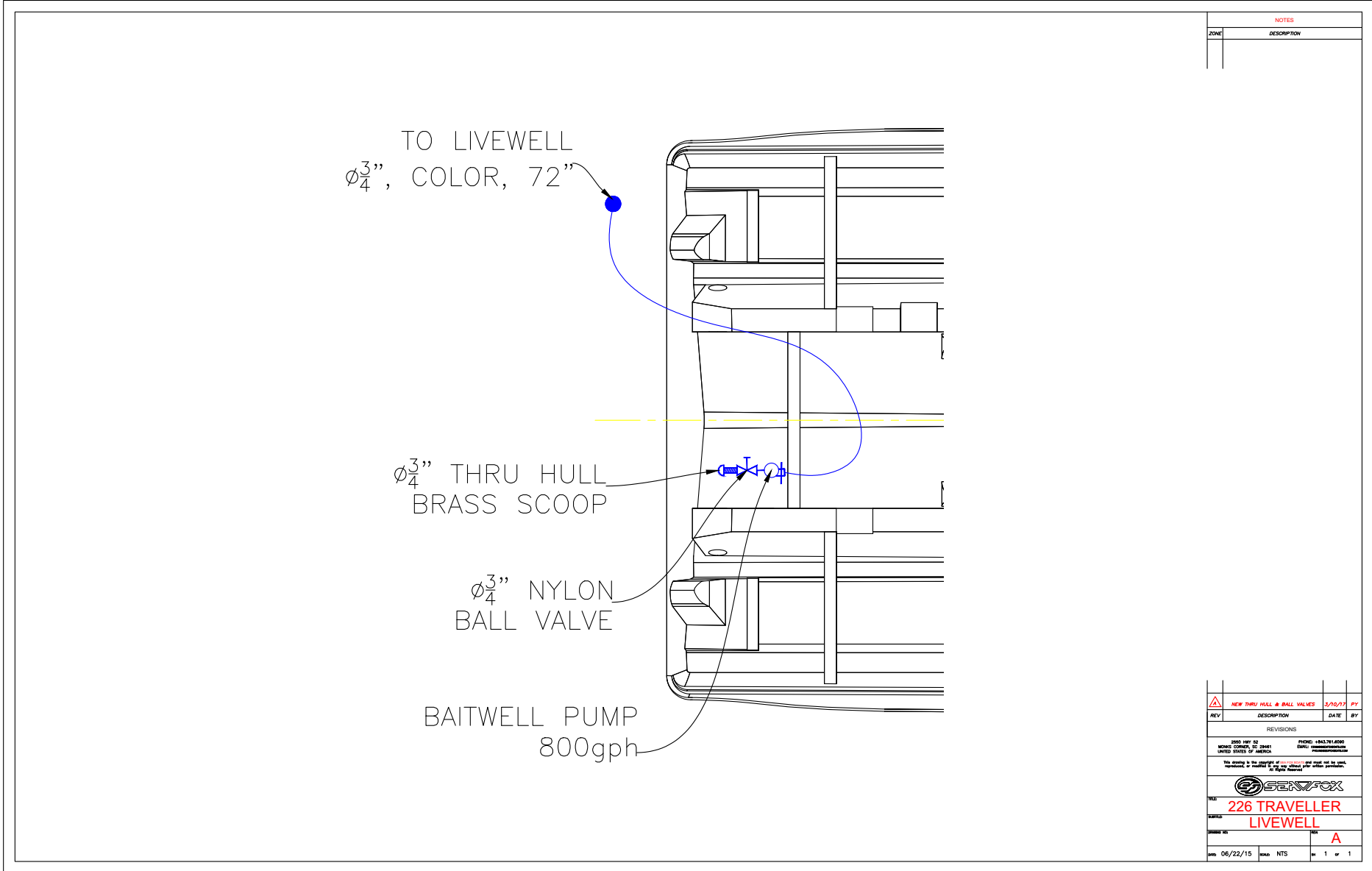
TITLE: **226 TRAVELER FUEL**

SCALE: NTS

DATE: 06/22/15

REV: 1 of 1

TRAVELER LIVEWELL SYSTEM



NOTES	
ZONE	DESCRIPTION

REV	DESCRIPTION	DATE	BY

REVISIONS

2000 Hwy 62 Phone: +843.761.6500
 MORGAN COASTAL, SC 29401 Email: info@seafox.com
 UNITED STATES OF AMERICA

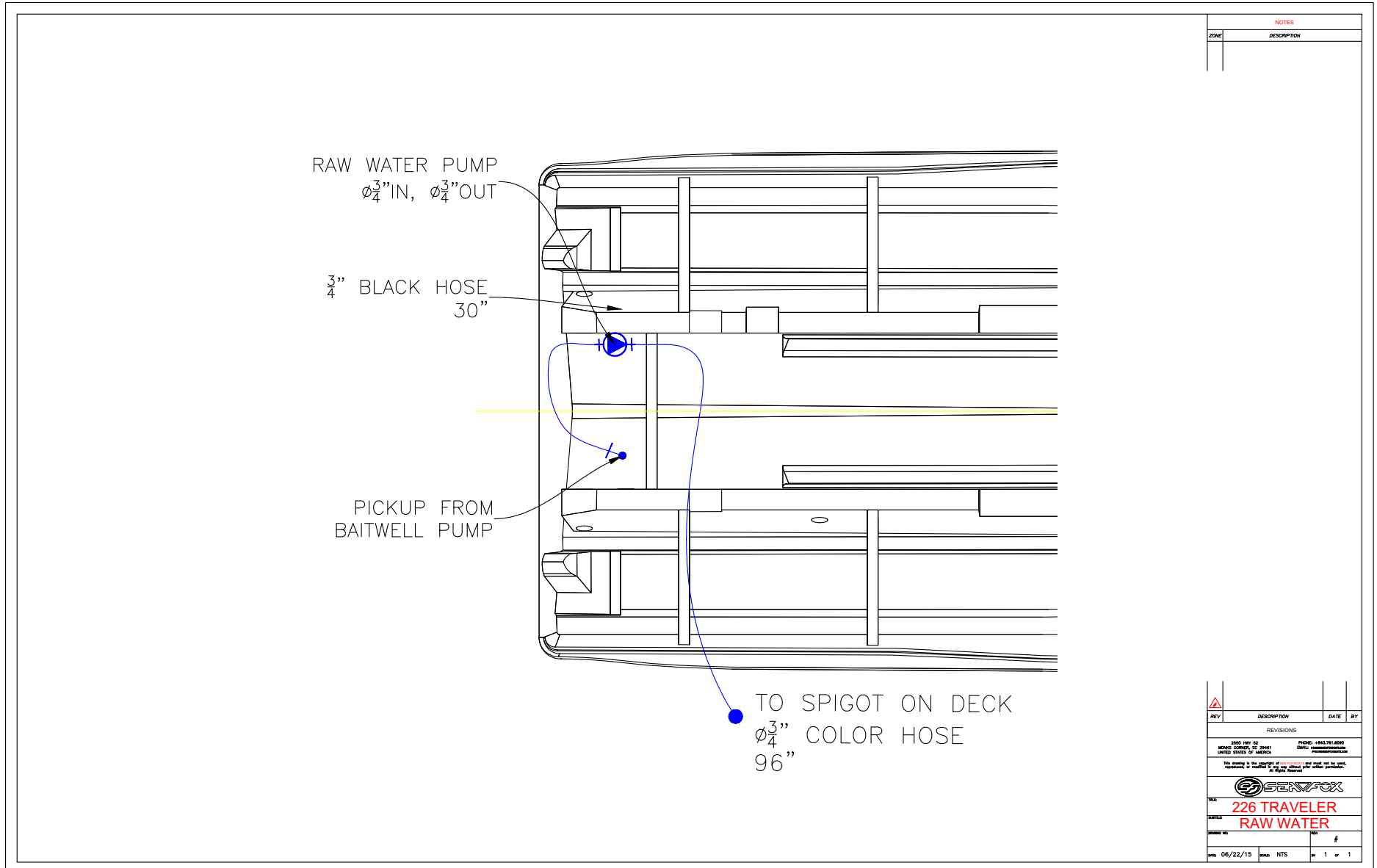
This drawing is the property of SeaFox Boats and shall not be used, reproduced or modified in any manner without written permission.
 All Rights Reserved

MODEL: **226 TRAVELLER**
LIVEWELL

REVISED BY: **A**

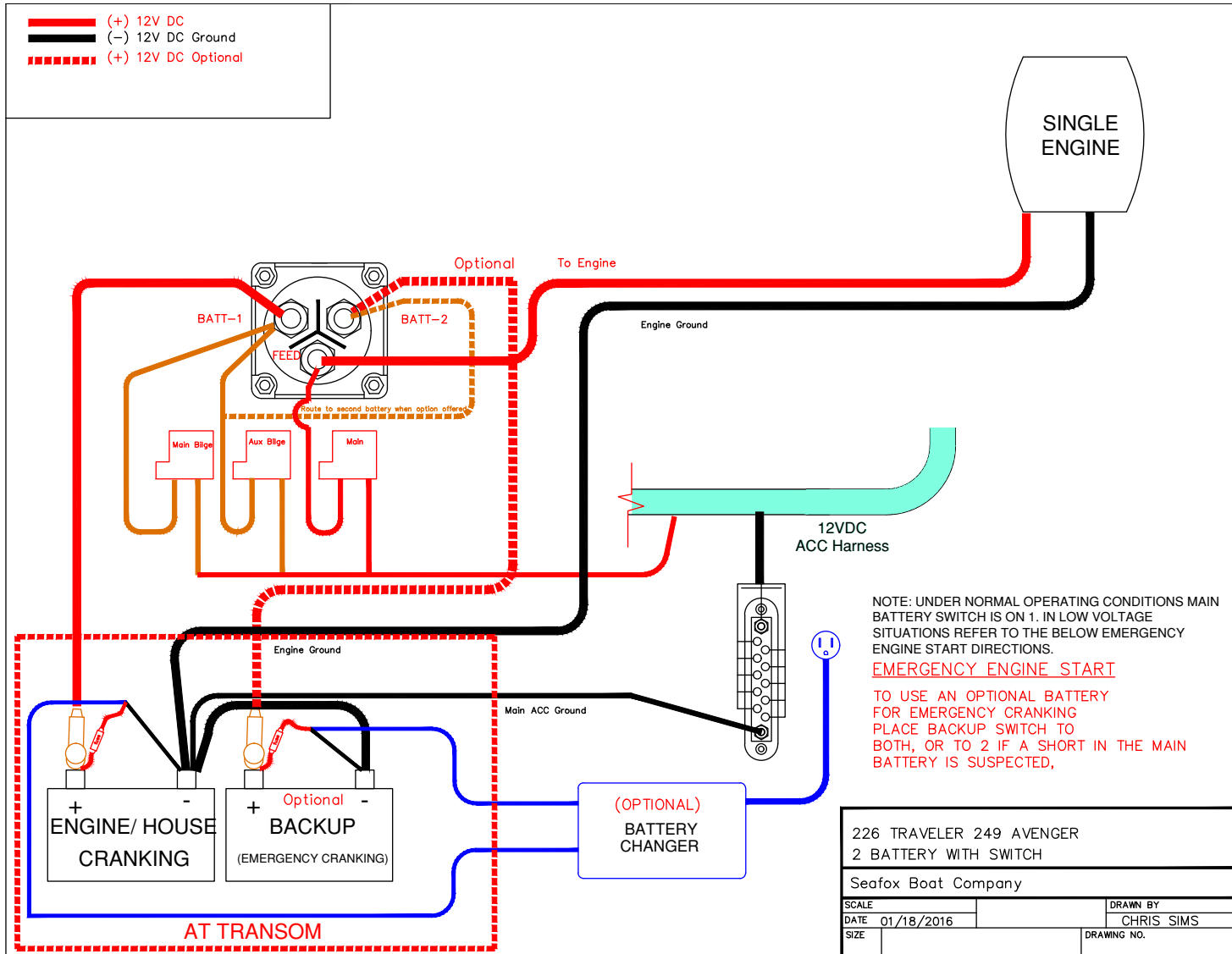
DATE: 06/22/15 SCALE: NTS SHEET: 1 OF 1

TRAVELER RAW WATER SYSTEM

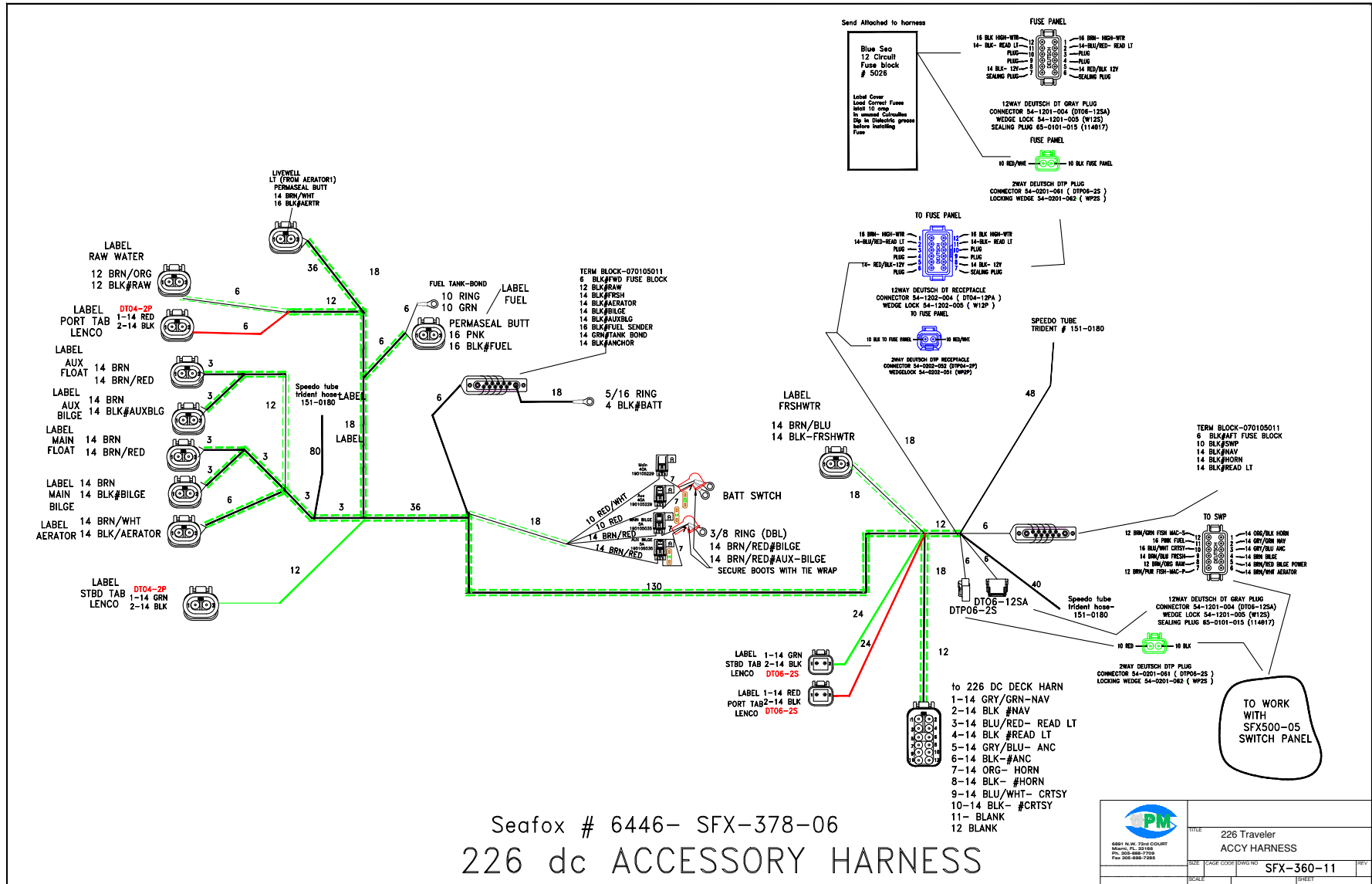


ELECTRICAL SCHEMATICS

TYPICAL 2-BATTERY SETUP WITH TRANSOM



DC ACCESSORY HARNESS (P/N 6446)

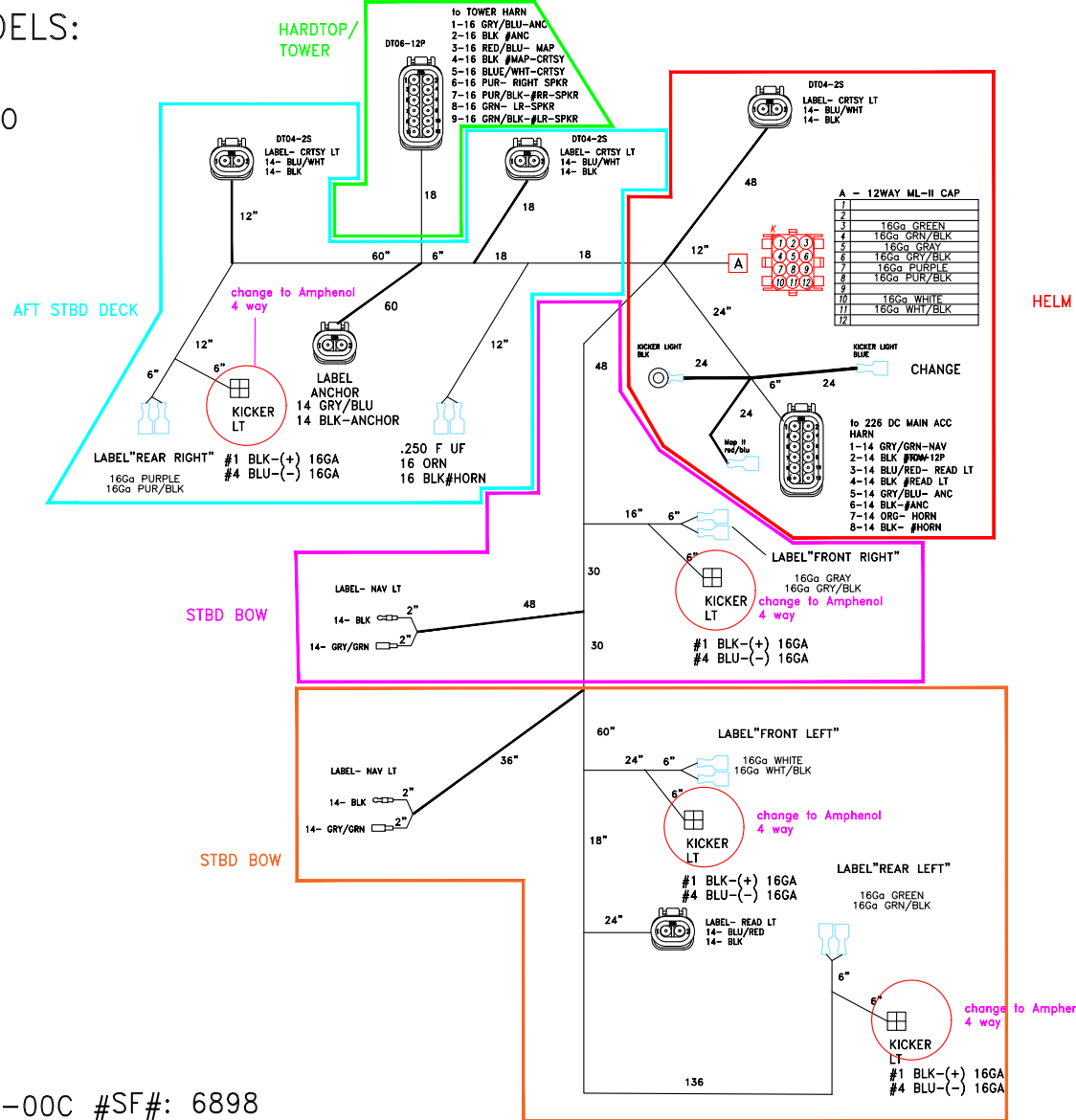


Seafox # 6446- SFX-378-06
 226 dc ACCESSORY HARNESS

	TITLE	226 Traveler ACCY HARNESS
	DATE	SCALE
<small>888 N.W. 13th COURT Miami, FL 33156 Ph: 305-888-7700 Fax: 305-888-7705</small>	SIZE	DATE CODES DWG NO. SFX-360-11 REV
SCALE	DATE	

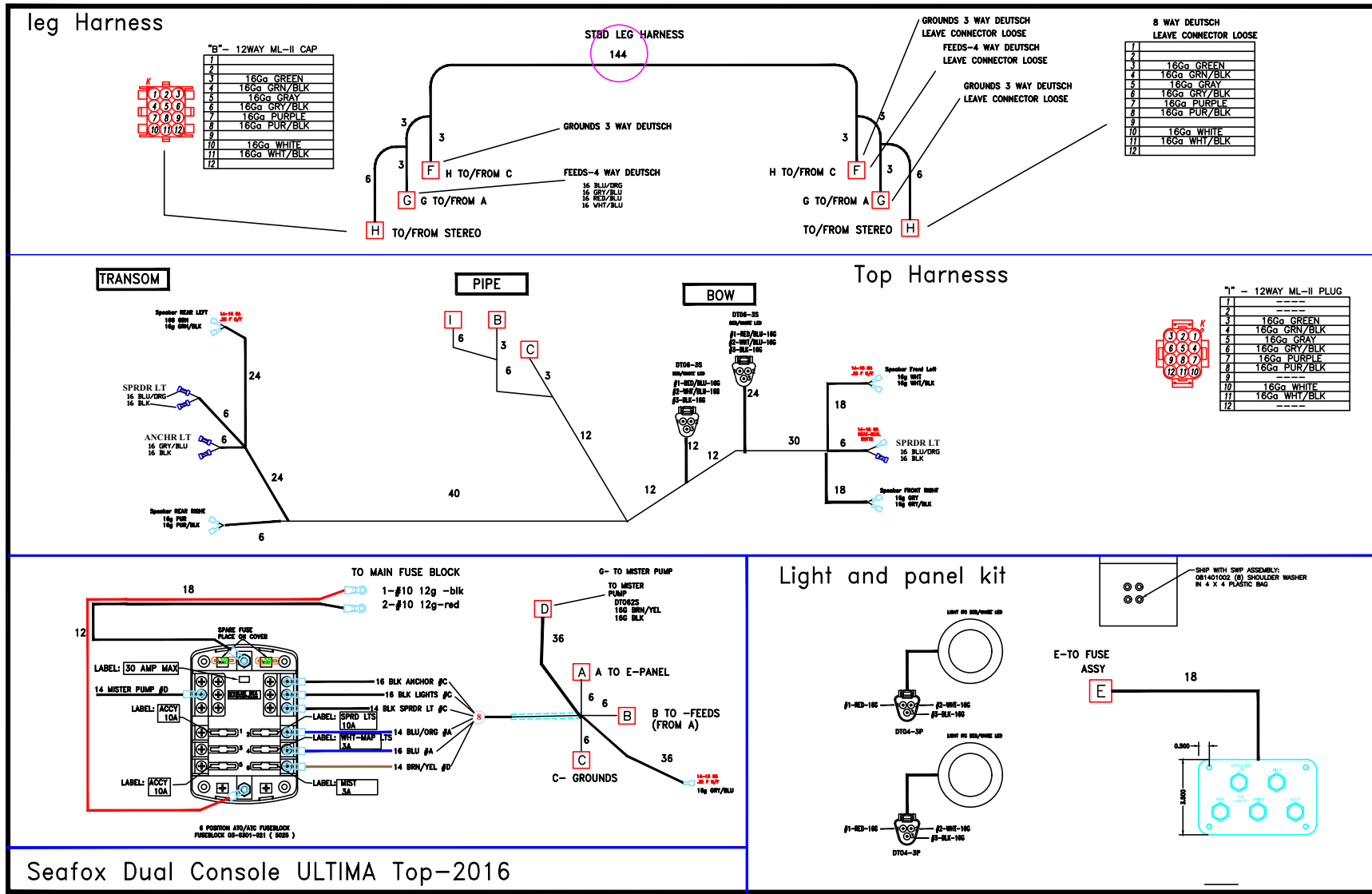
HARNESS DECK/LINER KICK/INFIN (P/N 6898)

WORKS ON MODELS:
226 TRAVELER
W/ KICKER STEREO



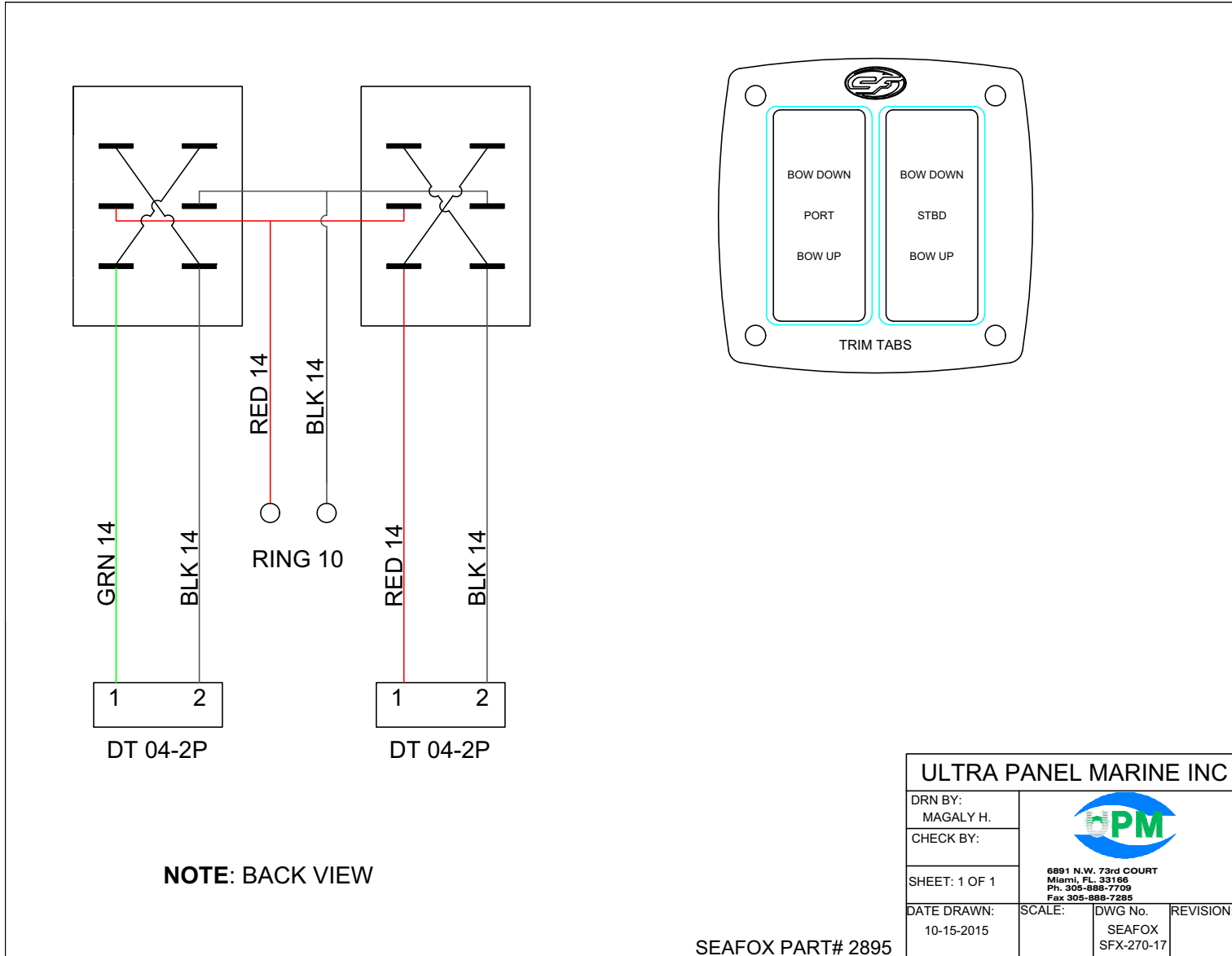
upm#: SFX-1030-00C #SF#: 6898

HARNES DUAL CONSOLE ULTIMA TOP

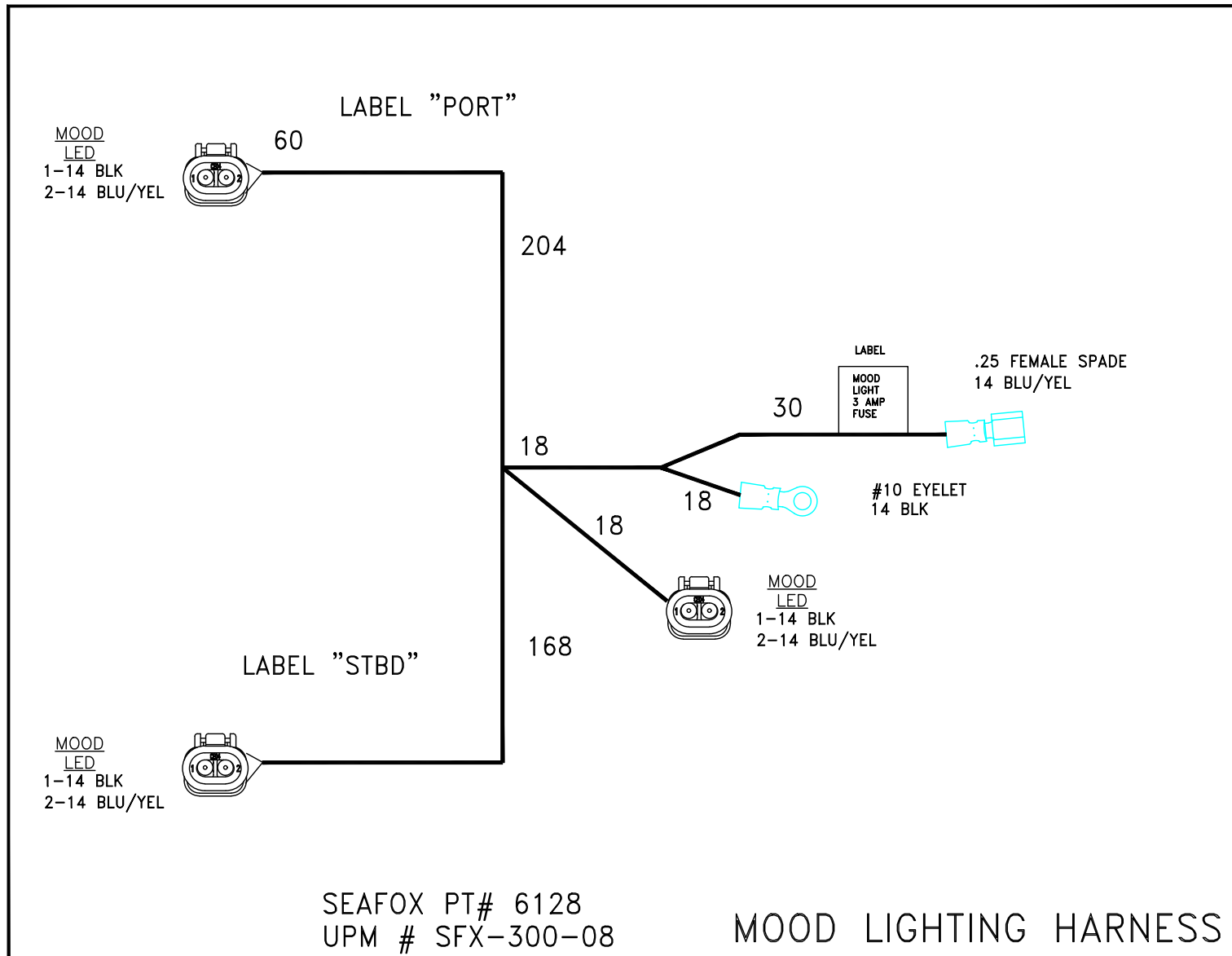


Seafox Dual Console ULTIMA Top-2016

TRIMTABS ELECTRIC SWITCH STANDARD (P/N 2895) – OPTIONAL



HARNESS MOOD LIGHT W/ DEUTSCH (P/N 6128) – OPTIONAL

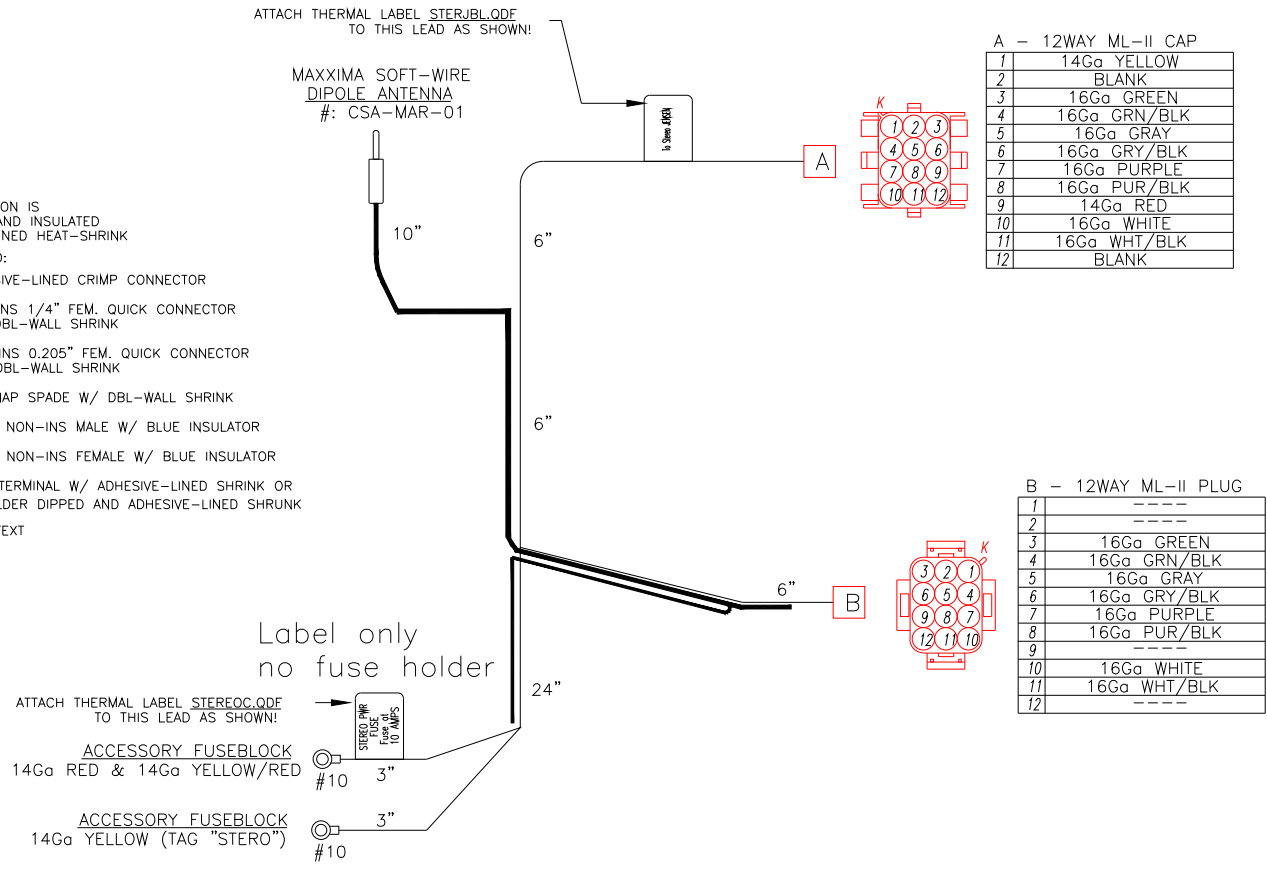


HARNESS STEREO INFINITY CON (P/N 6129) – OPTIONAL

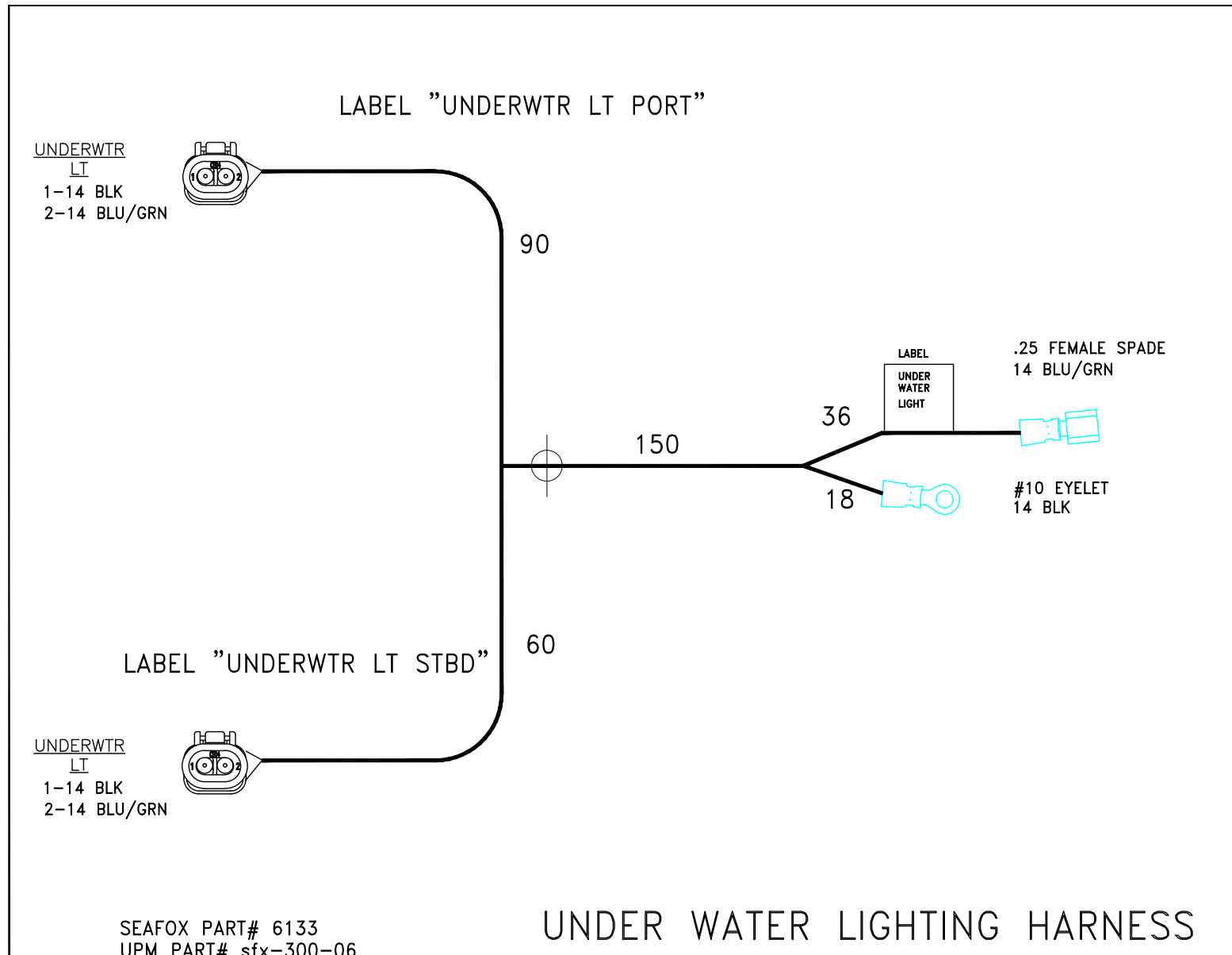
CUSTOMER SEAFOX BOAT CO. W/O # _____
 PART # 6129 UPM# SFX-300-09 DUE DATE _____
 FILENAME _____ MODEL ALL MODELS
 DESCRIPTION HARNESS STEREO INFINITY/JENSEN

NOTES:

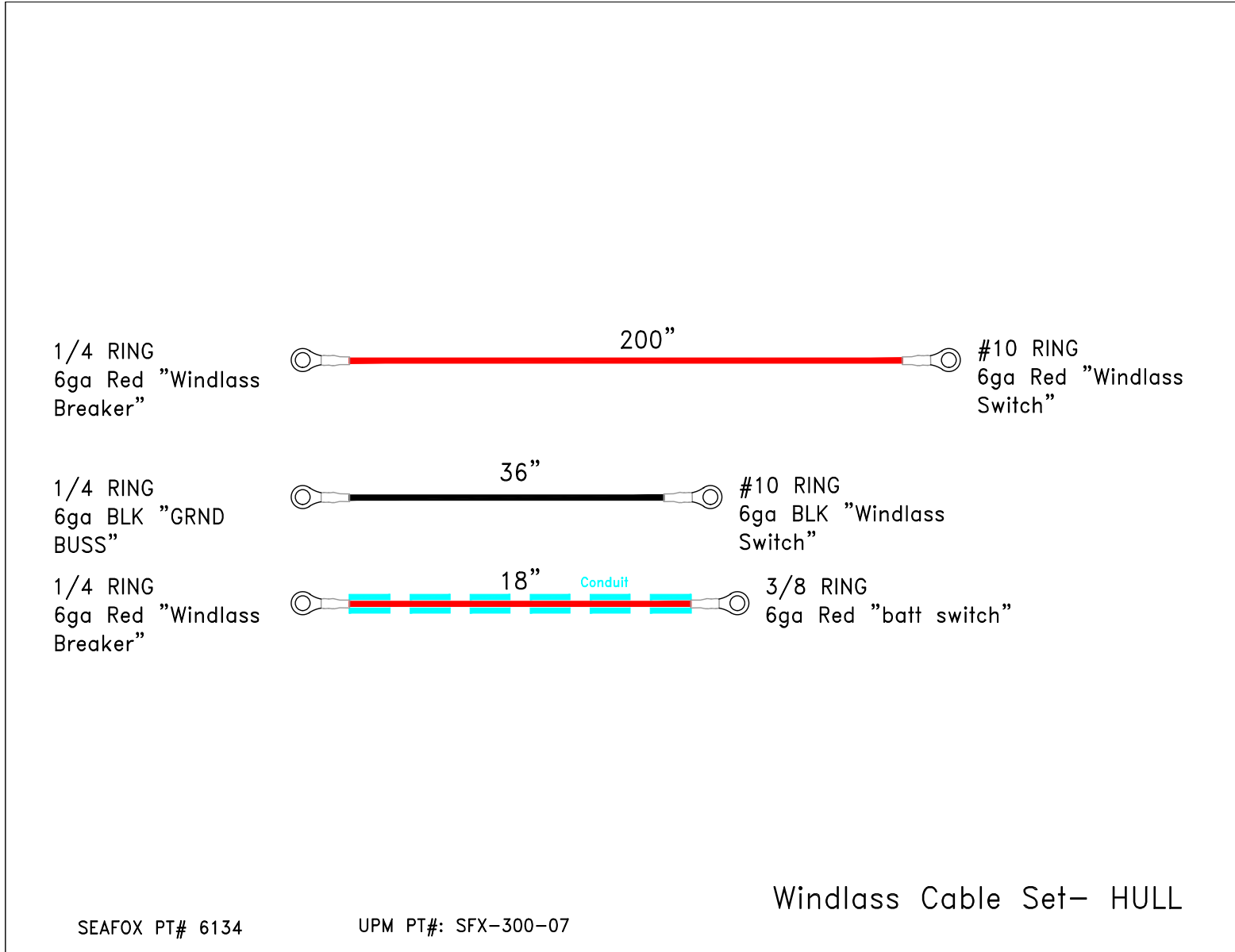
- (1) SPLICE CONNECTION IS SOLDER DIPPED AND INSULATED WITH ADHESIVE-LINED HEAT-SHRINK
- (2) TERMINAL LEGEND:
- = ADHESIVE-LINED CRIMP CONNECTOR
 - = NON-INS 1/4" FEM. QUICK CONNECTOR W/ DBL-WALL SHRINK
 - = NON-INS 0.205" FEM. QUICK CONNECTOR W/ DBL-WALL SHRINK
 - = #8 SNAP SPADE W/ DBL-WALL SHRINK
 - = 0.156 NON-INS MALE W/ BLUE INSULATOR
 - = 0.156 NON-INS FEMALE W/ BLUE INSULATOR
 - = RING TERMINAL W/ ADHESIVE-LINED SHRINK OR SOLDER DIPPED AND ADHESIVE-LINED SHRUNK
- (3) " " = TAGGING TEXT



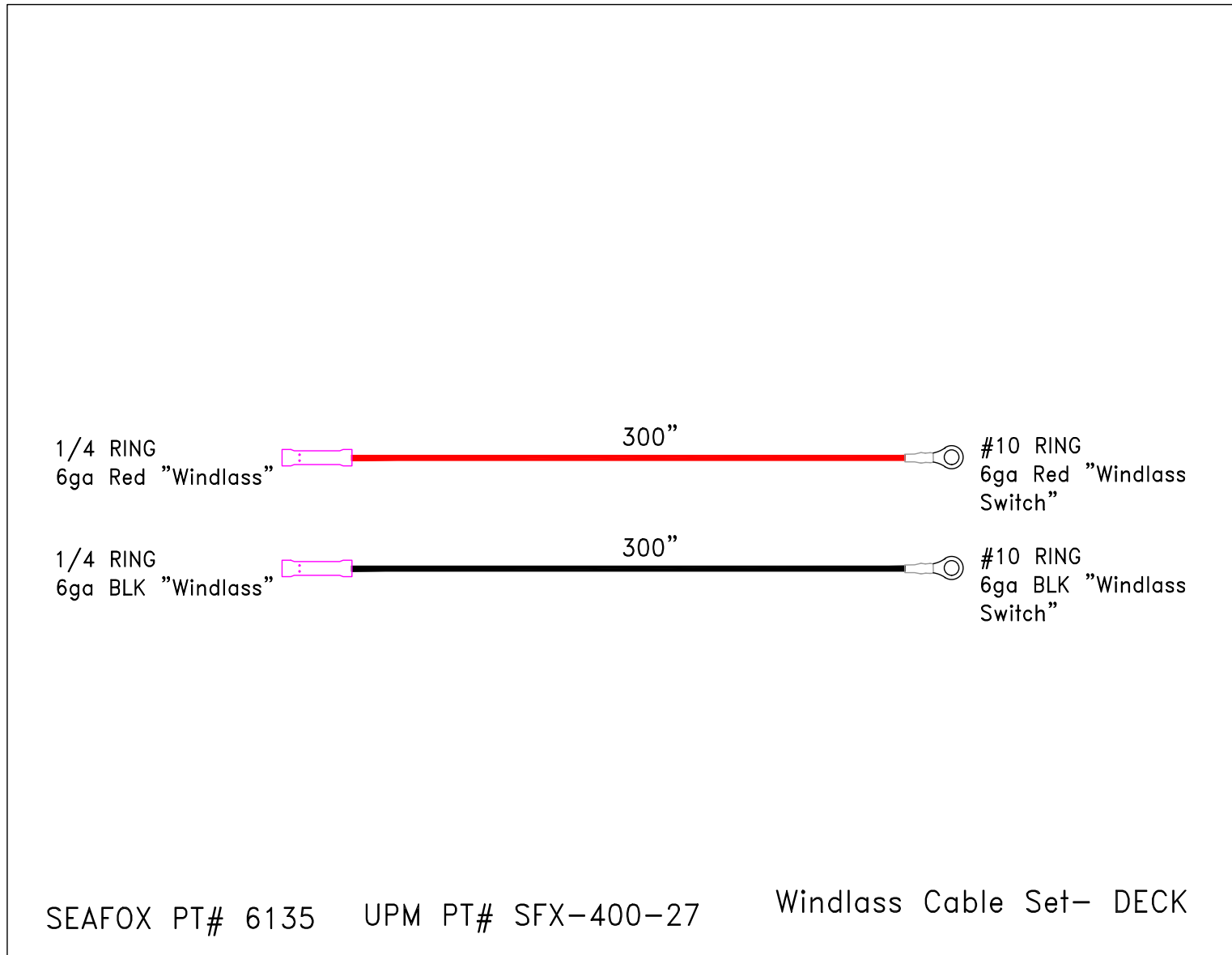
HARNES UNDERWATER LIGHT W/ DEUTSCH (P/N 6133) – OPTIONAL



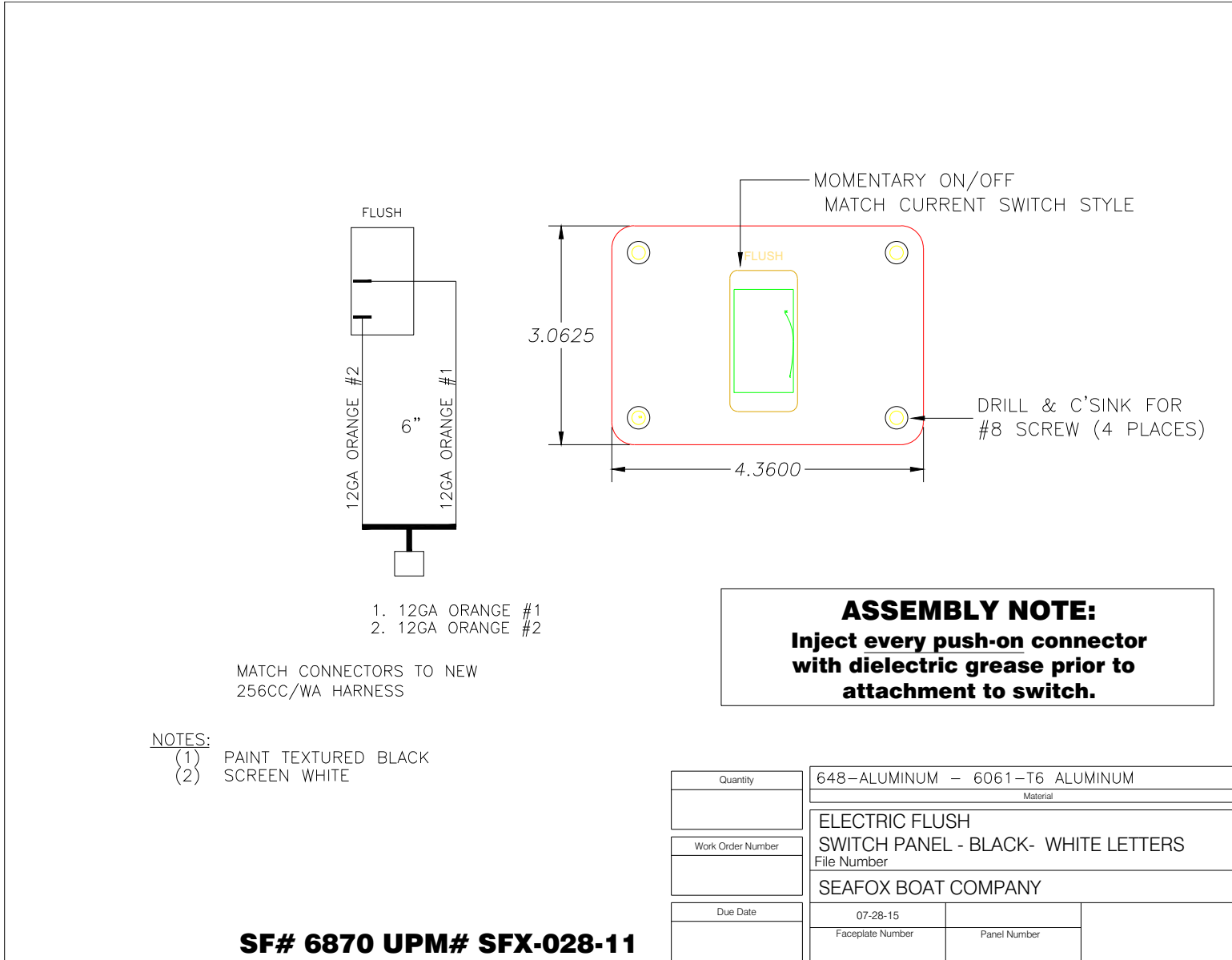
HARNES WINDLASS HULL AFT BATTERY (P/N 6134) – OPTIONAL



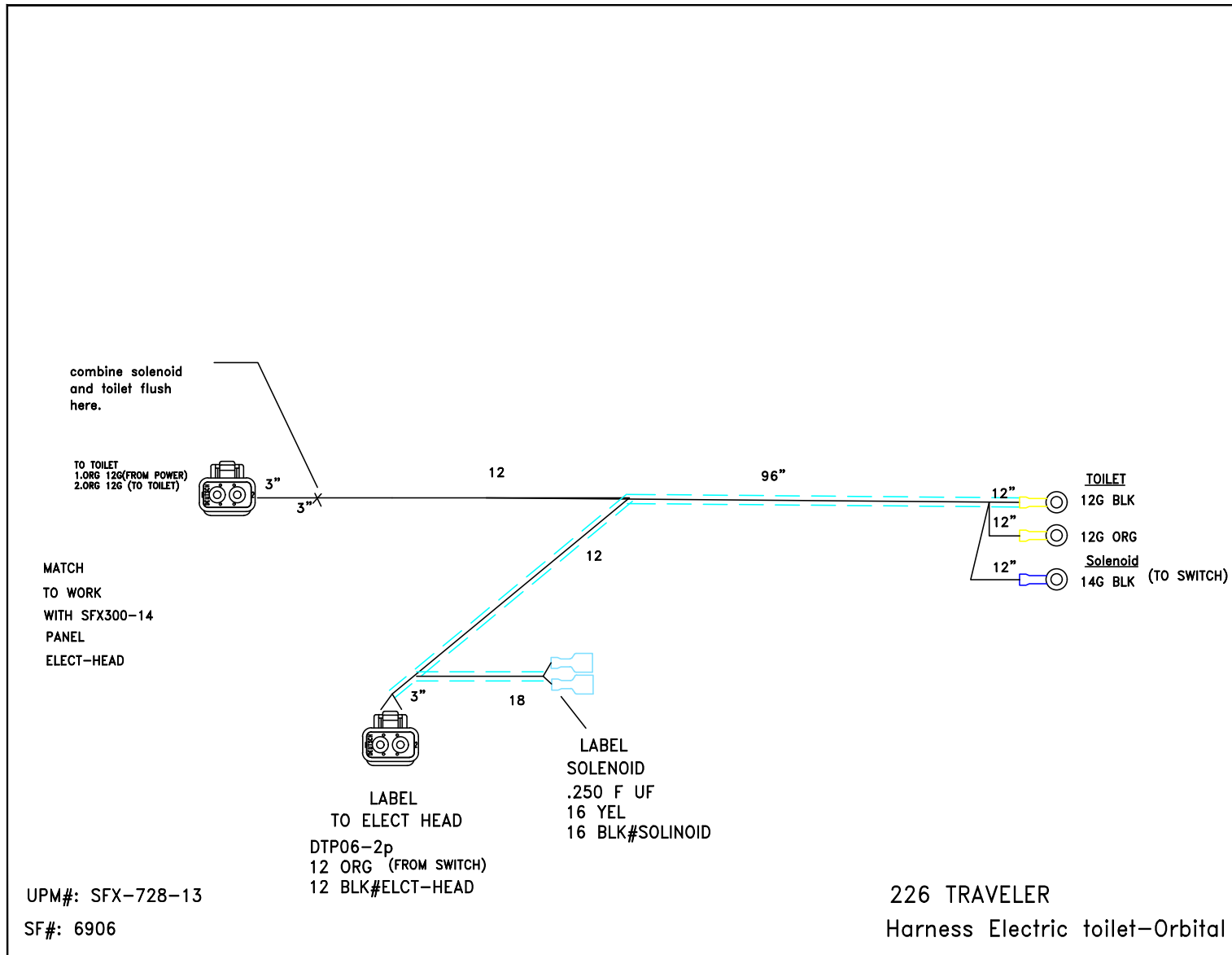
HARNESS WINDLASS DECK OPTION (P/N 6135) – OPTIONAL



HEAD PANEL SWITCH ORB (P/N 6870) – OPTIONAL



HEAD HARNESS ORB 226DC (P/N 6906) – OPTIONAL





This Page Intentionally Left Blank

This Page Intentionally Left Blank



This Page Intentionally Left Blank

This Page Intentionally Left Blank



This Page Intentionally Left Blank



Sea Fox Boat Company, Inc.
2550 Highway 52
Moncks Corner, SC 29461-5024

Telephone: 843-761-6090
www.seafoxboats.com

Ken Cook Co.
Printed in U.S.A.
Rev 0819