



# Owner's Manual Supplement

[www.SeaFoxBoats.com](http://www.SeaFoxBoats.com)

## **SEA FOX BOAT'S DISCLAIMER**

The following Owner's Manual is provided for information and educational purposes only and is not intended to offer or provide legal advice or create a contractual relationship between Sea Fox Boat Company and the owner of any Sea Fox brand vessel. Please beware that as a vessel owner you have non-delegable responsibilities regarding the safety, maintenance, fitness, and operation of your vessel and the extent of such responsibilities is ultimately determined by Federal law and regulations, the general maritime law of the United States, the laws and regulations of the states and territories of the United States, or the laws and regulations of the country where you operate your vessel. To fully understand your responsibilities as a vessel owner, and before operating or letting any third-party operate your vessel, we recommend that you consult the services of a qualified lawyer in admiralty and maritime law.

# TABLE OF CONTENTS

Introduction . . . . .	3	Typical 2-Battery Setup in Console . . . . .	12
Specifications . . . . .	3	Harness Trolling Motor 180-240 (P/N 4823) . . . . .	13
Designated Occupant Seating . . . . .	4	Harness Main 180-200-186-206 (P/N 6119) . . . . .	14
Plumbing Schematics . . . . .	5	Harness Nav Short . . . . .	15
Viper Livewell System . . . . .	5	Panel . . . . .	16
Viper Raw Water System . . . . .	6	Trimtabs Electrical Switch Standard (P/N 2895) – Optional . . . . .	17
Viper Fresh Water System . . . . .	7	Harness Mood Light w/Deutsch (P/N 6128) – Optional . . . . .	18
Viper Drains . . . . .	8	Harness Stereo Infinity Con (P/N 6129) – Optional . . . . .	19
Viper Drains (Continued) . . . . .	9	Harness Stereo Infinity Deck (P/N 6130) – Optional . . . . .	20
Viper Fuel System . . . . .	10	Harness Underwater Light w/Deutsch (P/N 6133) – Optional . . . . .	21
Viper Bilge System . . . . .	11	Harness Trimtab Electric 20 ft Lenco (P/N 6564) – Optional . . . . .	22
Electrical Schematics . . . . .	12		



This Page Intentionally Left Blank

## INTRODUCTION

**Congratulations and Welcome Aboard!** With so many boat brands to choose from, we want to congratulate you on your decision to choose Sea Fox Boats. For more than 24 years, Sea Fox offers the finest hand-crafted saltwater boats carefully balanced with the build-quality, features, styling and performance for the fairest price. Our passion for boating is evident in every model we make and we appreciate that you've noticed the Sea Fox difference.

We share your love for the moments spent on the water with friends and family, which is why every Sea Fox boat offers a unique blend of fishing/family options, technologies and innovative features. Your choice of a Sea Fox affirms that you have performed your research and compared the value of your model with the competition.

Whether you are new to the boating lifestyle or an old salt, we ask that **you and all other operators** read the owner's manual, this supplement, and all other literature provided with the boat **before** operating the boat or any equipment. We also recommend that all operators enroll in a boating safety course available online - see References and Contact Information in this section for education resources online.

This supplement contains model-specific information not included with the owner's manual. This manual is not intended to be a replacement for specific product literature provided by engine, accessory or other major equipment manufacturers, but rather to supplement that information.

Because of our philosophy of continuous product improvement, this manual serves as a general guide only, so the specifications and illustrations used may not match the equipment on your boat and are intended only as general reference views.

*We welcome you to the Sea Fox family and wish you many years of boating enjoyment!*

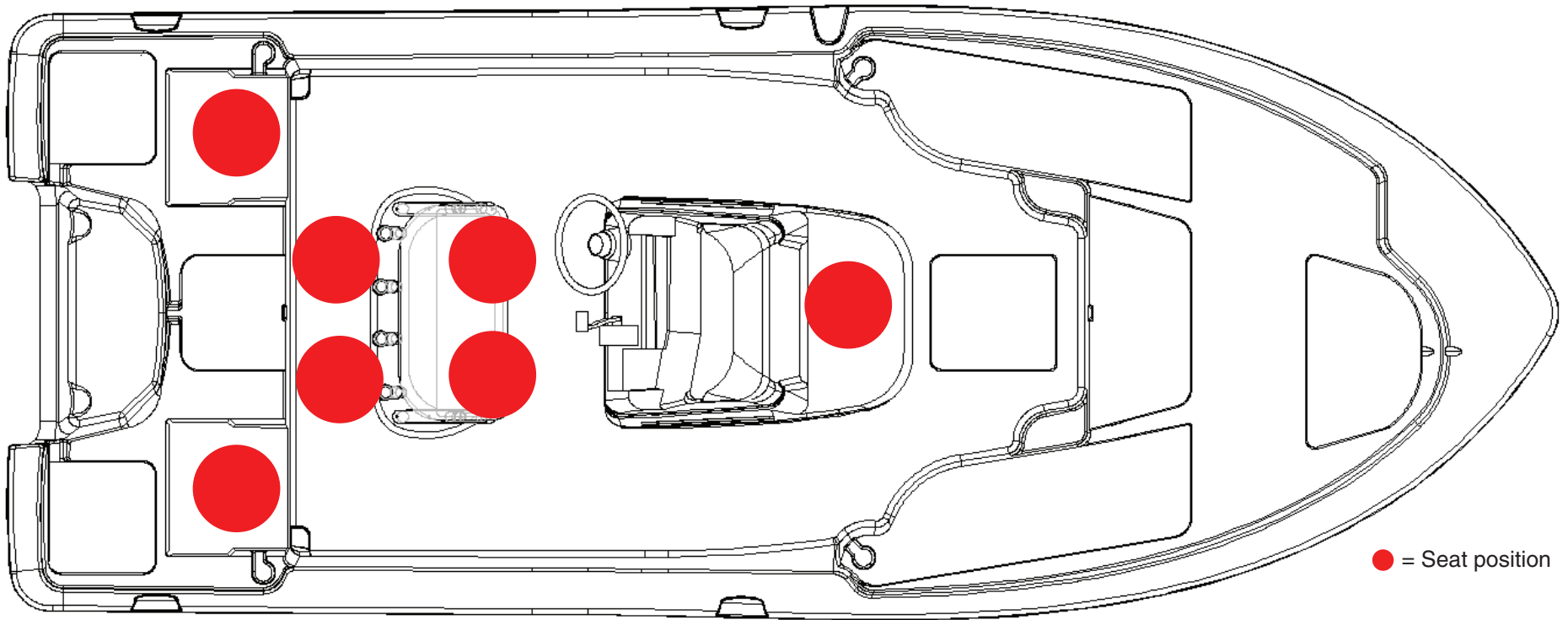
## SPECIFICATIONS

Max. Weight Capacity	1800 lbs (816 kg)
Persons	7
Persons Weight	1000 lbs (454 kg)
Max. HP	175 hp (130 kw)
L.O.A.	20' 1" (6.12 m)
Beam	8' (2.44 m)
Draft	13 in. (0.33 m)
Height, Keel to Top (Light Folded)	103 in. (2.62 m)
Bridge Clearance Hard Top	90 in. (2.29 m)
Max. Weight Boat	2950 lbs (1338 kg)
Fuel Tank Capacity	48 gal (182 L)
Freshwater Tank Capacity	6 gal (23 L)
Holding Tank Capacity	N/A



## DESIGNATED OCCUPANT SEATING

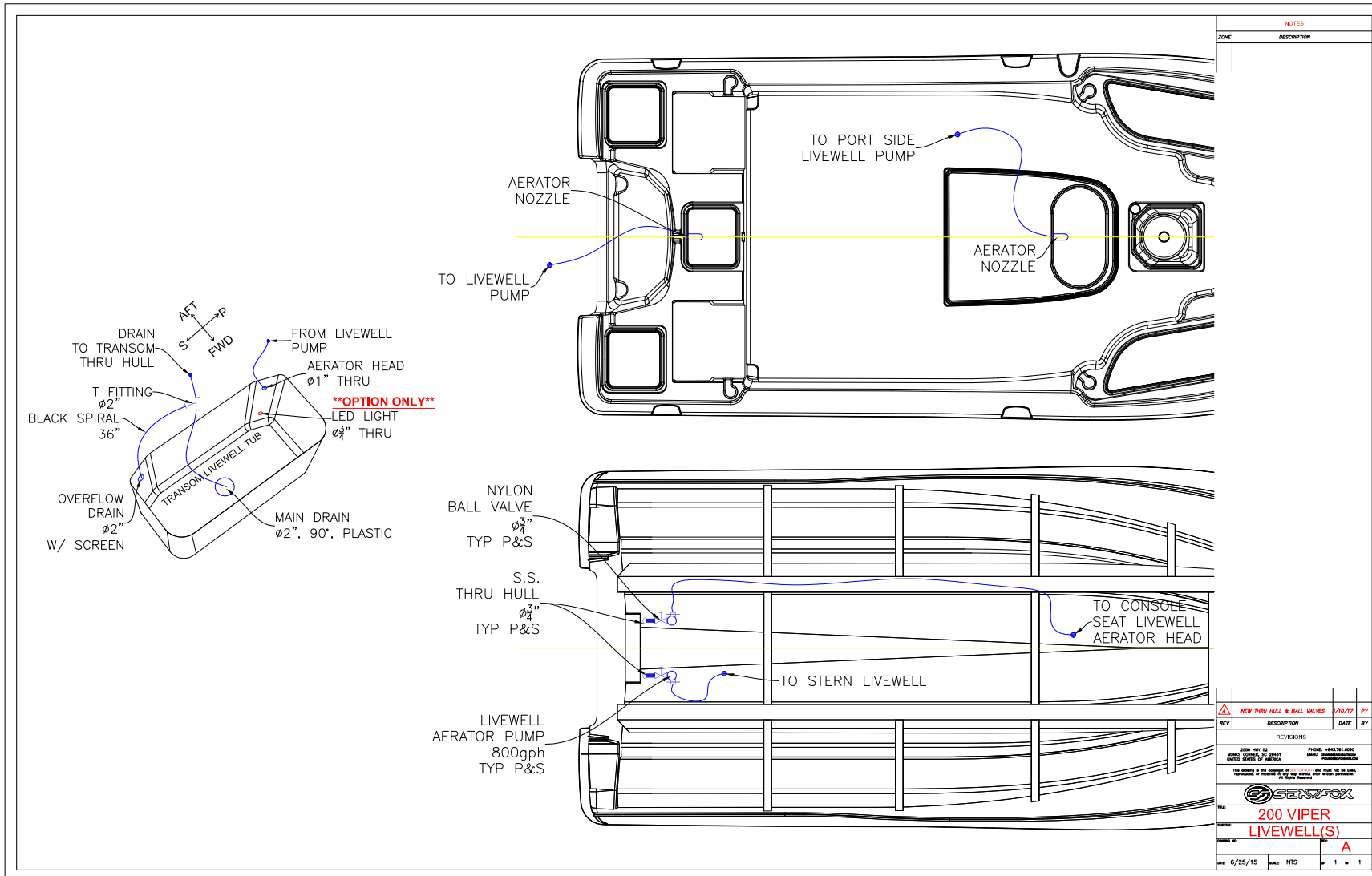
Be sure all passengers are properly seated in designated seating positions and not riding on the bow, bow pulpit, deck, gunwale or rear sun deck while underway. Passengers must use hand-holds and use caution when riding in the bow. Move to the aft passenger seats during rough water operation or if visibility is restricted.



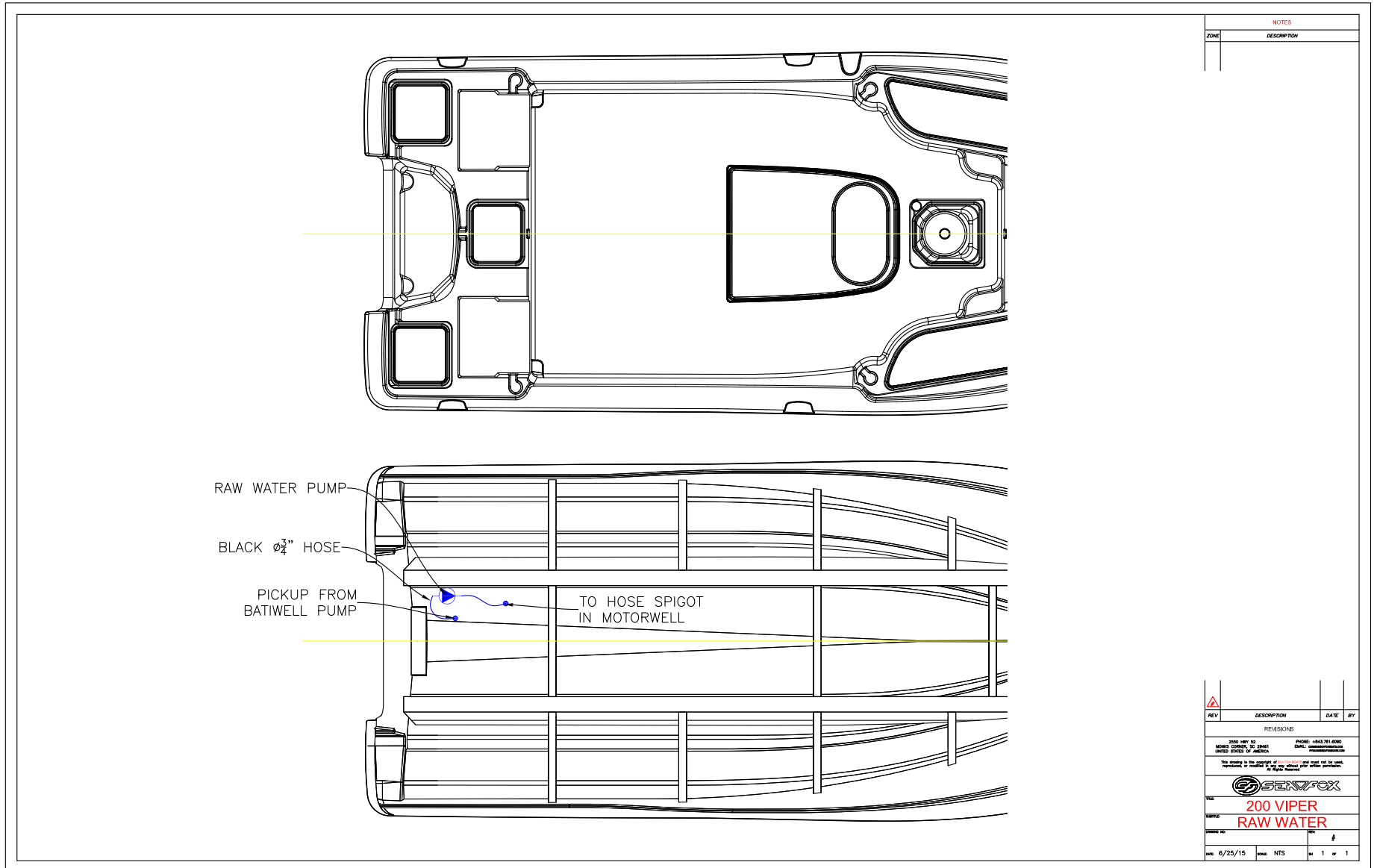
SFOX-0013

# PLUMBING SCHEMATICS

## VIPER LIVEWELL SYSTEM



# VIPER RAW WATER SYSTEM




NOTES	
ZONE	DESCRIPTION

REV	DESCRIPTION	DATE	BY

REVISIONS

2000 HWY 92      PHONE: 864.791.1000  
 MOBILE: 864.791.1001      FAX: 864.791.1002  
 UNITED STATES OF AMERICA

This drawing is the property of SEAFOX and shall not be used, reproduced or altered in any manner, prior written permission of SEAFOX.

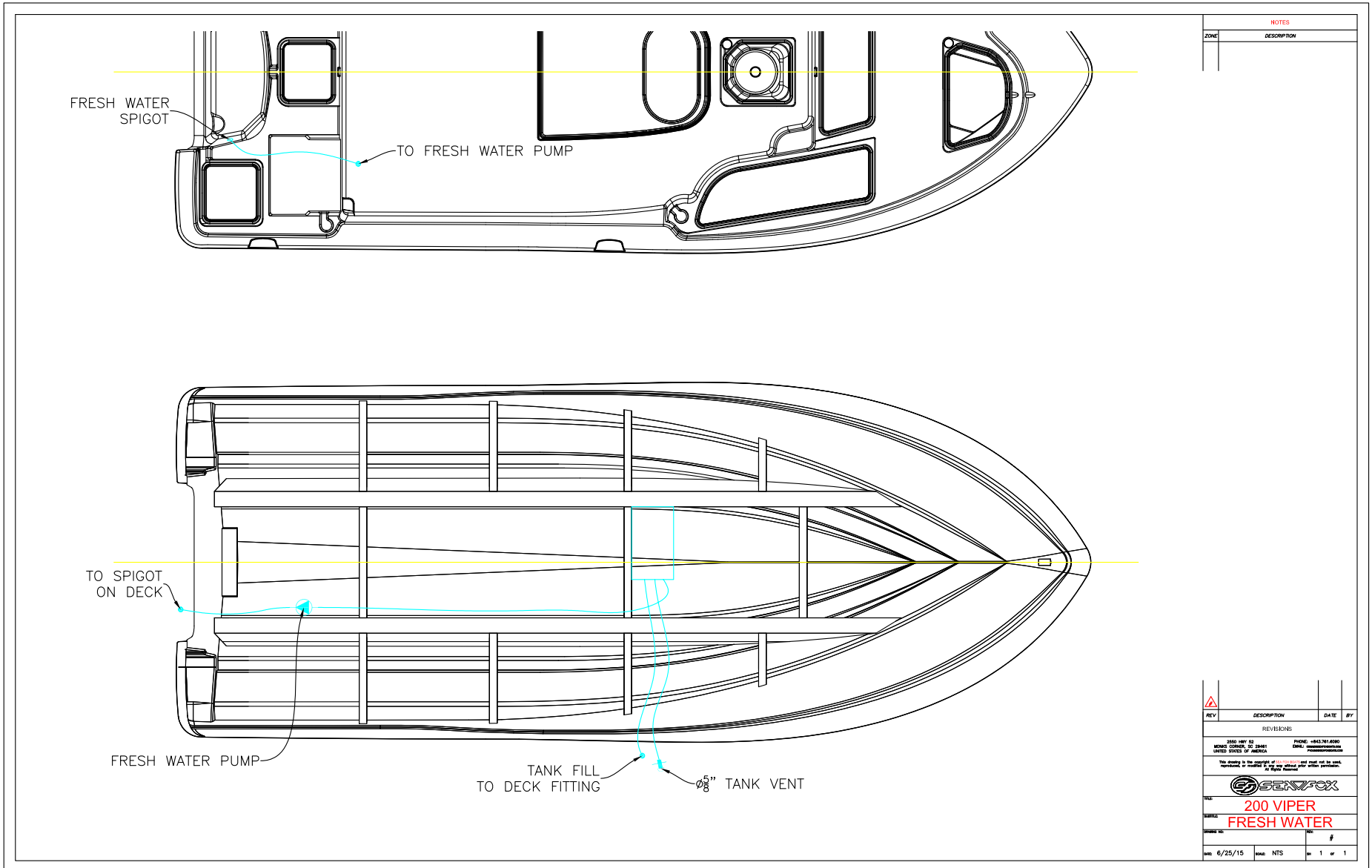


MODEL: **200 VIPER**  
 SYSTEM: **RAW WATER**

DATE: 6/25/15      DRAWN BY: NTS      SHEET: 1 OF 1



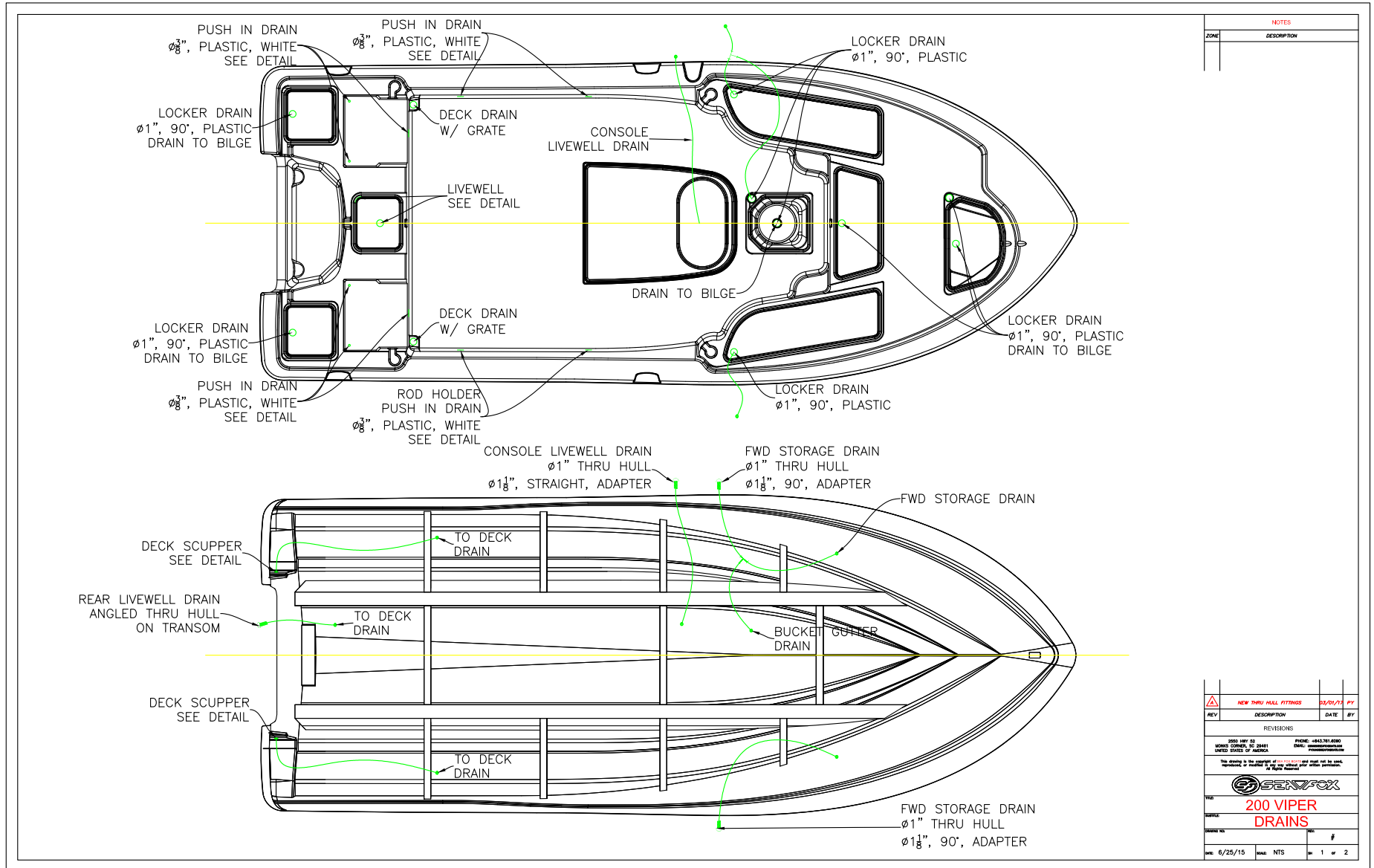
# VIPER FRESH WATER SYSTEM



NOTES	
ZONE	DESCRIPTION

REV	DESCRIPTION	DATE	BY
REVISIONS			
<small>3550 HWY 82 MIRAGE BOATING CO. INC. UNITED STATES OF AMERICA</small>			
<small>PHONE: +845.761.6800 EMAIL: <a href="mailto:info@seafoxboats.com">info@seafoxboats.com</a></small>			
<b>200 VIPER</b>			
<b>FRESH WATER</b>			
DATE: 6/25/15		ISSUE: NTS	
		PAGE: 1 of 1	

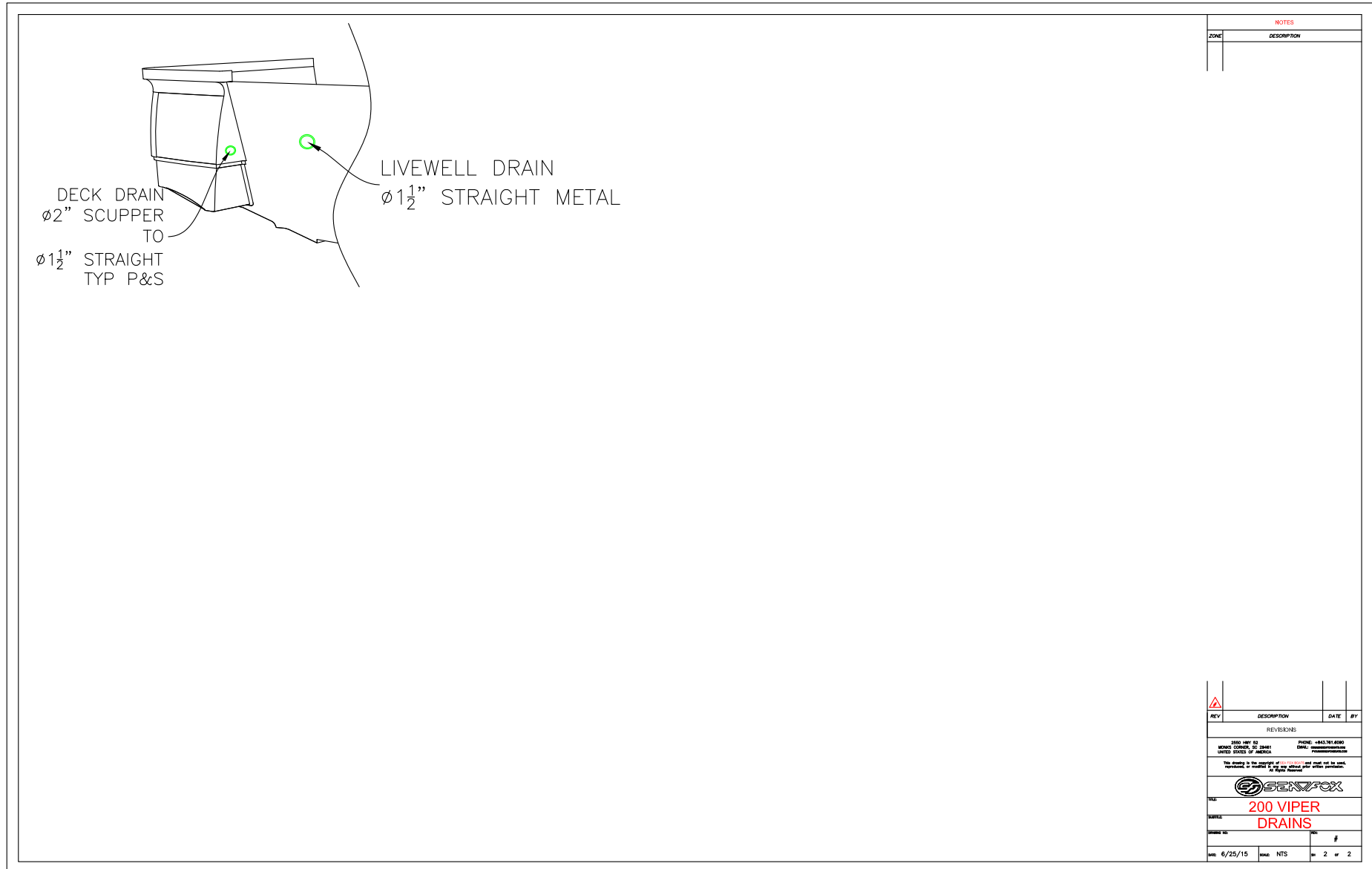
# VIPER DRAINS



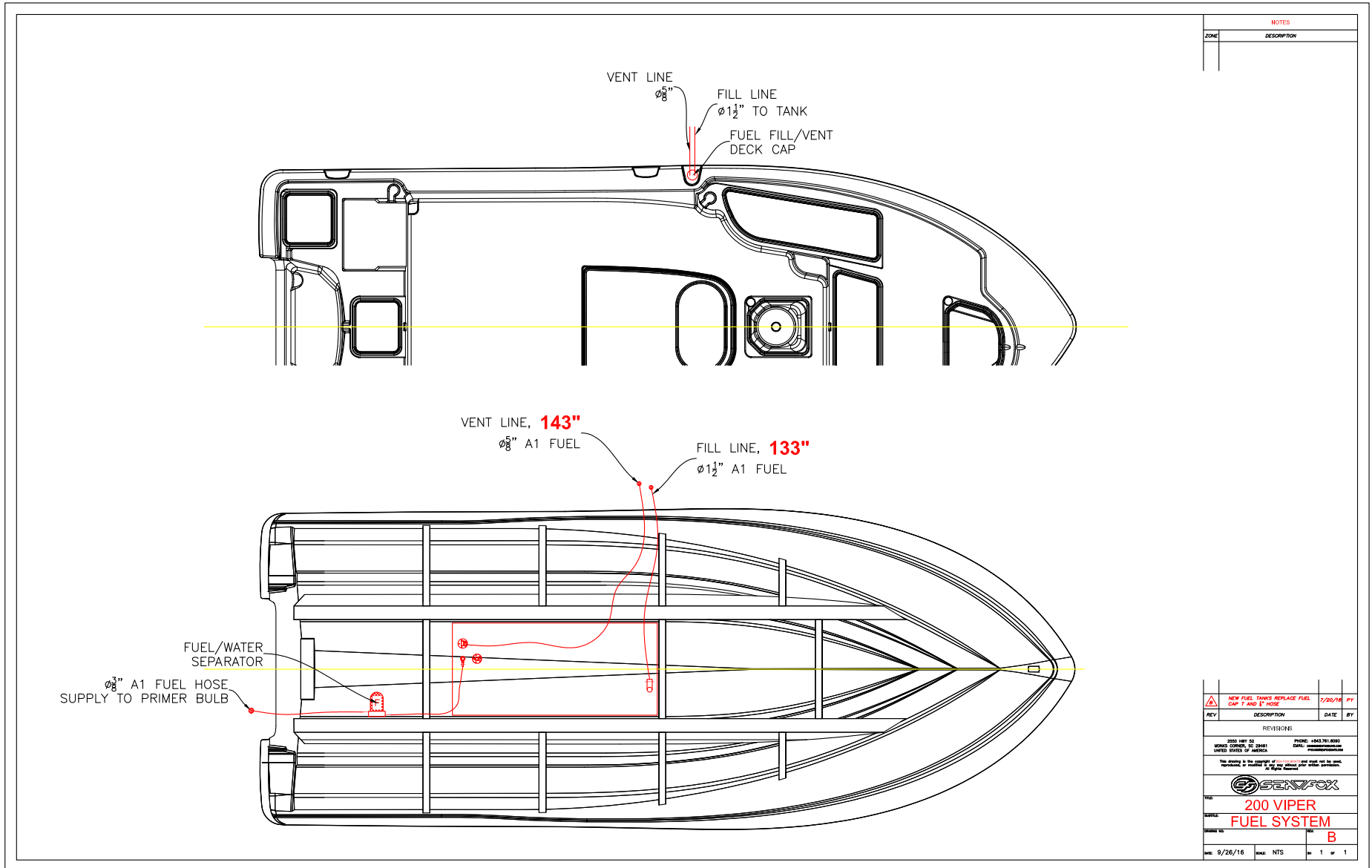
NOTES	
ZONE	DESCRIPTION

NEW THRU HULL FITTINGS 03/01/15 P/F			
REV	DESCRIPTION	DATE	BY
REVISIONS			
0000	REV 02	03/01/15	0000
<small>           2000 WEST 32            WYOMING BEACH, NC 28401            UNITED STATES OF AMERICA            TEL: 252.781.1111 FAX: 252.781.1112            WWW.SEAFOX.COM         </small>			
<b>200 VIPER DRAINS</b>			
DATE	REV	#	
06/25/15	NTS	1 of 2	

VIPER DRAINS (CONTINUED)



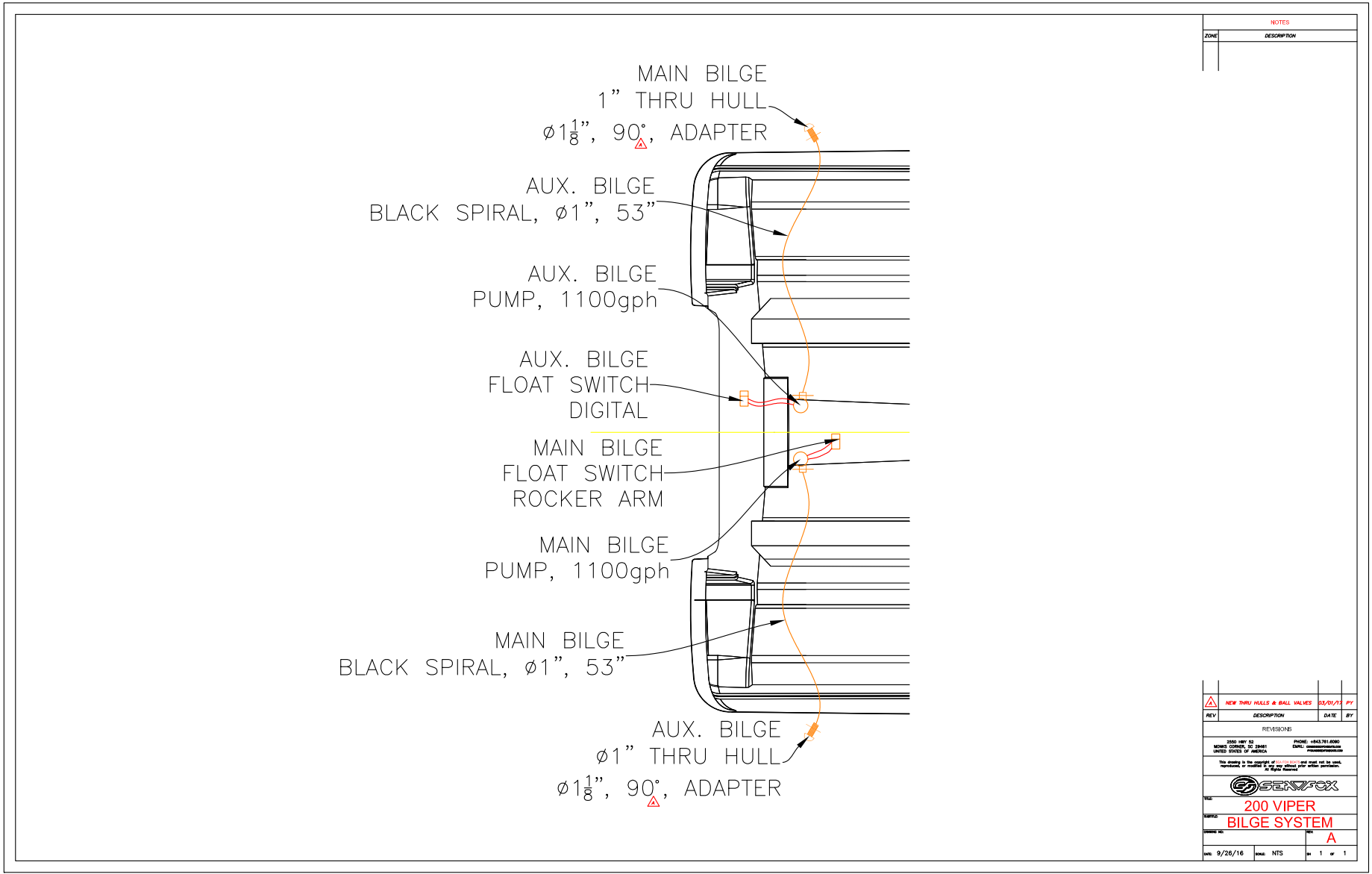
# VIPER FUEL SYSTEM



NOTES	
ZONE	DESCRIPTION

NEW FUEL TANKS REPLACE FUEL CAP T AND I" HOSE			
REV	DESCRIPTION	DATE	BY
REVISIONS			
3300 VENT 02 PHONE: 1-847-781-8000 10000 CENTER, ST. LOUIS, MISSOURI 63143 UNITED STATES OF AMERICA FAX: 1-847-781-8000			
<small>The warranty is the property of SeaFox and shall not be used in connection with any other product.</small>			
<b>200 VIPER FUEL SYSTEM</b>			
MODEL NO.		REV. <b>B</b>	
DATE: 9/26/16	ISSUE: NTS	OF 1 OF 1	

# VIPER BILGE SYSTEM

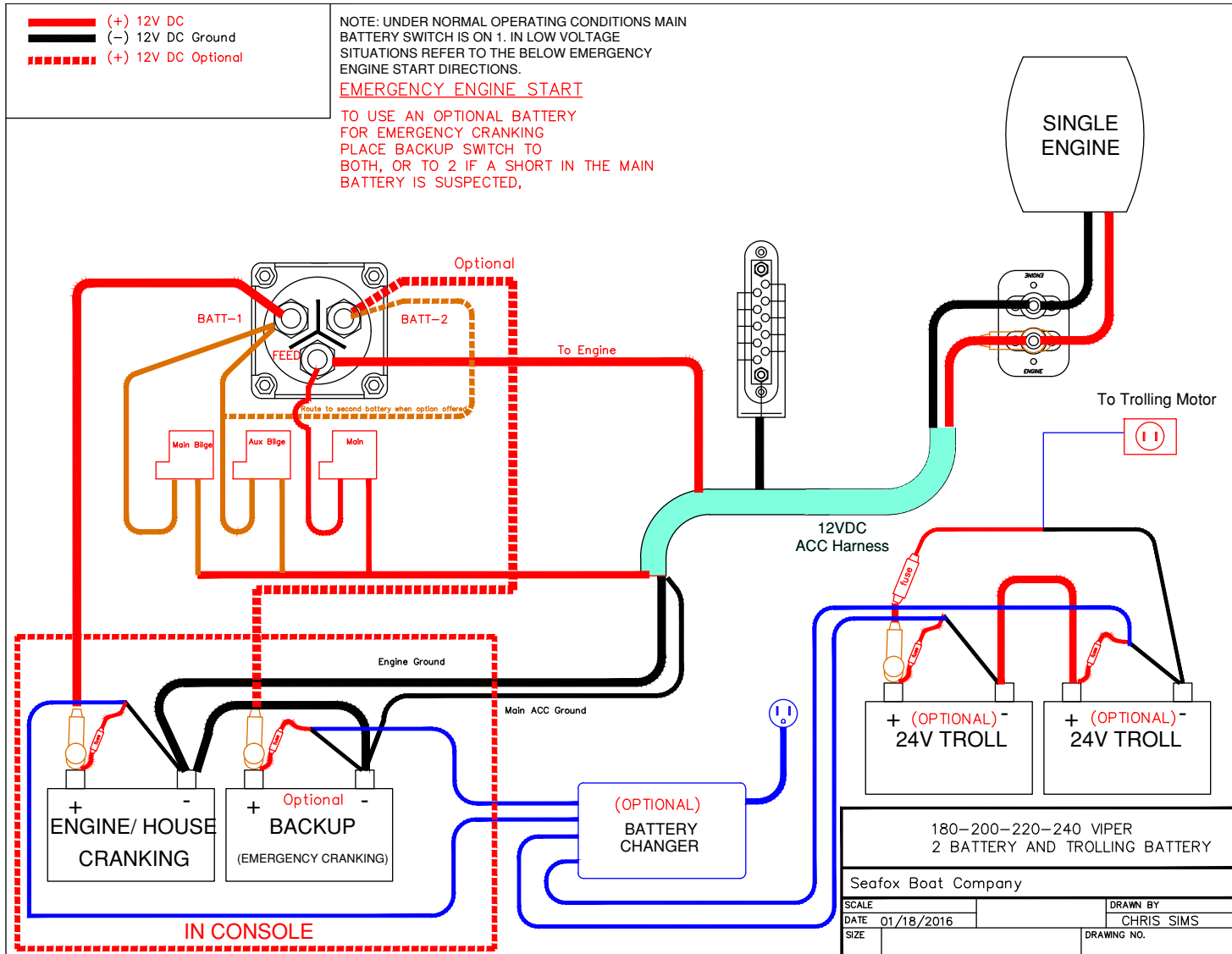


NOTES	
ZONE	DESCRIPTION

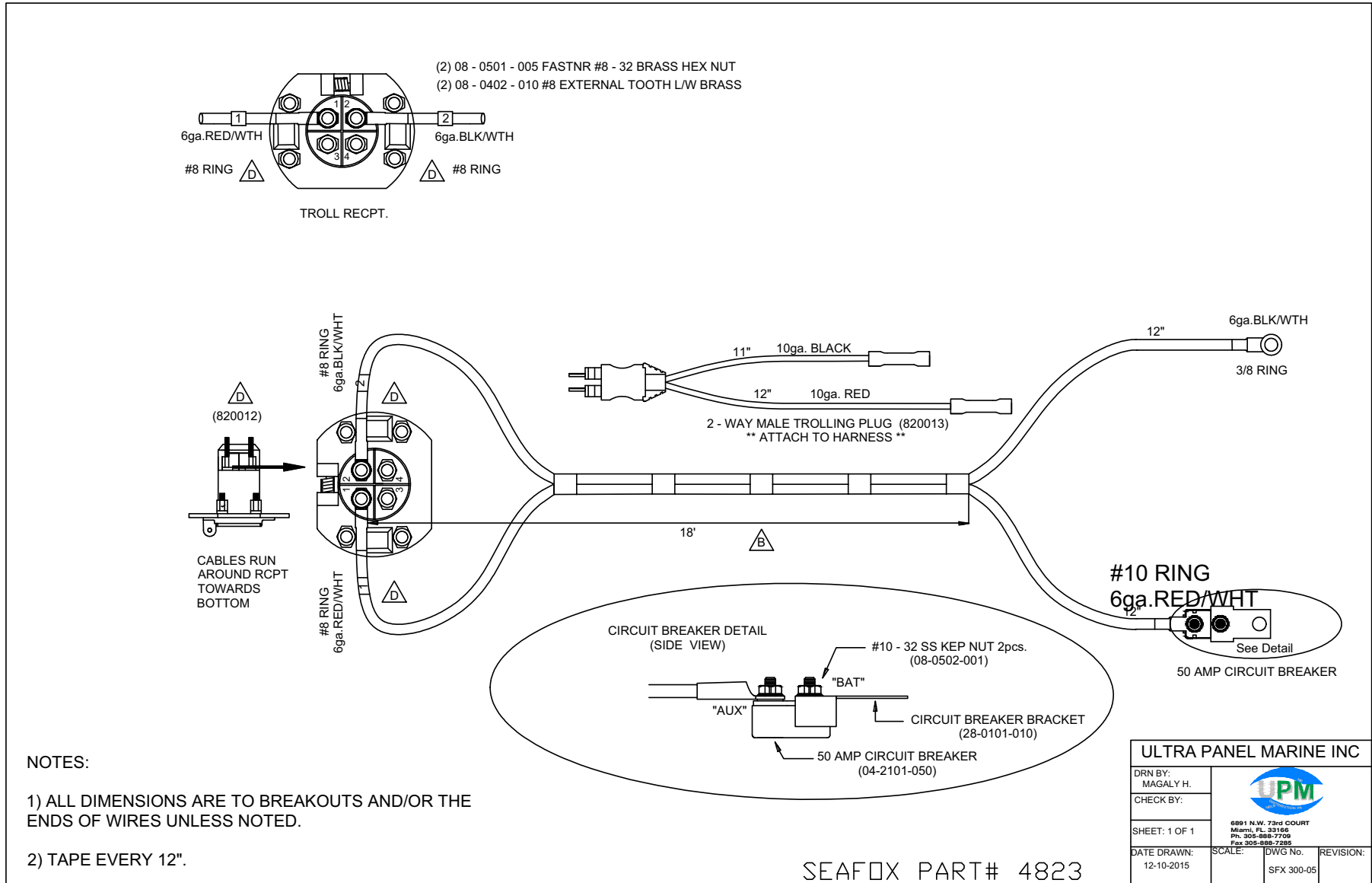
△	NEW THRU HULLS & BALL VALVES	03/01/17	PT
REV	DESCRIPTION	DATE	BY
REVISIONS			
2000 HWY 67 NORFOLK COUNTY, VA 23061 UNITED STATES OF AMERICA		PHONE: 804.791.8000 FAX: 804.791.8000	
THIS DRAWING IS THE PROPERTY OF SEAFOX. IT IS NOT TO BE REPRODUCED OR TRANSMITTED IN ANY FORM OR BY ANY MEANS, ELECTRONIC OR MECHANICAL, WITHOUT THE WRITTEN PERMISSION OF SEAFOX.			
<b>200 VIPER</b>			
<b>BILGE SYSTEM</b>			
DATE: 9/26/16			REV: A
DATE	DRAWN BY: NTS	SCALE: 1	SHEET: 1 OF 1

# ELECTRICAL SCHEMATICS

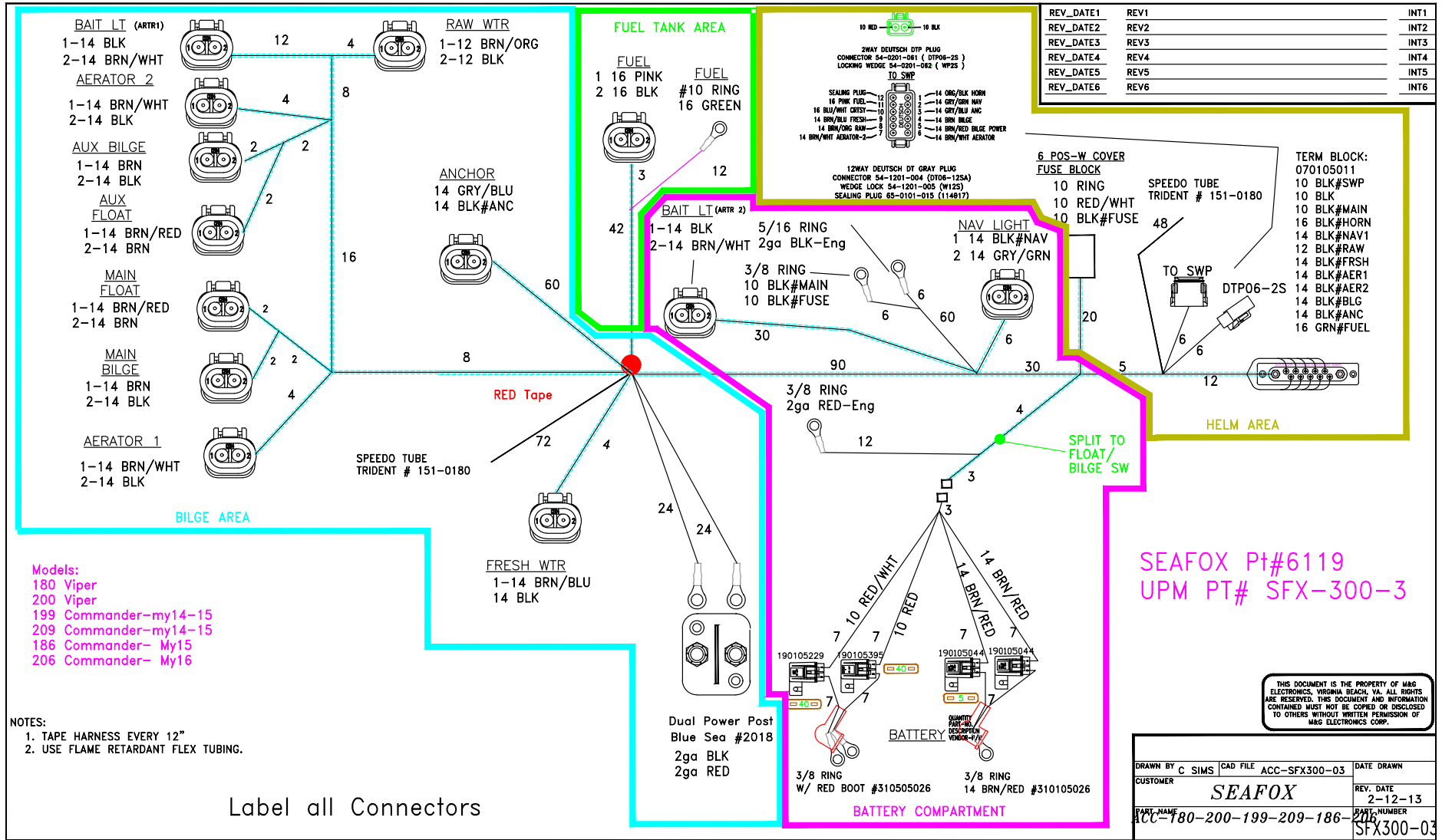
## TYPICAL 2-BATTERY SETUP IN CONSOLE



### HARNESS TROLLING MOTOR 180-240 (P/N 4823)



# HARNES MAIN 180-200-186-206 (P/N 6119)



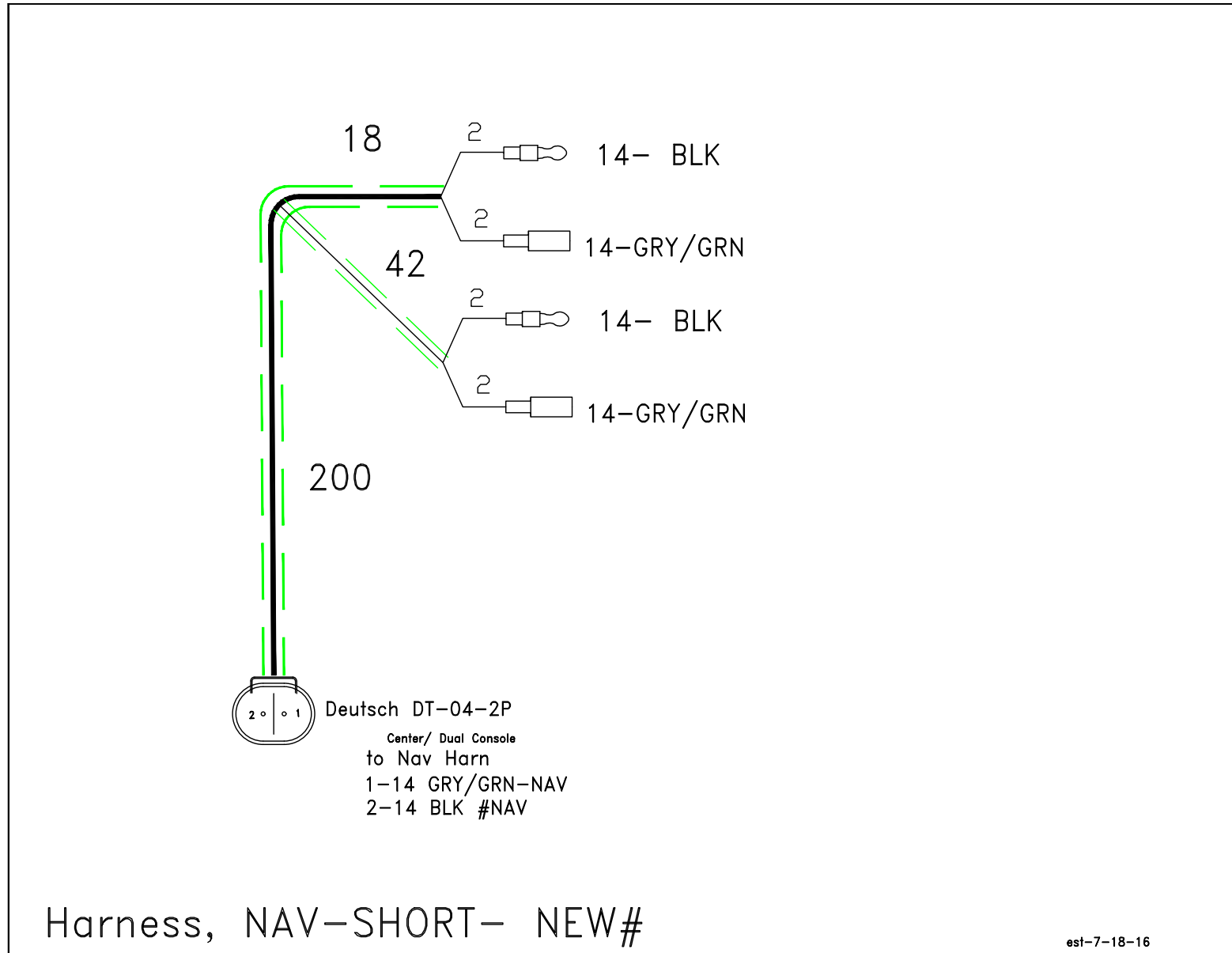
SEAFOX Pt#6119  
UPM PT# SFX-300-3

THIS DOCUMENT IS THE PROPERTY OF M&G ELECTRONICS, VIRGINIA BEACH, VA. ALL RIGHTS ARE RESERVED. THIS DOCUMENT AND INFORMATION CONTAINED MUST NOT BE COPIED OR DISCLOSED TO OTHERS WITHOUT WRITTEN PERMISSION OF M&G ELECTRONICS CORP.

DRAWN BY	C SIMS	CAD FILE	ACC-SFX300-03	DATE DRAWN	
CUSTOMER	SEAFOX			REV. DATE	2-12-13
PART NAME	ACC-180-200-199-209-186-206			PART NUMBER	SFX300-03



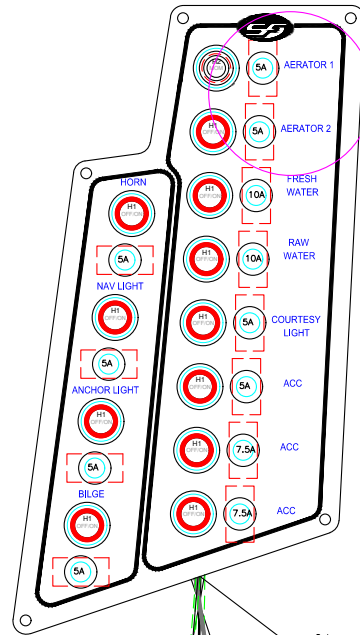
### HARNES NAV SHORT



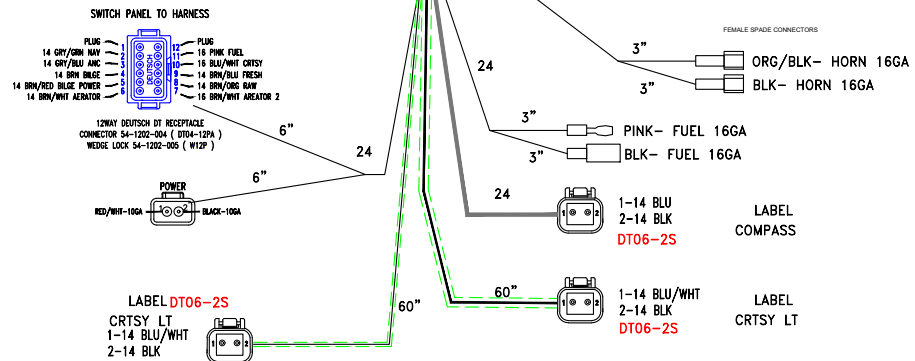
PANEL

non lighted logo and Nominclatures

MODEL YEAR: 2017



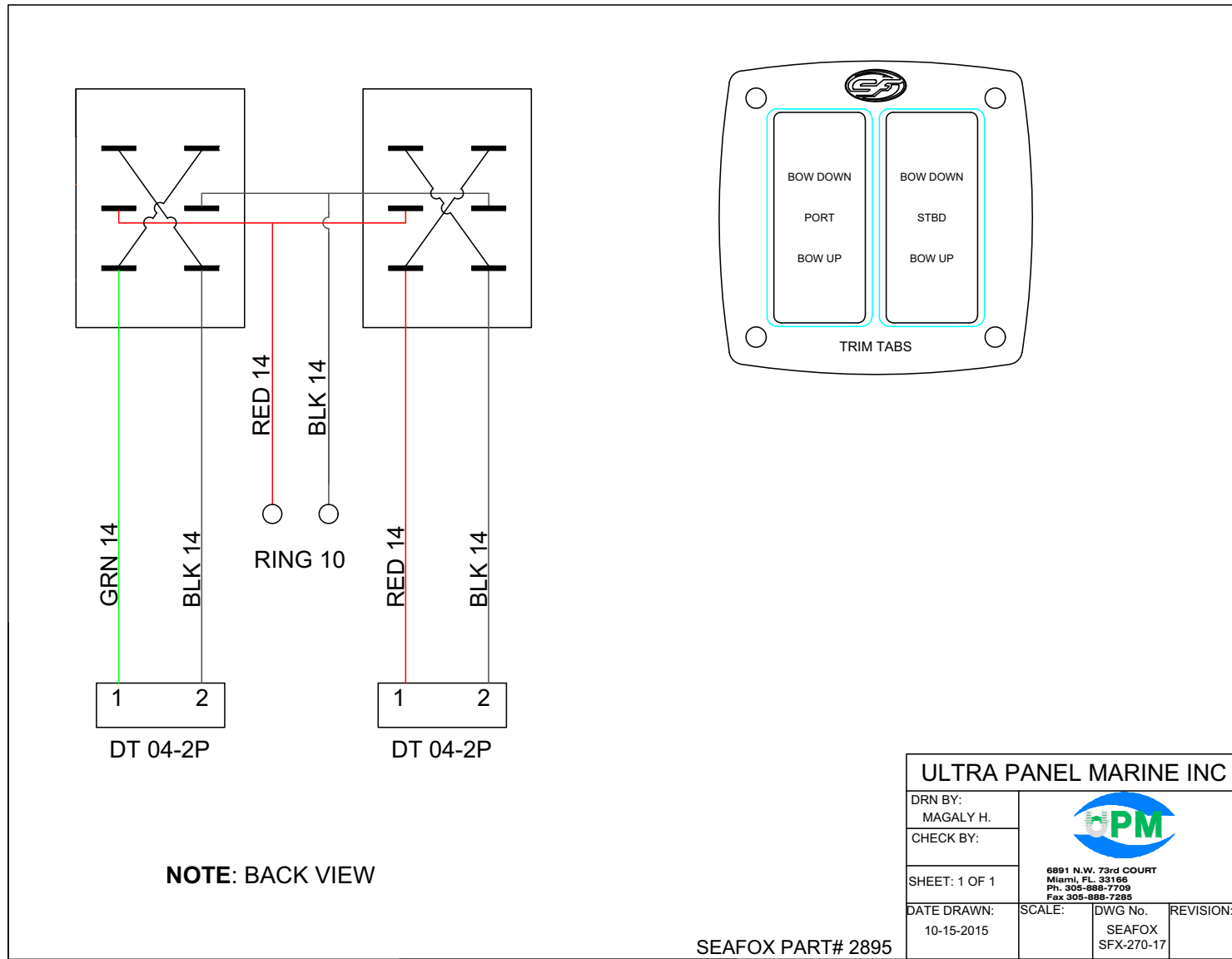
panel not lighted



PANEL  
200 viper

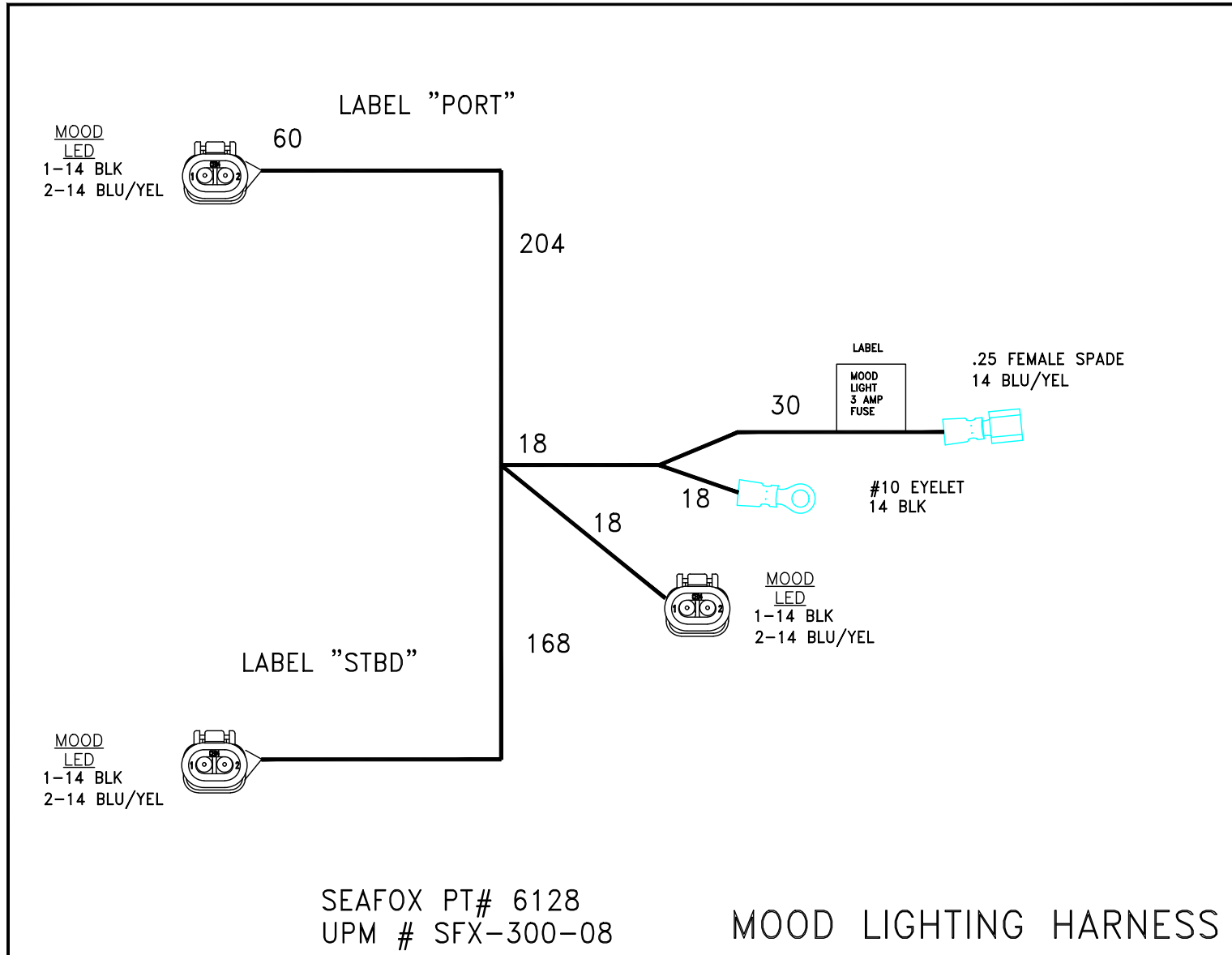
SFX-new# (SEAFOX PT# new#)

**TRIMTABS ELECTRICAL SWITCH STANDARD (P/N 2895) – OPTIONAL**



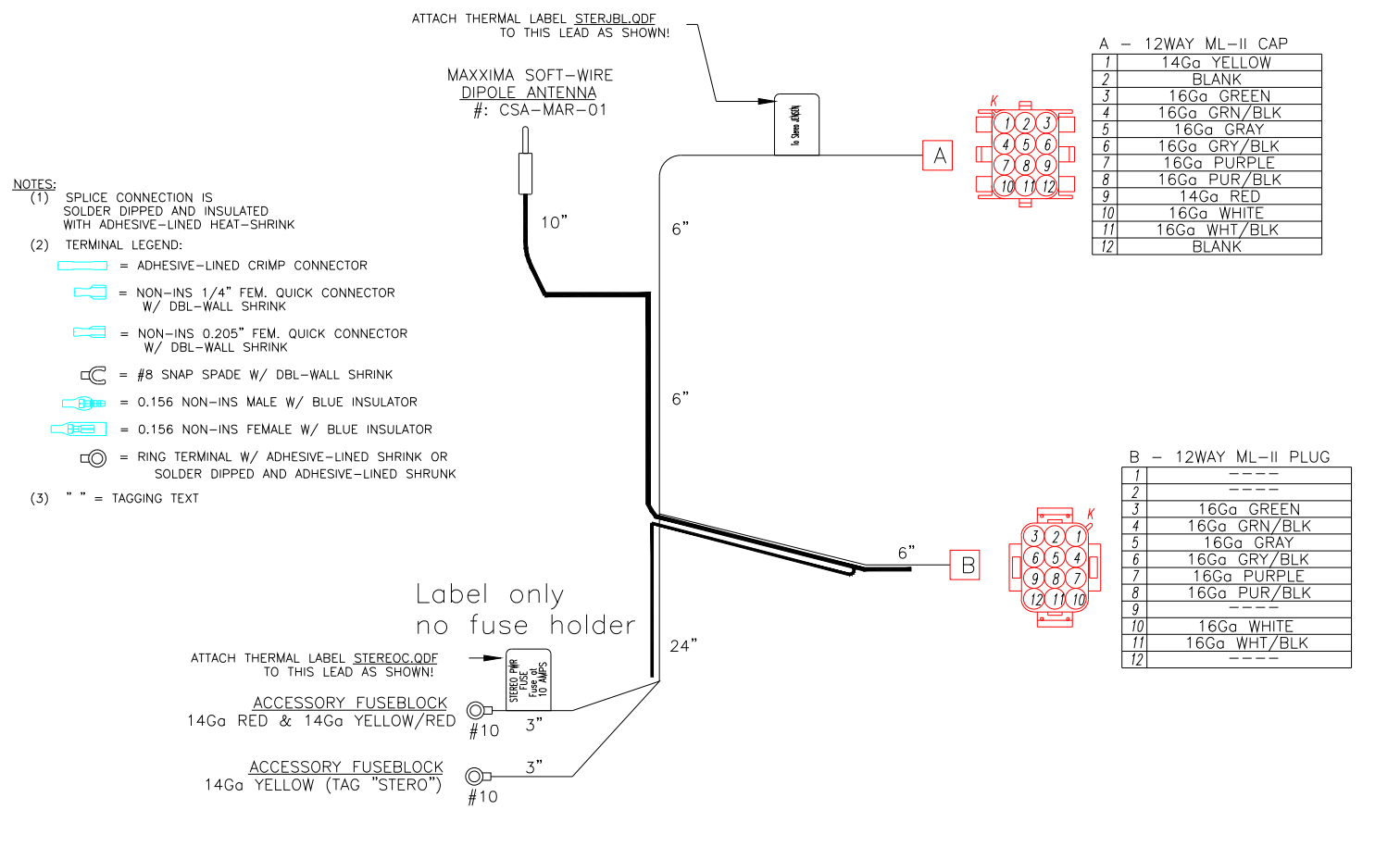


HARNES MOOD LIGHT W/DEUTSCH (P/N 6128) – OPTIONAL



# HARNES STEREO INFINITY CON (P/N 6129) – OPTIONAL

CUSTOMER SEAFOX BOAT CO. W/O # \_\_\_\_\_  
 PART # 6129 UPM# SFX-300-09 DUE DATE \_\_\_\_\_  
 FILENAME \_\_\_\_\_ MODEL ALL MODELS  
 DESCRIPTION HARNES STEREO INFINITY/JENSEN





## HARNES STEREO INFINITY DECK (P/N 6130) – OPTIONAL

CUSTOMER SEAFOX BOAT CO.

PART # 6130 UPM# SFX-300-04

FILENAME \_\_\_\_\_


W/O # \_\_\_\_\_

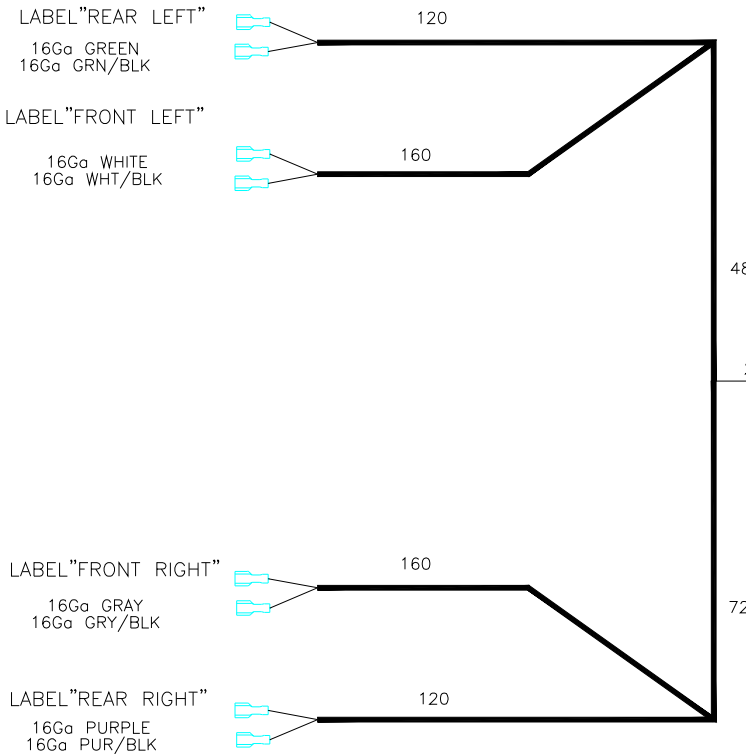
DUE DATE \_\_\_\_\_

MODEL ALL MODELS

DESCRIPTION HARNES DECK INFINTY STEREO

**NOTES:**

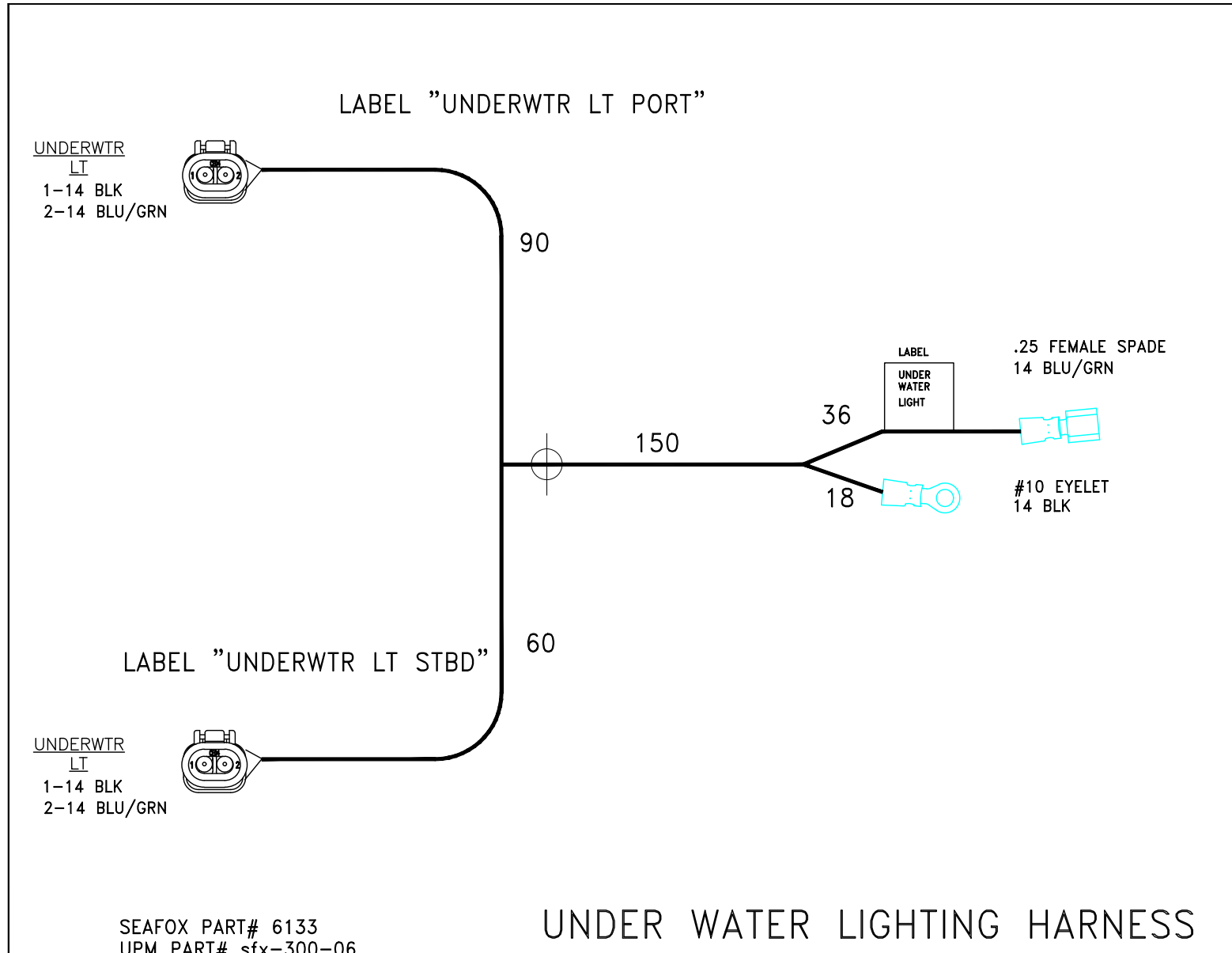
 = NON-INS 1/4" FEM. QUICK CONNECTOR  
W/ DBL-WALL SHRINK



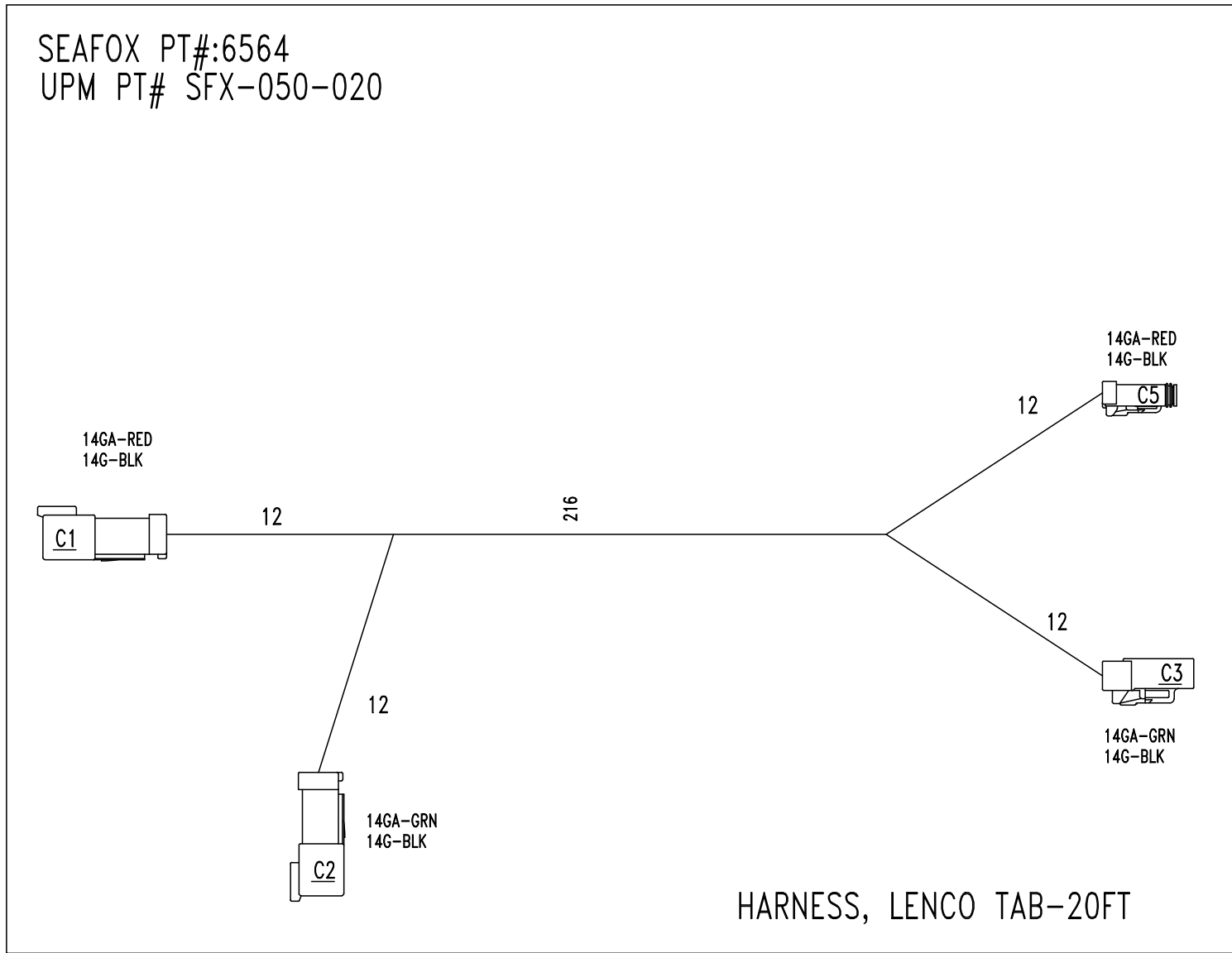
B - 12WAY ML-II PLUG

1	----
2	----
3	16Ga GREEN
4	16Ga GRN/BLK
5	16Ga GRAY
6	16Ga GRY/BLK
7	16Ga PURPLE
8	16Ga PUR/BLK
9	----
10	16Ga WHITE
11	16Ga WHT/BLK
12	----

**HARNES UNDERWATER LIGHT W/DEUTSCH (P/N 6133) – OPTIONAL**



HARNESS TRIMTAB ELECTRIC 20 FT Lenco (P/N 6564) – OPTIONAL





This Page Intentionally Left Blank



This Page Intentionally Left Blank

This Page Intentionally Left Blank



This Page Intentionally Left Blank

This Page Intentionally Left Blank



This Page Intentionally Left Blank





**Sea Fox Boat Company, Inc.**  
2550 Highway 52  
Moncks Corner, SC 29461-5024

Telephone: 843-761-6090  
[www.seafoxboats.com](http://www.seafoxboats.com)

Ken Cook Co.  
Printed in U.S.A.  
Rev 0719