

Owner's Manual Supplement

www.SeaFoxBoats.com

SEA FOX BOAT'S DISCLAIMER

The following Owner's Manual is provided for information and educational purposes only and is not intended to offer or provide legal advice or create a contractual relationship between Sea Fox Boat Company and the owner of any Sea Fox brand vessel. Please beware that as a vessel owner you have non-delegable responsibilities regarding the safety, maintenance, fitness, and operation of your vessel and the extent of such responsibilities is ultimately determined by Federal law and regulations, the general maritime law of the United States, the laws and regulations of the states and territories of the United States, or the laws and regulations of the country where you operate your vessel. To fully understand your responsibilities as a vessel owner, and before operating or letting any third-party operate your vessel, we recommend that you consult the services of a qualified lawyer in admiralty and maritime law.

TABLE OF CONTENTS

Introduction	3	Typical 2-Battery Setup in Console	12
Specifications	3	Harness Trolling Motor 180-240 (P/N 4823)	13
Designated Occupant Seating	4	Panel Switch Deutsch (P/N 6114)	14
Plumbing Schematics	5	Harness Main 180-200-186-206 (P/N 6119)	15
Viper Bilge System	5	Harness Nav Short	16
Viper Fresh Water System	6	Trimtabs Electrical Switch Standard (P/N 2895) – Optional	17
Viper Fuel System	7	Harness Mood Light w/Deutsch (P/N 6128) – Optional	18
Viper Forward Seat Livewell System	8	Harness Stereo Infinity Con (P/N 6129) – Optional	19
Viper Stern Livewell System	9	Harness Stereo Infinity Deck (P/N 6130) – Optional	20
Viper Raw Water System	10	Harness Underwater Light w/Deutsch (P/N 6133) – Optional	21
Viper Drains	11	Harness Trimtab Electric 20 ft Lenco (P/N 6564) – Optional	22
Electrical Schematics	12		



This Page Intentionally Left Blank

INTRODUCTION

Congratulations and Welcome Aboard! With so many boat brands to choose from, we want to congratulate you on your decision to choose Sea Fox Boats. For more than 24 years, Sea Fox offers the finest hand-crafted saltwater boats carefully balanced with the build-quality, features, styling and performance for the fairest price. Our passion for boating is evident in every model we make and we appreciate that you've noticed the Sea Fox difference.

We share your love for the moments spent on the water with friends and family, which is why every Sea Fox boat offers a unique blend of fishing/family options, technologies and innovative features. Your choice of a Sea Fox affirms that you have performed your research and compared the value of your model with the competition.

Whether you are new to the boating lifestyle or an old salt, we ask that **you and all other operators** read the owner's manual, this supplement, and all other literature provided with the boat **before** operating the boat or any equipment. We also recommend that all operators enroll in a boating safety course available online - see References and Contact Information in this section for education resources online.

This supplement contains model-specific information not included with the owner's manual. This manual is not intended to be a replacement for specific product literature provided by engine, accessory or other major equipment manufacturers, but rather to supplement that information.

Because of our philosophy of continuous product improvement, this manual serves as a general guide only, so the specifications and illustrations used may not match the equipment on your boat and are intended only as general reference views.

We welcome you to the Sea Fox family and wish you many years of boating enjoyment!

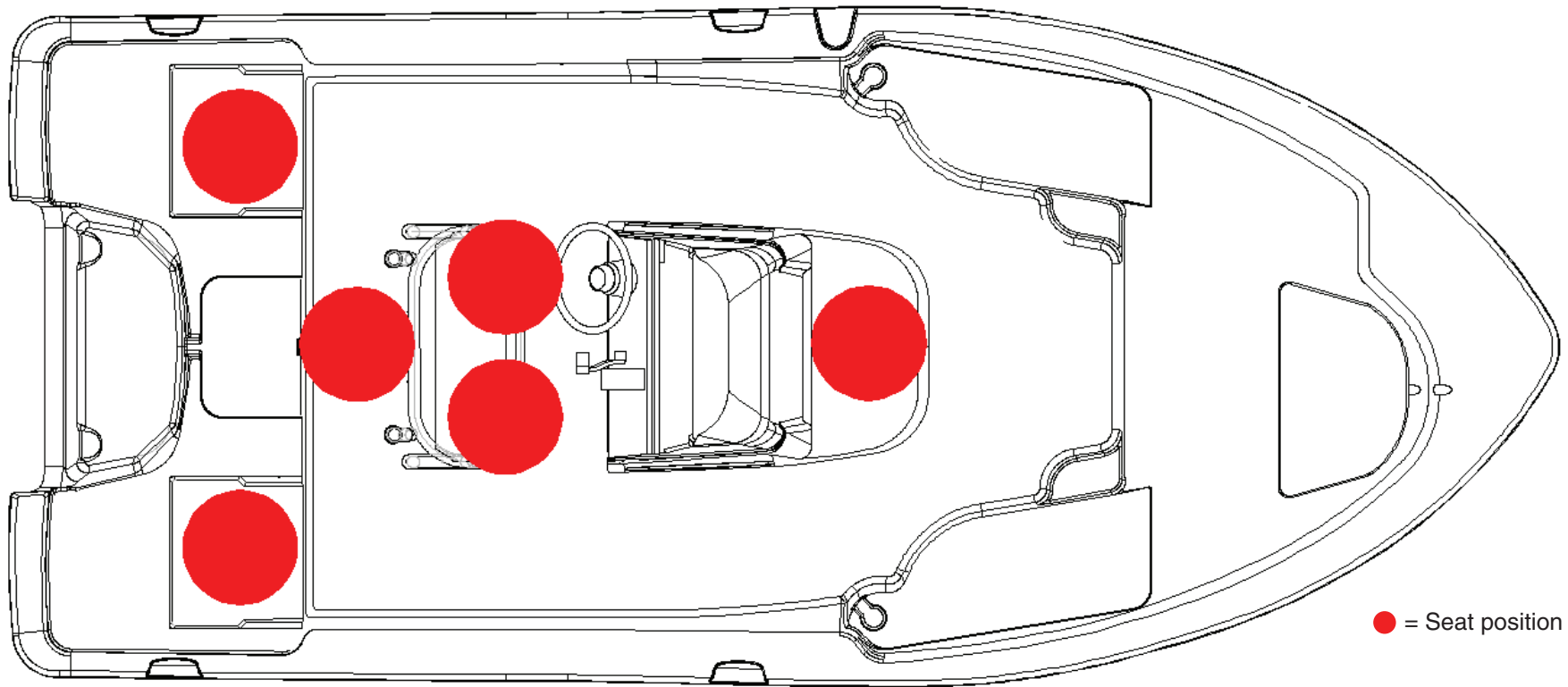
SPECIFICATIONS

Max. Weight Capacity	1500 lbs (680 kg)
Persons	6
Persons Weight	900 lbs (408 kg)
Max. HP	115 hp (86 kw)
L.O. A.	18' 1" (5.5 m)
Beam	8' (2.44 m)
Draft	13 in. (0.33 m)
Height, Keel to Top (Light Folded)	103 in. (2.62 m)
Bridge Clearance Hard Top	90 in. (2.29 m)
Max. Weight Boat (w/ Fluids, Largest HP)	2805 lbs (1272 kg)
Fuel Tank Capacity	40 gal (151 L)
Freshwater Tank Capacity	6 gal (23 L)
Holding Tank Capacity	N/A



DESIGNATED OCCUPANT SEATING

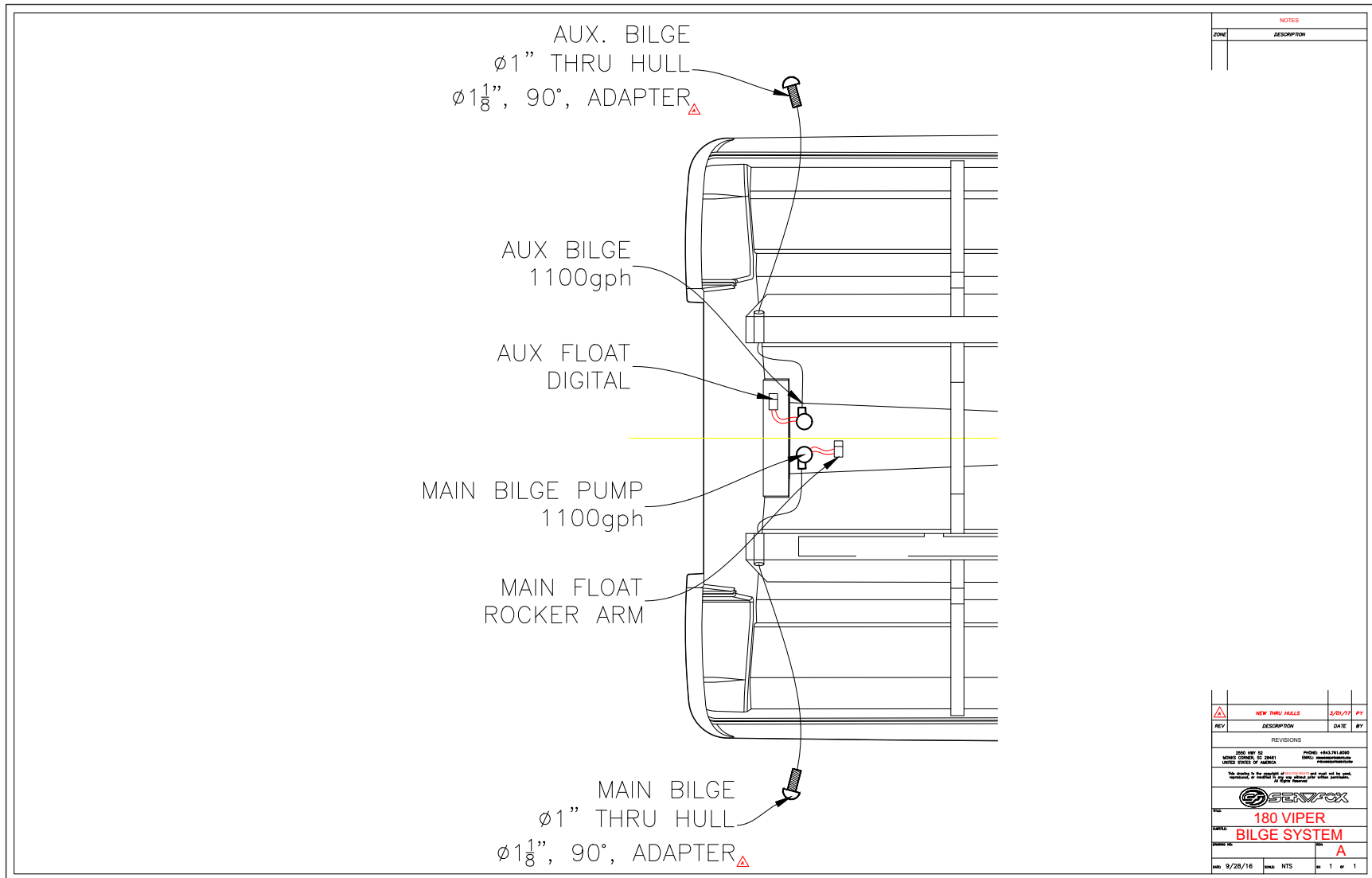
Be sure all passengers are properly seated in designated seating positions and not riding on the bow, bow pulpit, deck, gunwale or rear sun deck while underway. Passengers must use hand-holds and use caution when riding in the bow. Move to the aft passenger seats during rough water operation or if visibility is restricted.



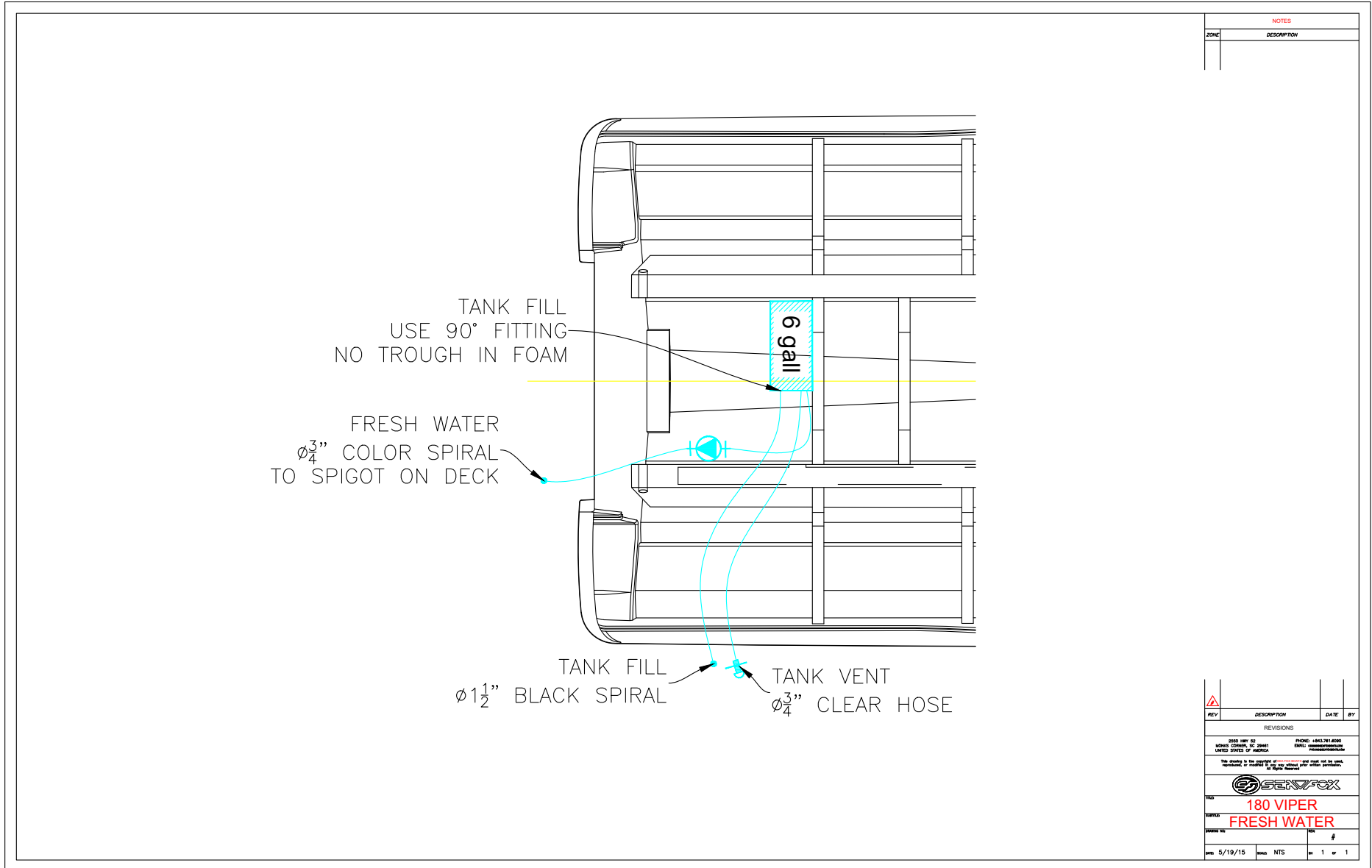
SFOX-0012

PLUMBING SCHEMATICS

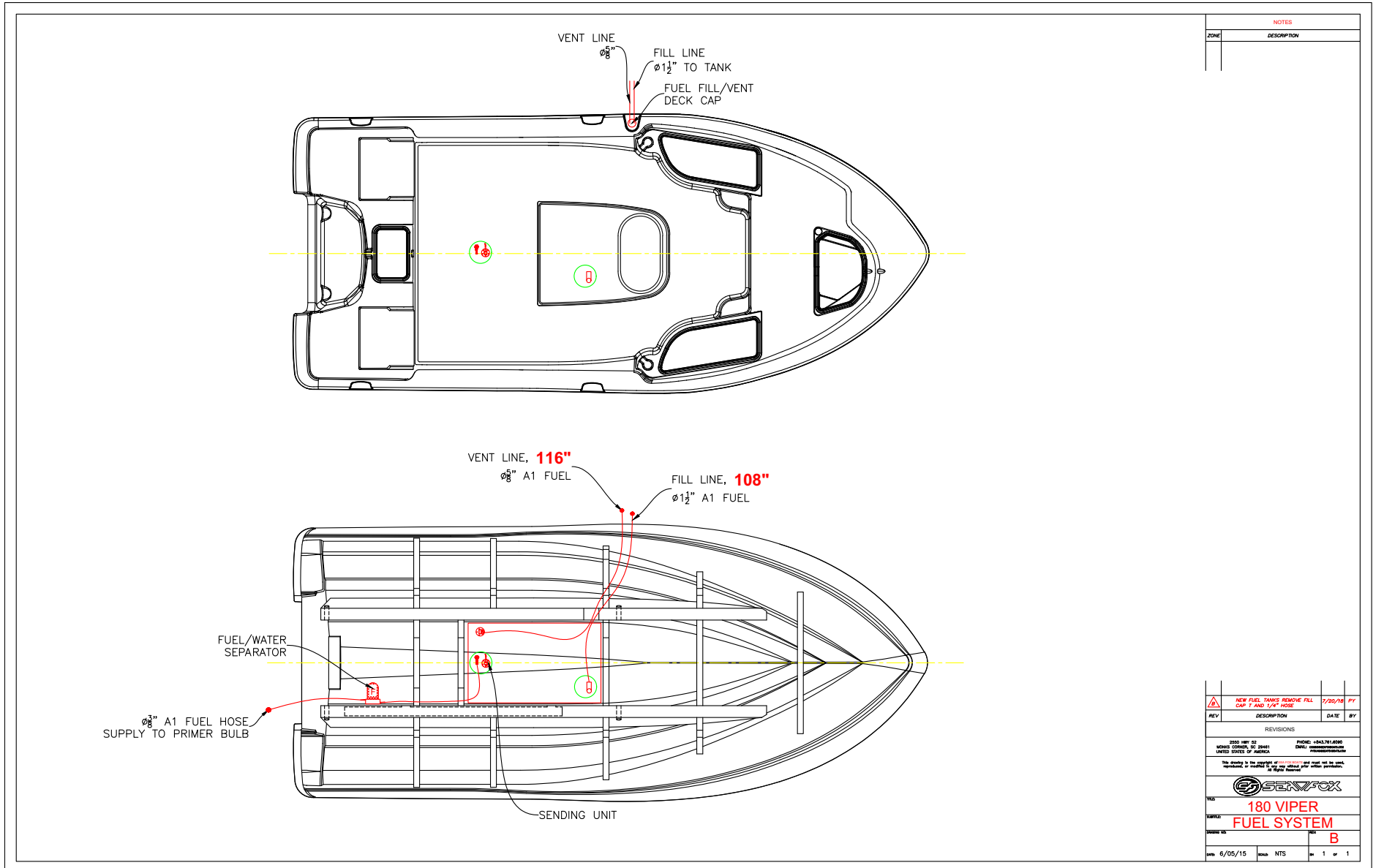
VIPER BILGE SYSTEM



VIPER FRESH WATER SYSTEM



VIPER FUEL SYSTEM



NOTES	
ZONE	DESCRIPTION

REV	DESCRIPTION	DATE	BY

REVISIONS

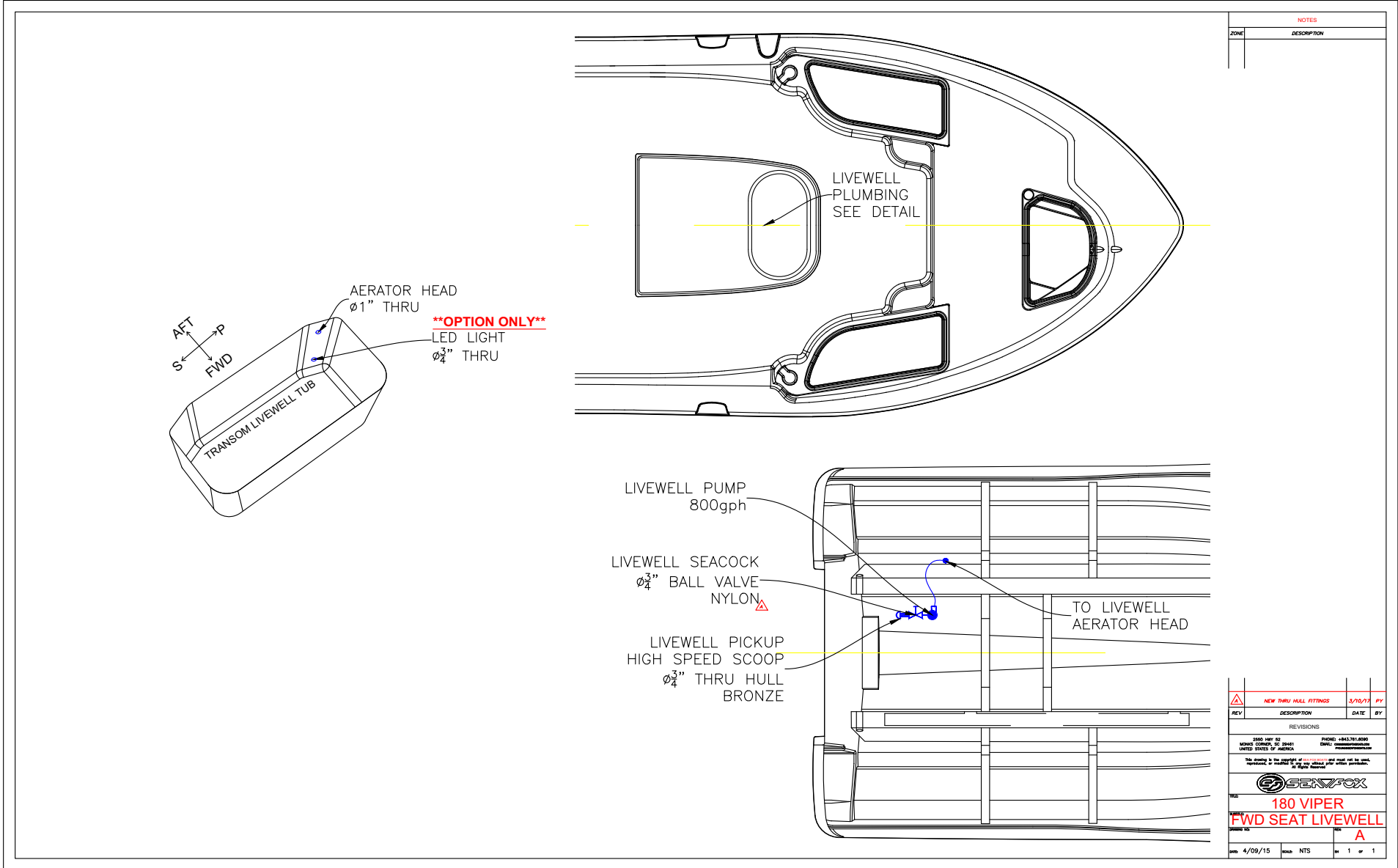
THIS COPY IS THE PROPERTY OF SEAFOX BOATS, INC. IT IS TO BE KEPT IN THE ORIGINAL FORM AND NOT TO BE REPRODUCED OR TRANSMITTED IN ANY FORM OR BY ANY MEANS, ELECTRONIC OR MECHANICAL, INCLUDING PHOTOCOPYING, RECORDING, OR BY ANY INFORMATION STORAGE AND RETRIEVAL SYSTEM.

180 VIPER FUEL SYSTEM

SHEET NO. **B**

DATE 6/05/15 DRAWN BY NTS PAGE 1 OF 1

VIPER FORWARD SEAT LIVEWELL SYSTEM



NOTES	
ZONE	DESCRIPTION

REV	DESCRIPTION	DATE	BY

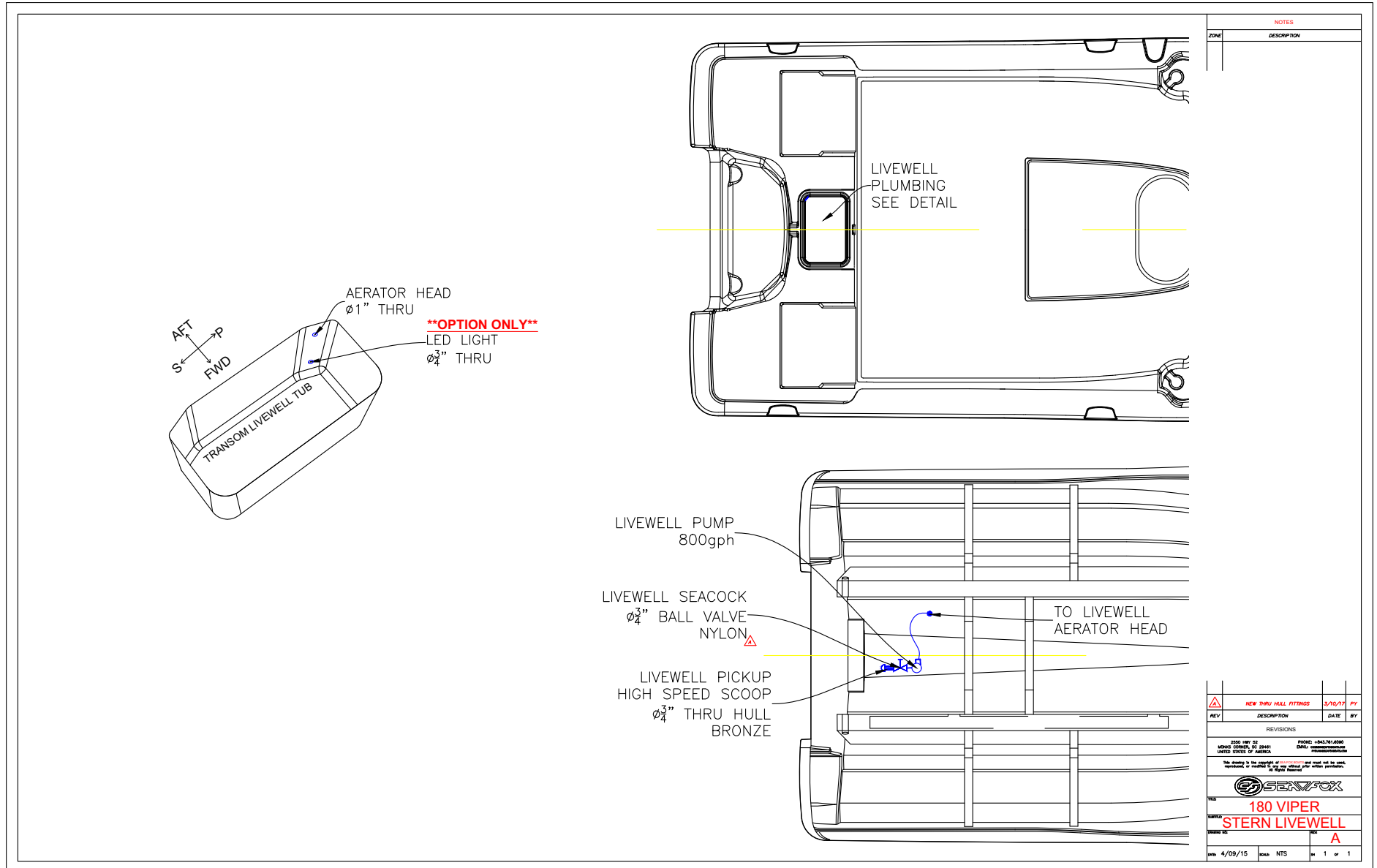
REVISIONS

2000 HWY 82 SEAFOX CORP., SC 29401 UNITED STATES OF AMERICA	PHONE: +1843.761.0000 EMAIL: info@seafoxboats.com www.seafoxboats.com
-------------------------------------------------------------------	-----------------------------------------------------------------------------

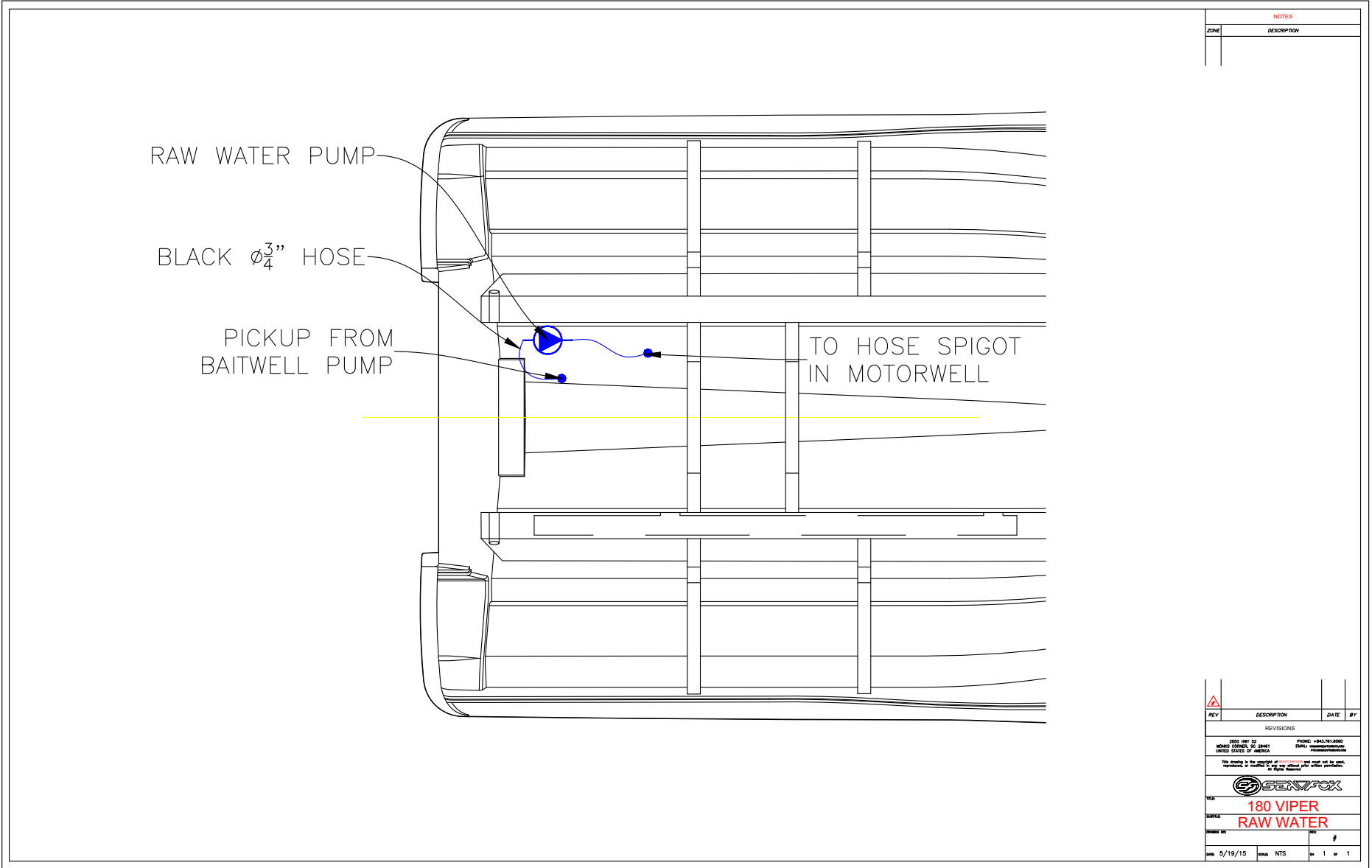
**180 VIPER
FWD SEAT LIVEWELL**

DATE: 4/09/15 SCALE: NTS SHEET: 1 of 1

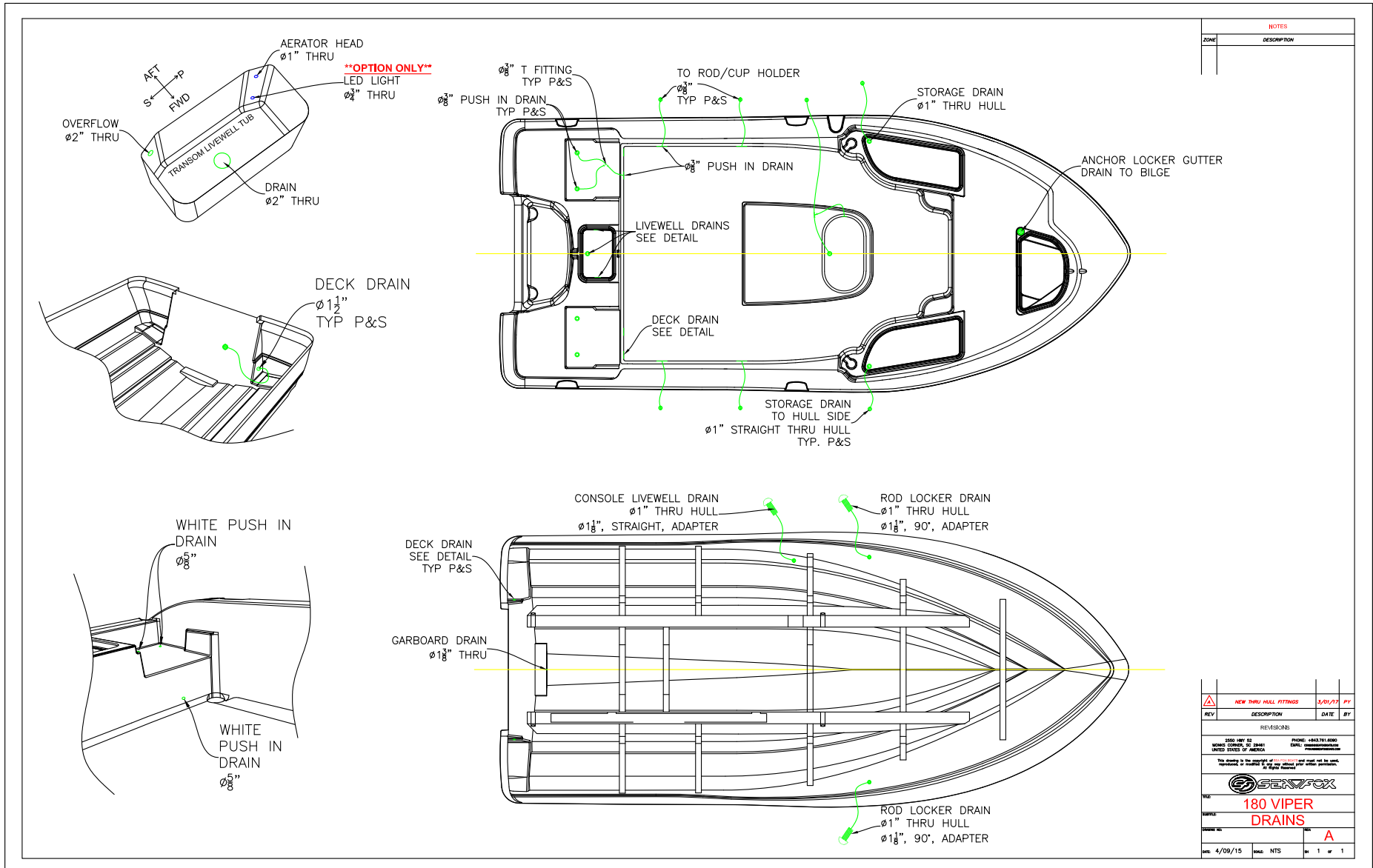
VIPER STERN LIVEWELL SYSTEM



VIPER RAW WATER SYSTEM

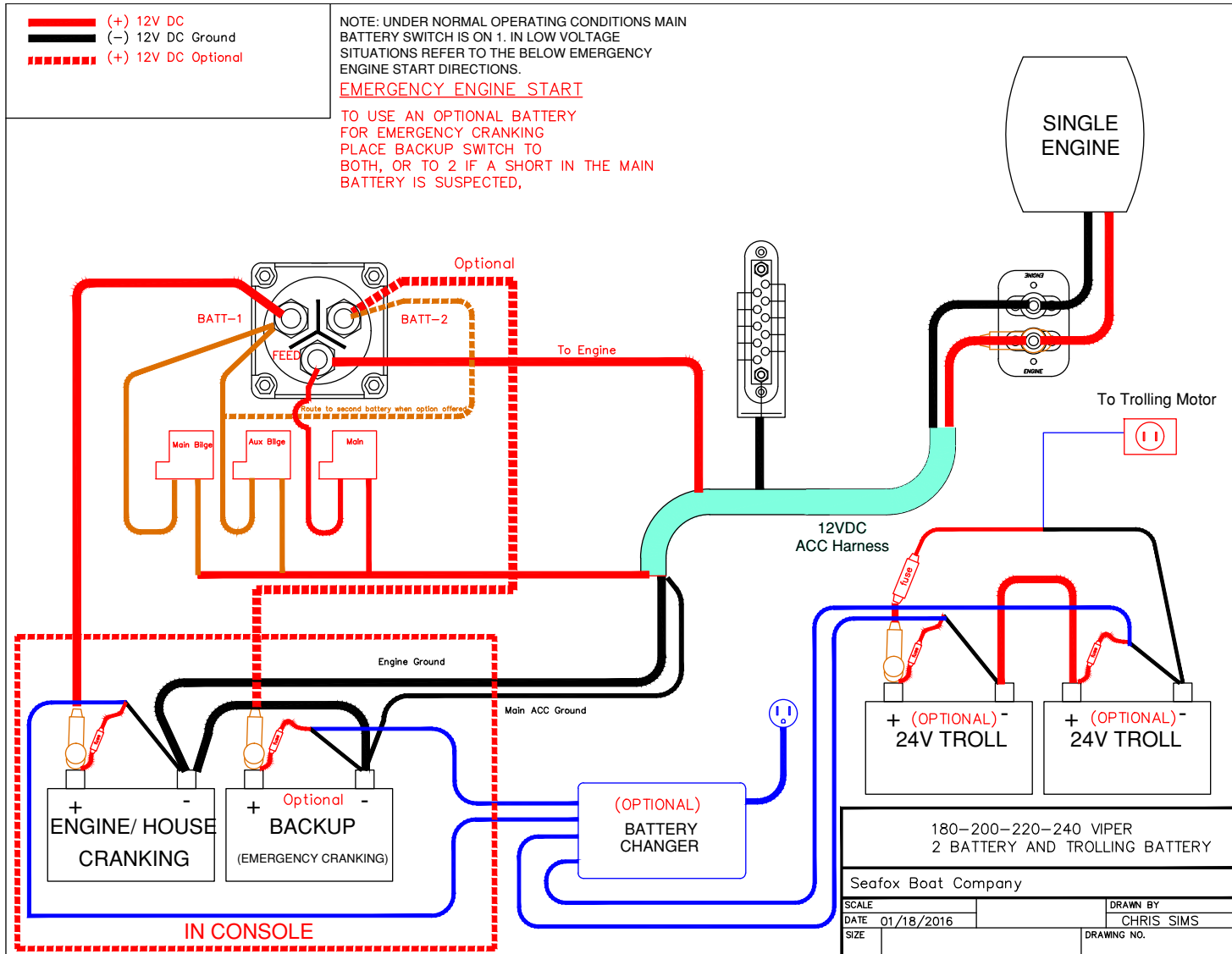


VIPER DRAINS

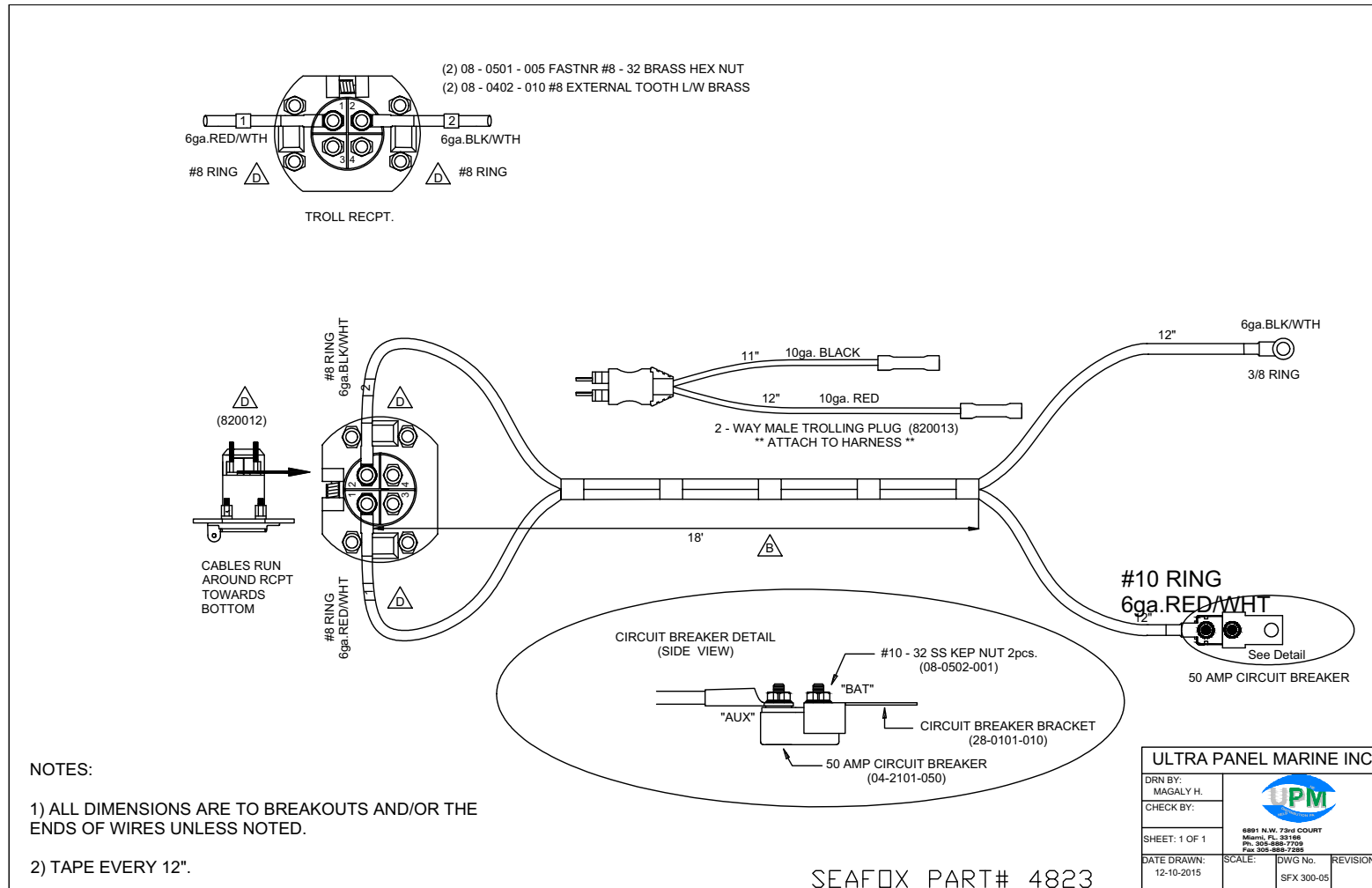


ELECTRICAL SCHEMATICS

TYPICAL 2-BATTERY SETUP IN CONSOLE

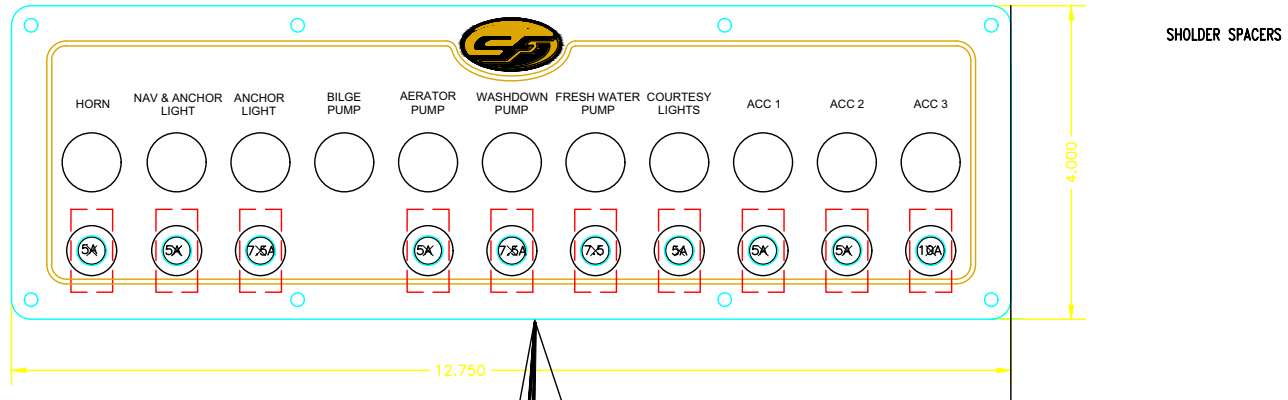


HARNES TROLLING MOTOR 180-240 (P/N 4823)

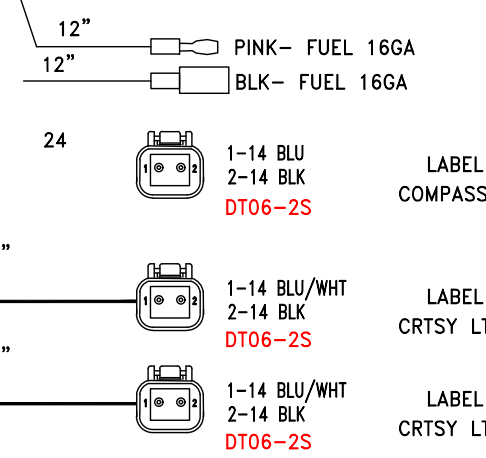
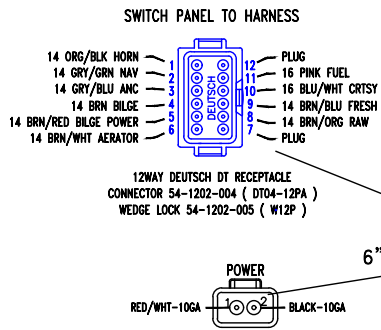


PANEL SWITCH DEUTSCH (P/N 6114)

Start Use MY2016



SHOLDER SPACERS

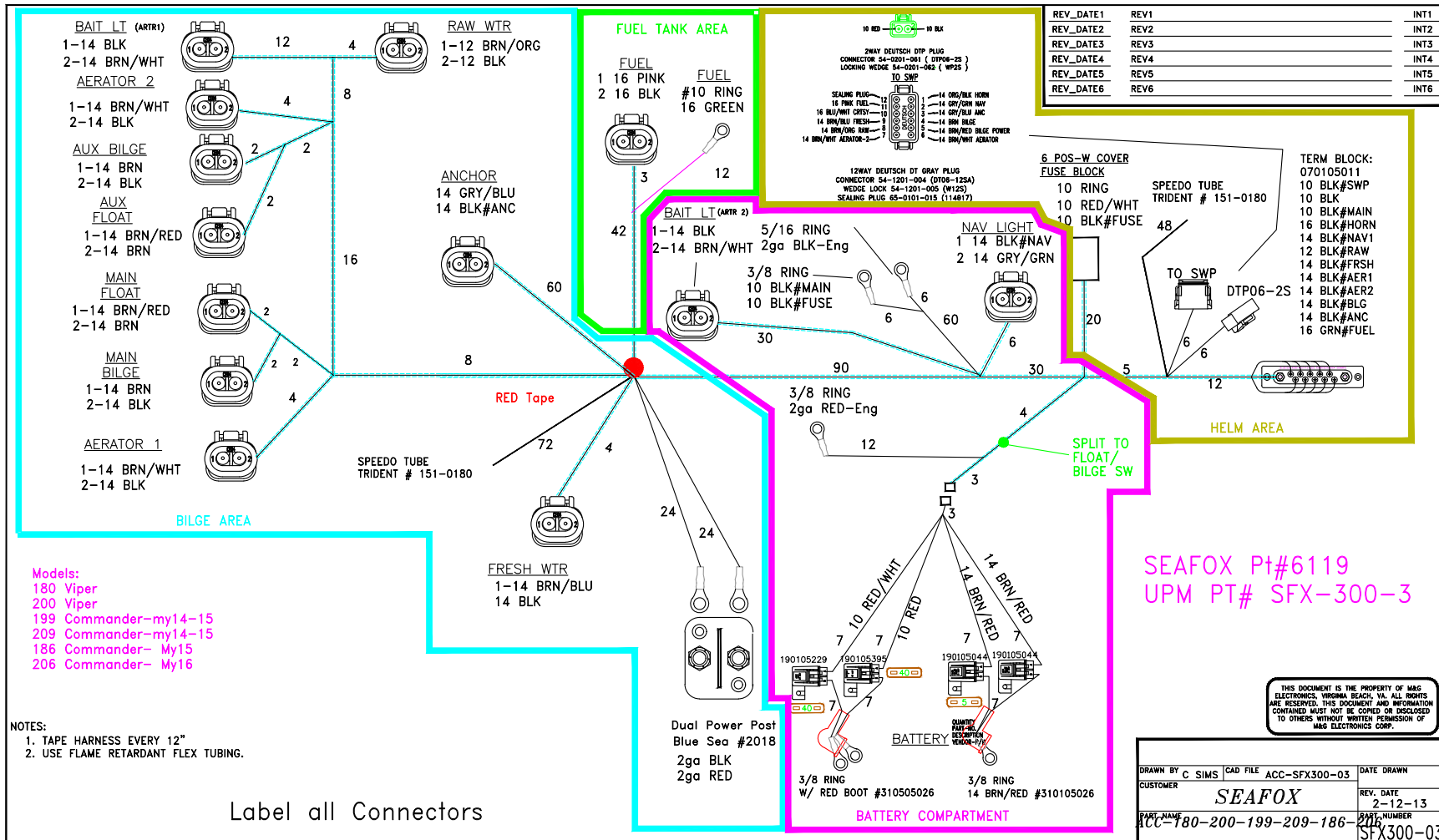


PANEL
186-206-249

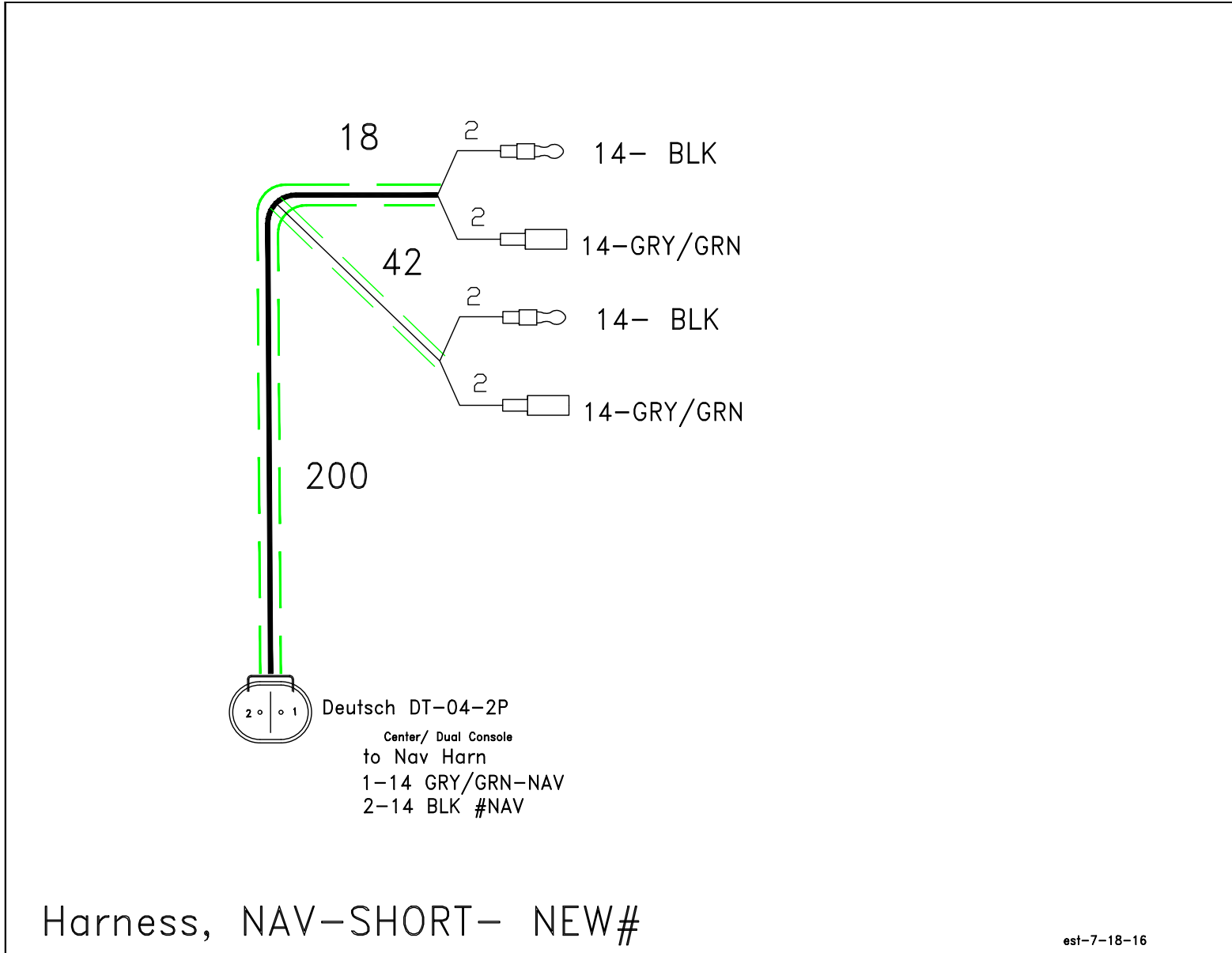
ACC1- MOOD LIGHT
ACC2- UNDERWATER LT
ACC3- SPREADER LIGHT

SFX-249-80 (SEAFOX PT# 6114)

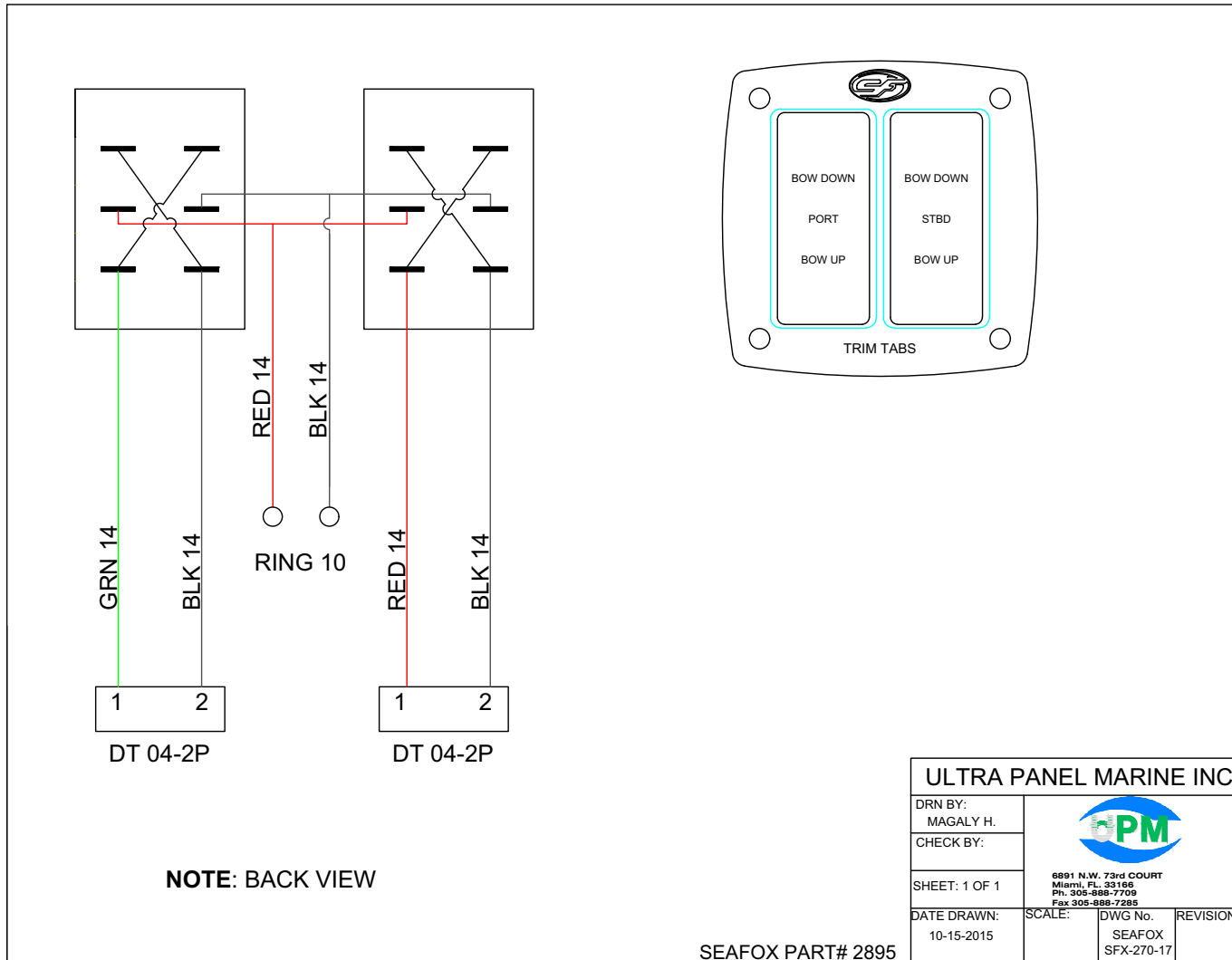
HARNES MAIN 180-200-186-206 (P/N 6119)



HARNES NAV SHORT

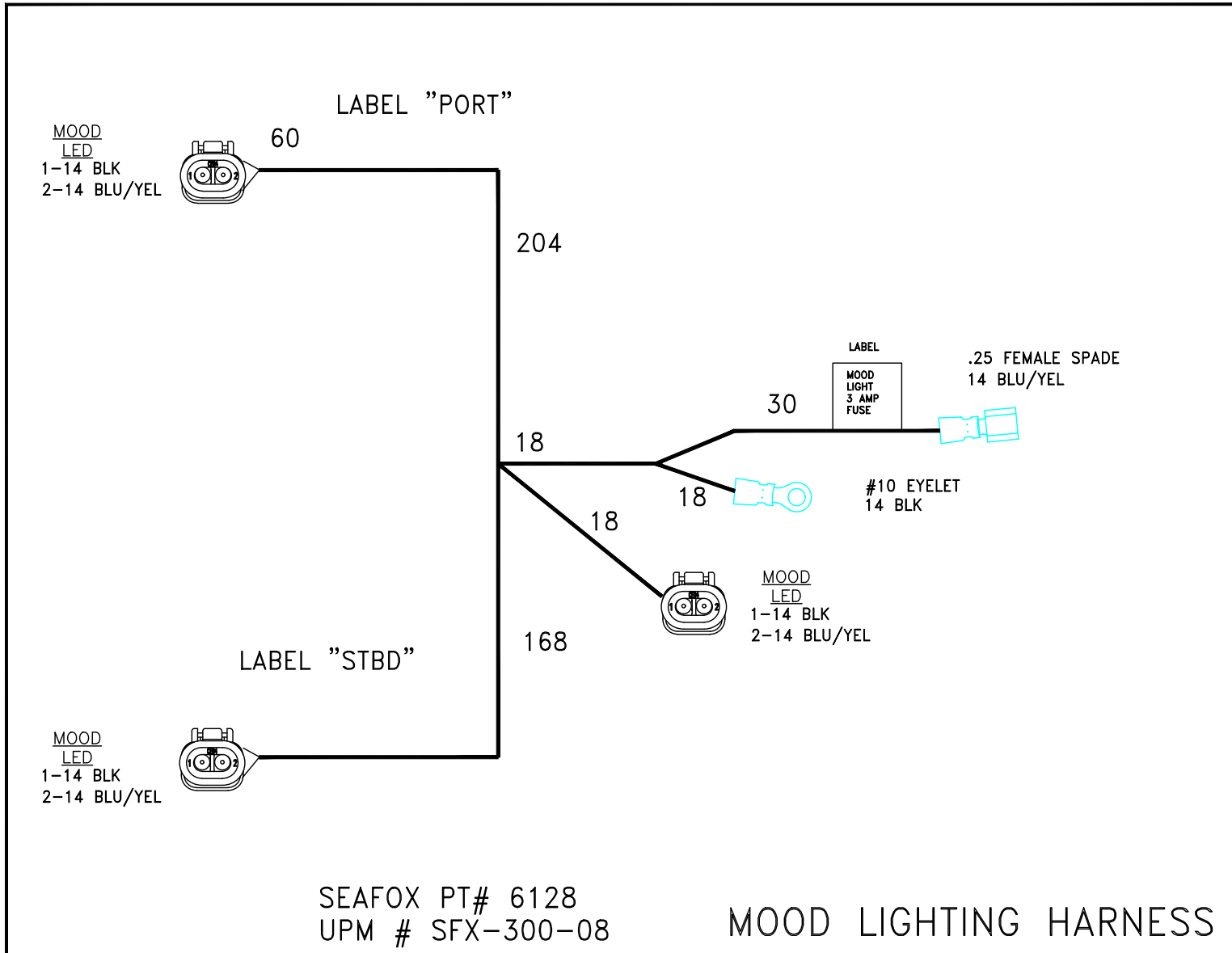


TRIMTABS ELECTRICAL SWITCH STANDARD (P/N 2895) – OPTIONAL



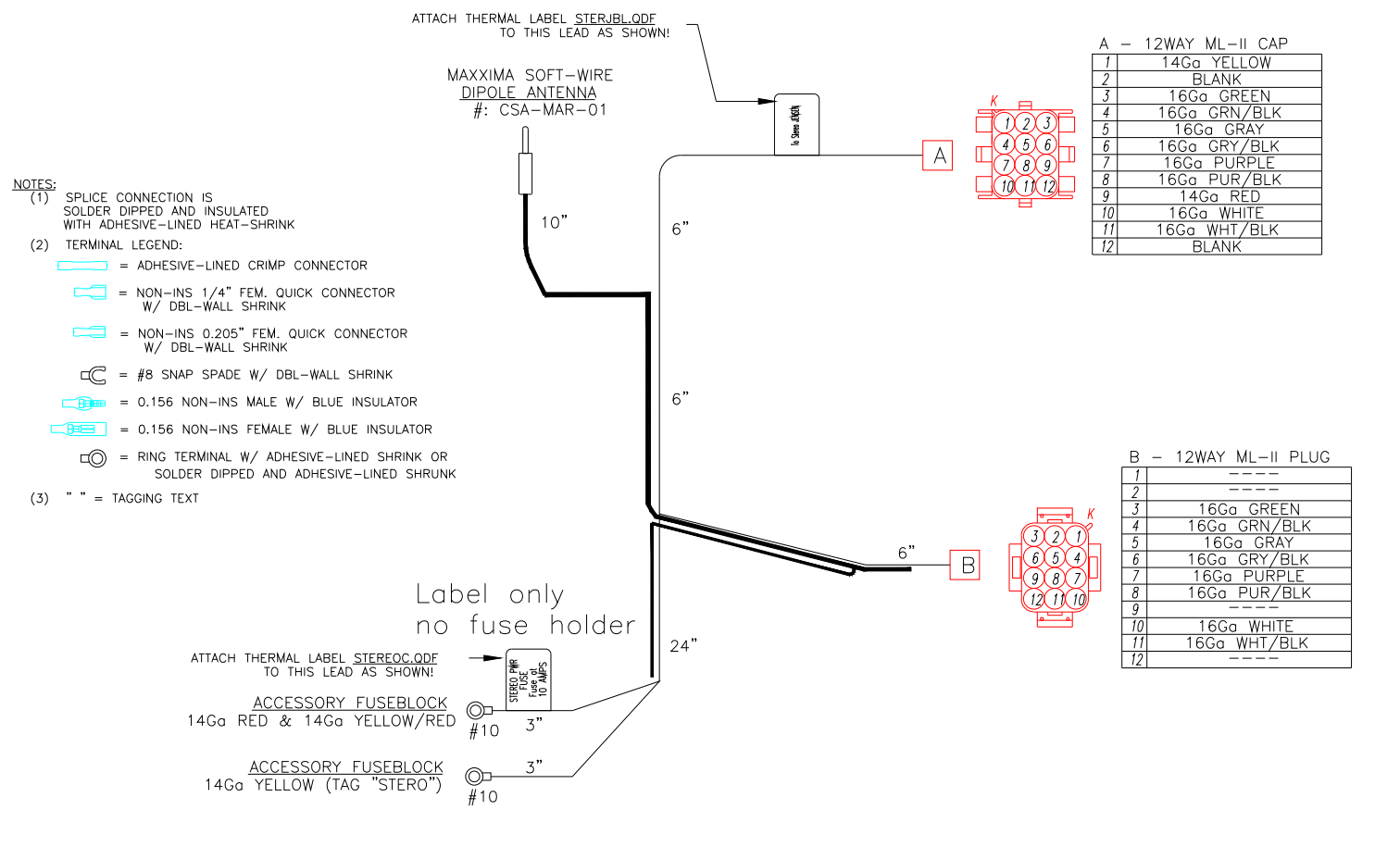


HARNESS MOOD LIGHT W/DEUTSCH (P/N 6128) – OPTIONAL



HARNES STEREO INFINITY CON (P/N 6129) – OPTIONAL

CUSTOMER SEAFOX BOAT CO. W/O # _____
 PART # 6129 UPM# SFX-300-09 DUE DATE _____
 FILENAME _____ MODEL ALL MODELS
 DESCRIPTION HARNES STEREO INFINITY/JENSEN





HARNES STEREO INFINITY DECK (P/N 6130) – OPTIONAL

CUSTOMER SEAFOX BOAT CO.

PART # 6130 UPM# SFX-300-04

FILENAME _____


W/O # _____

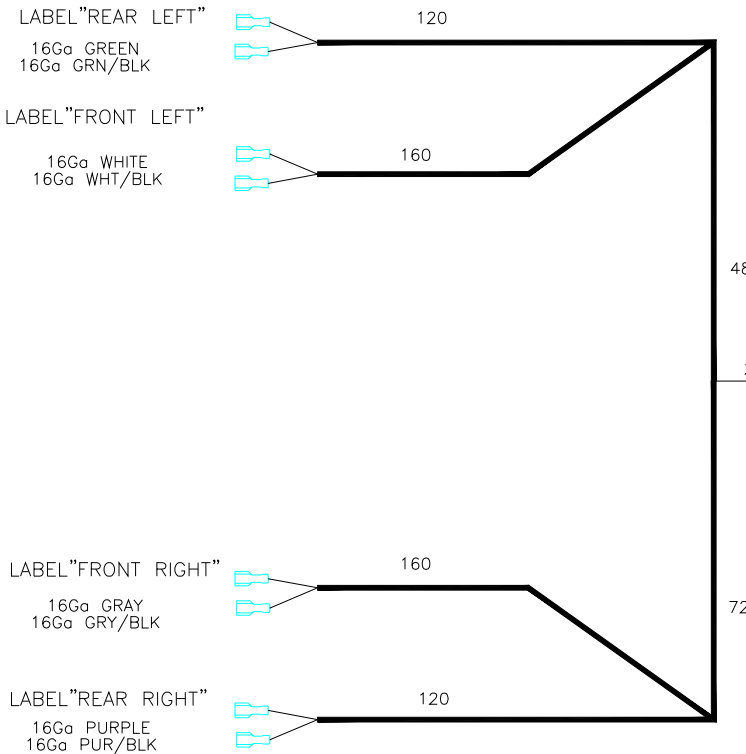
DUE DATE _____

MODEL ALL MODELS

DESCRIPTION HARNES DECK INFINTY STEREO

NOTES:

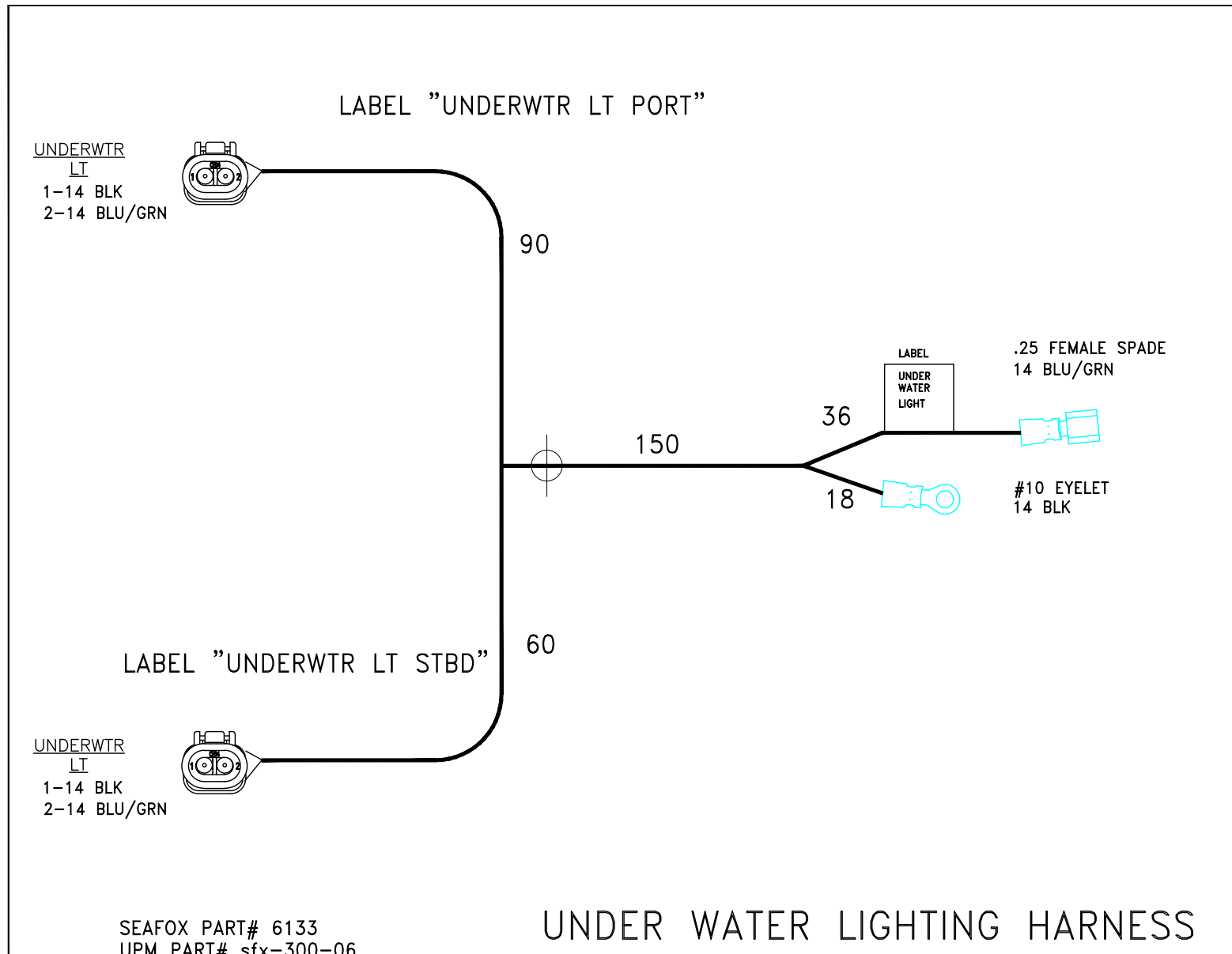
 = NON-INS 1/4" FEM. QUICK CONNECTOR
W/ DBL-WALL SHRINK



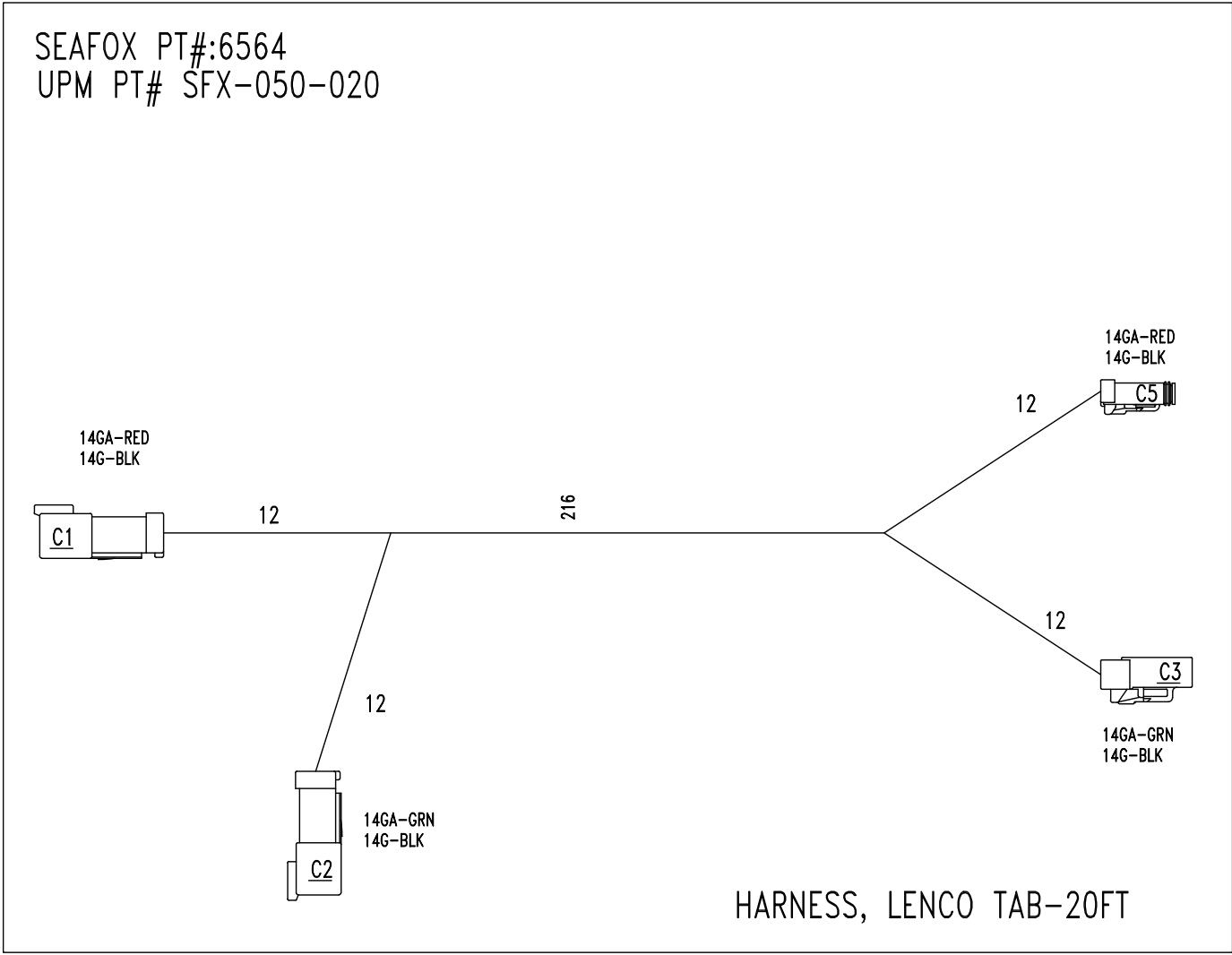
B - 12WAY ML-II PLUG

1	----
2	----
3	16Ga GREEN
4	16Ga GRN/BLK
5	16Ga GRAY
6	16Ga GRY/BLK
7	16Ga PURPLE
8	16Ga PUR/BLK
9	----
10	16Ga WHITE
11	16Ga WHT/BLK
12	----

HARNES UNDERWATER LIGHT W/DEUTSCH (P/N 6133) – OPTIONAL



HARNES TRIMTAB ELECTRIC 20 FT Lenco (P/N 6564) – OPTIONAL



This Page Intentionally Left Blank



This Page Intentionally Left Blank

This Page Intentionally Left Blank



This Page Intentionally Left Blank

This Page Intentionally Left Blank



This Page Intentionally Left Blank



Sea Fox Boat Company, Inc.
2550 Highway 52
Moncks Corner, SC 29461-5024

Telephone: 843-761-6090
www.seafoxboats.com

Ken Cook Co.
Printed in U.S.A.
Rev 0719